

# Parts Manual

2N-2410 & 2N-3010  
**Folding No-Till Drill**  
1995+

# Great Plains

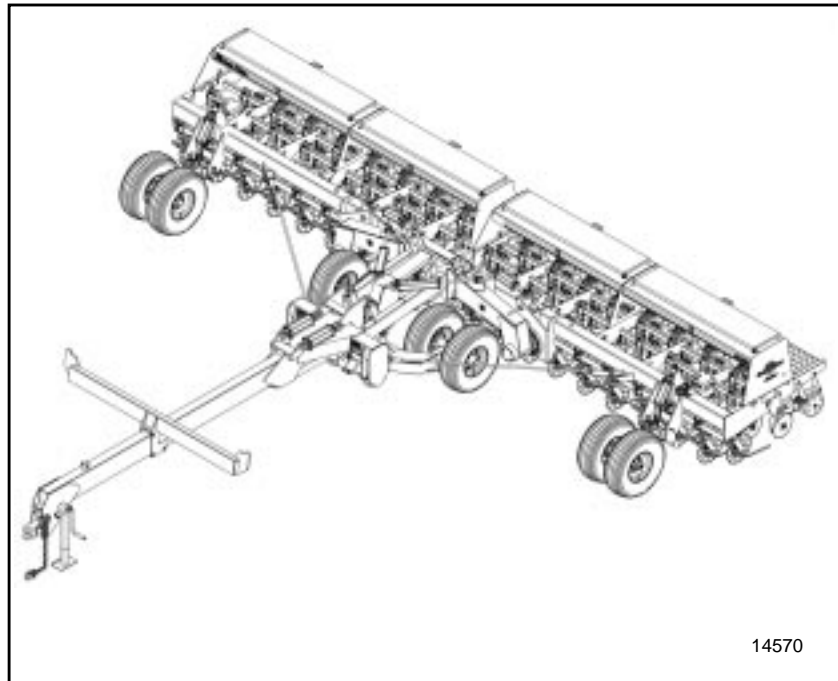
Manufacturing, Inc.

P.O. Box 5060 • Salina, Kansas 67402-5060



Read the Operator's manual entirely. When you see this symbol, the subsequent instructions and warnings are serious - follow without exception. Your life and the lives of others depend on it!

# Great Plains



*Cover illustration may show optional equipment not supplied with standard unit.*

# Table of Contents

<b>Section 1 Introduction</b> .....	<b>1-1</b>	3" x 14" Peaked Press Wheel (S/N C1658+ 24' Drills and S/N D1839+ 30' Drills)	8-3
<b>General Information</b> .....	<b>1-1</b>	3" x 13" "V" Crown Press Wheel (S/N C1657- 24' Drills and S/N D1838- 30' Drills)	8-5
Revisions .....	1-1	3" x 13" "V" Crown Press Wheel (S/N C1658+ 24' Drills and S/N D1839+ 30' Drills)	8-7
Touch-up Paint and Manual Information .....	1-1	2" x 13" Smooth Crown Press Wheel	
Replacement Hardware .....	1-1	(S/N C1657- 24' Drills and S/N D1838- 30' Drills)	8-9
Part Number Service Coding .....	1-2	2" x 13" Smooth Crown Press Wheel	
Part Number Index .....	1-3	(S/N C1658+ 24' Drills and S/N D1839+ 30' Drills)	8-11
<b>Section 2 Frames</b> .....	<b>2-1</b>	1" x 12" Double Press Wheel .....	8-13
Hitch and Carrier to Tongue .....	2-1		
Rotating Square Jack (116-065K) .....	2-3		
Rotating Square Hammerblow Jack (890-610C) .....	2-5		
Rotating Square Jack (890-610C) .....	2-7		
<b>Section 3 Transport</b> .....	<b>3-1</b>	<b>Section 9 Hydraulics</b> .....	<b>9-1</b>
Transport Lift and Axle .....	3-1	Fold Hydraulics (S/N C1692- 24' Drills S/N D1904- 30' Drills) .....	9-1
Transport Tire and Hub .....	3-3	Fold Hydraulics (S/N C1693+ 24' Drills S/N D1905+ 30' Drills) .....	9-3
Toolbars .....	3-5	Hydraulic Controls .....	9-5
<b>Section 4 Boxes</b> .....	<b>4-1</b>	Raise-To-Fold Hydraulics (S/N C1692- 24' Drills S/N D1904- 30' Drills) .....	9-7
Box Frames to Toolbar .....	4-1	Raise-To-Fold Hydraulics (S/N C1693+ 24' Drills S/N D1905+ 30' Drills) .....	9-9
Box and Walkboard .....	4-3	Transport Axle and Gauge Wheel Hydraulics .....	9-11
Weight Bracket (Option) .....	4-5	<i>This Depth Stop has been updated with a Depth Stop Field Update.</i>	
Seed Level Indicator .....	4-7	<i>Refer to page 9-17 and page 9-23. See your Great Plains Dealer for a complete Depth Stop Update.</i>	9-11
Lights (S/N C1001-C1732 24' Drills S/N D1001-D1953 30' Drills) .....	4-9	Transport Axle and Gauge Wheel Hydraulics	
Lights (S/N C1733+ 24' Drills S/N D1954+ 30' Drills) .....	4-11	(S/N C1692- 24' Drills S/N D1904- 30' Drills) .....	9-13
Seed Box Agitator (Option) .....	4-13	Transport Axle and Gauge Wheel Hydraulics	
Small Seeds Box (Option) .....	4-15	(S/N C1693+ 24' Drills S/N D1905+ 30' Drills) .....	9-15
24' Small Seeds Box Mounting (Option) .....	4-17	Delay Valve and Plumbing (S/N C1692- 24' Drills S/N D1904- 30' Drills) .....	9-17
30' Small Seeds Box Mounting (Option) .....	4-19	Transport Lockup Hydraulics .....	9-19
<b>Section 5 Metering</b> .....	<b>5-1</b>	Depth Stop .....	9-21
Seed Rate Handle .....	5-1	<i>This Depth Stop has been updated with a Depth Stop Field Update.</i>	
Feeder Cup Channel .....	5-3	<i>Refer to page 9-17 and page 9-23. See your Great Plains Dealer for a complete Depth Stop Update.</i>	9-21
Feeder Cup Spacing .....	5-5	Depth Stop .....	9-23
Feeder Cup Spacing .....	5-7	Midway Hydraulic Cylinder (810-392C) .....	9-25
Feeder Cup Spacing .....	5-9	Midway Hydraulic Cylinder (810-221C) .....	9-27
Shaft Monitor (Option) .....	5-11	Midway Hydraulic Cylinder (810-393C) .....	9-29
Small Seeds Metering (Option) .....	5-13	Midway Hydraulic Cylinder (810-218C) .....	9-31
<b>Section 6 Drives</b> .....	<b>6-1</b>	Midway Hydraulic Cylinder (810-395C) .....	9-33
Drive .....	6-1	Midway Hydraulic Cylinder (810-222C) .....	9-35
Drive With Electric Clutch (S/N C1852 + 24' Drills & D2184 + 30' Drills) .....	6-3	Midway Hydraulic Cylinder (810-394C) .....	9-37
Gauge Wheel Drive (S/N C1692- 24' Drills and D1904- 30' Drills) .....	6-5	Midway Hydraulic Cylinder (810-123C) .....	9-39
Gauge Wheel Drive		Midway Hydraulic Cylinder (810-219C) .....	9-41
(S/N C1693- C1851 24' Drills and S/N D1905- D2183 30' Drills) .....	6-7	Hydraulic Cylinder (810-240C) .....	9-43
Gauge Wheel Drive (S/N C1852 - C1865 24' Drills & D2184 - D2218 30' Drills) .....	6-9	Midway Hydraulic Cylinder (810-216C) .....	9-45
Gauge Wheel Drive (S/N C1866+ 24' Drills & D2219+ 30' Drills) .....	6-11	Midway Hydraulic Cylinder (810-215C) .....	9-47
Electric Clutch Console & Harness .....	6-13	Midway Hydraulic Cylinder (810-217C) .....	9-49
Jaw Clutch With Zerks .....	6-15	Midway Hydraulic Cylinder (810-220C) .....	9-51
Gauge Wheel (S/N C1692- 24' Drills and D1904- 30' Drills) .....	6-17	Midway Hydraulic Cylinder (810-201C) .....	9-53
Gauge Wheel (S/N C1693+ 24' Drills and D1905+ 30' Drills) .....	6-19	Hydraulic Shut-Off Valve (810-084C) .....	9-55
Gauge Wheel (Continued) .....	6-21	Stroke Control Valve (810-445C) .....	9-57
Gauge Wheel Mud Guard .....	6-23	Valve Manifold (810-237C) .....	9-59
Gearbox to Box Frame .....	6-25	Seal Kits for Depth Control Valve .....	9-61
Gearbox (890-282C) .....	6-27	<b>Section 10 Decals</b> .....	<b>10-1</b>
Agitator Drive (Option) .....	6-29	Decal Placement .....	10-1
Small Seeds Jackshaft Drive (Option) .....	6-31	Small Seeds Decal Placement (Option) .....	10-3
Small Seeds Drive (Option) .....	6-33	<b>Section 11 Markers</b> .....	<b>11-1</b>
Small Seeds Coupler (Option) .....	6-35	30' Drill Flat Fold Marker .....	11-1
<b>Section 7 Openers</b> .....	<b>7-1</b>	24' Drill Flat Fold Marker .....	11-3
Coulter (24' Drills S/N C1859- & 30' Drills S/N D2201-) .....	7-1	Marker Disk and Bearings .....	11-5
Coulter (24' Drills S/N C1860+ & 30' Drills S/N D2202+) .....	7-3	Single Marker Hydraulics .....	11-7
Grease Bank .....	7-5	Dual Marker Hydraulics .....	11-9
Parallel Arm Opener (S/N D1928- 30' Drills and S/N C1709- 24' Drills) .....	7-7	Midway Hydraulic Cylinder (810-118C) .....	11-11
Parallel Arm Opener (S/N D1928+ 30' Drills and S/N C1709+ 24' Drills) .....	7-9	Marker Sequence Valve (810-197C) .....	11-13
5" & 6" Seed-Lok, (Option) .....	7-11	<b>Section 12 Harrows</b> .....	<b>12-1</b>
Small Seeds Hose Retainer (Option) .....	7-13	Harrow .....	12-1
Small Seeds Y-Tube Drop (Option) .....	7-15	<b>Section 13 Drill Boom</b> .....	<b>13-1</b>
Coulter Tire (Option) .....	7-17	Drill Boom Mounting .....	13-1
<b>Section 8 Press Wheels</b> .....	<b>8-1</b>	Drill Boom Plumbing .....	13-3
3" x 14" Peaked Press Wheel (S/N C1657- 24' Drills and S/N D1838- 30' Drills) .....	8-1	Ball Valve .....	13-5
		Spraying Systems Check Valve (829-089C) .....	13-7
		<b>Section 14 Miscellaneous</b> .....	<b>14-1</b>
		Auxiliary Axle .....	14-1

© Copyright 2000 All rights Reserved

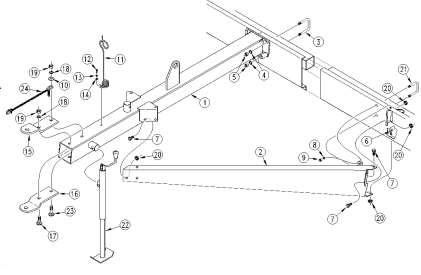
Great Plains Manufacturing, Inc. provides this publication "as is" without warranty of any kind, either expressed or implied. While every precaution has been taken in the preparation of this manual, Great Plains Manufacturing, Inc. assumes no responsibility for errors or omissions. Neither is any liability assumed for damages resulting from the use of the information contained herein. Great Plains Manufacturing, Inc. reserves the right to revise and improve its products as it sees fit. This publication describes the state of this product at the time of its publication, and may not reflect the product in the future. The illustrations in this manual are not intended for safe and proper assembly or disassembly of equipment. The illustrations are intended for ordering parts only.

Great Plains Manufacturing, Incorporated Trademarks

The following are trademarks of Great Plains Mfg., Inc.: Application Systems, Ausherman, Land Pride, Great Plains

All other brands and product names are trademarks or registered trademarks of their respective holders.

Printed in the United States of America.

Section Number & Description	Serial Number Break	Illustration Page	Parts Page
<p>Section 2 Frames  <b>Tongue &amp; Pull Bar (S/N 00000-)</b>                      Great Plains Mfg., Inc.</p> <p><b>Illustration Heading</b></p>  <p><b>Illustration</b></p> <p>10207</p> <p>2-1 EWD13 13' End Wheel Drill 175-083P 5/21/98</p> <p><b>Left Page Number</b></p> <p><b>Manual Name &amp; Number</b></p> <p><b>New or Modification Date</b></p>			<p>Great Plains Mfg., Inc. Section 2 Frames  <b>Tongue &amp; Pull Bar (S/N 00000-)</b></p> <p><b>Parts List</b></p> <ol style="list-style-type: none"> <li>177-001H 13' END WHEEL TONGUE WELDMENT</li> <li>177-004H PULL BAR WELDMENT LH</li> <li>177-005H PULL BAR WELDMENT RH</li> <li>806-032C U-BOLT 5/8-11 X 3 17/32 UNEVEN</li> <li>804-022C WASHER LOCK SPRING 5/8 PLT</li> <li>803-021C NUT HEX 5/8-11 PLT</li> <li>802-183C RHSNB 1/2-13X1 GR5</li> <li>802-083C HFSS 1/2-13X1 1/4 GR8</li> <li>804-015C WASHER LOCK SPRING 1/2 PLT</li> <li>803-020C NUT HEX 1/2-13 PLT</li> <li>177-587D SAFETY CHAIN WASHER</li> <li>807-023C SPRING HOSE LOOP</li> <li>801-028C SCREW HEX 3/8-16X1 TYPE F</li> <li>804-013C WASHER LOCK SPRING 3/8 PLT</li> <li>804-012C WASHER FLAT 3/8 SAE PLT</li> <li>177-009D CLEVIS HITCH TOP HALF</li> <li>177-008D CLEVIS HITCH BOTTOM HALF</li> <li>802-177C RHSNB 3/4-10X2 1/2 GR5</li> <li>804-023C WASHER LOCK SPRING 3/4 PLT</li> <li>803-027C NUT HEX 3/4-10 PLT</li> <li>803-037C NUT HEX WHIZ 1/2-13 PLT</li> <li>806-028C U-BOLT 1/2-13 X 3 17/32 X4 3/4</li> <li>890-118C SCREW JACK 2000#</li> <li>802-289C RHSNB 3/4-10X3 GR5</li> <li>890-182C SAFETY CHAIN 10000 LB</li> </ol> <p>7/1/98 EWD13 13' End Wheel Drill 175-083P 2-2</p> <p><b>Right Page Number</b></p>

## General Information

### Revisions

Please refer to the date at the bottom of each page for the most current version of the equipment. Serial number breaks are at the top of the page at the end of the illustration heading, refer to the illustration above.

### Touch-up Paint and Manual Information

Repaint parts where paint is worn or scratched to prevent rust. Aerosol touch-up paint is available. To order use Great Plains part numbers below:

- GP Green . . . . .821-001C
- GP Black . . . . .821-002C
- GP Beige . . . . .821-003C
- GP Buckskin . . . . .821-004C
- LP Beige . . . . .821-011C
- LP Black . . . . .821-032C

Replacement manuals available. Use Great Plains part 196-126P.

### Replacement Hardware

All bolts and nuts are grade 5 unless otherwise noted. The use of improper grades of hardware can result in personal injury, damage to equipment, or loss of property. See **“Hardware Legend”** on page 1-2, for hardware abbreviations used within all parts lists.

## Hardware Legend

AR	As Required
BLADE	Blade Bolt
C	Cap Screw
CP	Cotter Pin
CPHSSS	Cup Point Hex Socket Set Screw
CPSHSS	Cup Point Square Head Set Screw
CPSQHSS	Cup Point Square Head Set Screw
CRFCHMS	Cross Recess Flat Countersunk Head Mach. Screw
CRPHMS	Cross Recess Pan Head Machine Screw
CRPHTFS	Cross Recess Pan Head Thread Forming
CRRHMS	Cross Recess Round Head Machine Screw
CRTHMS	Cross Recess Truss Head Machine Screw
CSNB	Countersunk Square Neck Bolt
FHMS	Flat Head Machine Screw
FTC	Full Thread Cap Screw
H	Hex Nut
HCLN	Hex Center Lock Nut
HFLCS	Hex Flange Lock Cap Screw
HFS	Hex Flange Screw
HFSLN	Hex Flange Serrated Lock Nut
HFSS	Hex Flange Serrated Screw
HHCS	Hex Head Cap Screw or Metric Bolt
HSBHCS	Hex Socket Button Head Cap Screw
HSFCHCS	Hex Socket Flat Countersunk Head Cap Screw
HSHCS	Hex Socket Head Cap Screw
HSSS	Hex Socket Head Screw
HTLN	Hex Top Lock Nut
HWHCS	Hex Washer Head Cap Screw

HWHMS	Hex Washer Head Machine Screw
HXBHCS	Hex Socket Button Head Cap Screw
J	Hex Jam Nut
JIC	37 Degree Tapered Thread
L	Helical Spring Lock Washer
LUG	Lug Bolt
NFC	National Fine Cap Screw
NPSM	National Pipe Straight Mechanical
NPTF	National Pipe Taper Fuel
P	Wide Plain Washer
PHMS	Pan Head Machine Screw
PLOW	Plow Bolt
RHMS	Round Head Machine Screw
RHSNB	Round Head Square Neck Bolt
SCREW LEVELING	Leveling Screw
SCREW THUMB	Thumb Screw
SCREW WELD	Weld Screw
SFCHMS	Slotted Flat Countersunk Head Machine Screw
SFHMS	Slotted Fillister Head Machine Screw
SP	Special
SP SCREW	Special Screw
SQHSS	Square Head Set Screw
SRHMS	Slotted Round Head Machine Screw
SSS	Socket Set Screw
STCS	Self Tapping Cap Screw
STHMS	Slotted Truss Head Machine Screw
WHEEL	Wheel Studs and Hub Long Bolts
WING	Wing Bolt

## Part Number Service Coding

Within the following parts lists some part numbers are coded for revisions and interchangeability.

### Legend:

Newest serial numbers are listed first.

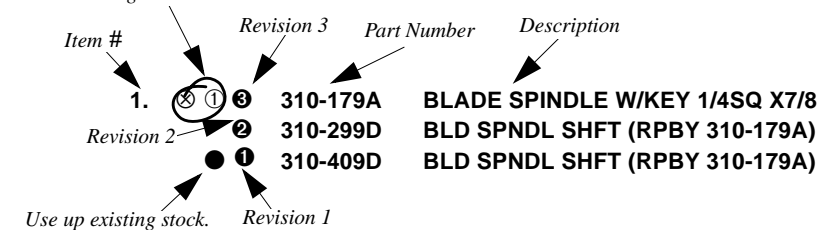
**Bold face type indicates parts that are serviced. These parts are considered interchangeable, if it supersedes another part, unless otherwise noted.**

### Example:

- (S/N 20001+) Includes serial numbers 20001 and above (to the newest numbers)
- (S/N 10001↔20000) Includes serial numbers between and including 10001 and 20000
- (S/N 10000-) Includes serial numbers 10000 and below (to the oldest number)

- ① First revision, e.g.; ② is 2nd revision, ③ is 3rd revision, etc.  
(Greater numbers are the newest.)
- The existing stock for this part should be used up before ordering the new part.
- ⊗ Not interchangeable
- ⊗①② Revision 2 is not interchangeable w/1

Not interchangeable with revision 1



**Part Number Index**

<b>Part Number</b>	<b>Page</b>	<b>Part Number</b>	<b>Page</b>	<b>Part Number</b>	<b>Page</b>	<b>Part Number</b>	<b>Page</b>
1042	11-14	10-80054	2-8	113-379D	11-4	118-466D	5-10
1099	11-14	10-80147	2-8	113-381H	11-2	118-466D	5-6
1179	11-14	102-005K	14-2	113-381H	11-4	118-466D	5-8
1180	11-14	107-111D	7-10	113-382H	11-2	118-467D	5-6
1182	11-14	107-111D	7-8	113-382H	11-4	118-467D	5-8
1211	11-14	107-113D	7-10	113-398D	11-2	118-468D	5-10
1217	11-14	107-113D	7-8	113-398D	11-4	118-468D	5-6
1218	11-14	107-133S	7-10	113-555D	11-2	118-468D	5-8
2153	11-14	107-134A	7-10	113-555D	11-4	118-469D	5-6
3089	11-14	1087-250	11-14	1132-05	11-14	118-469D	5-8
5396	9-58	1087-437	11-14	1132-08	11-14	118-470D	5-10
5397	9-58	1088-011	11-14	115-0159-661	5-12	118-470D	5-6
005860.130	13-8	1088-905	11-14	116-037H	2-4	118-471D	5-6
005865.036	13-8	1088-906	11-14	116-038H	2-4	118-472D	5-10
8062	9-58	1088-908	11-14	116-042H	2-4	118-474D	5-6
20030	13-8	1089-011	11-14	116-055D	2-4	118-474H	4-8
106399	4-10	109-025H	5-2	116-061H	2-4	118-475D	5-6
197812	9-56	109-031D	6-32	116-062D	2-4	118-476D	5-8
198509	9-56	109-069D	5-2	116-062H	12-2	118-477D	5-8
198581	9-56	109-091D	5-10	116-064D	2-4	118-478D	5-10
199098	9-56	109-091D	5-2	116-064H	12-2	118-479D	5-10
400020.030	13-8	109-091D	5-6	116-065D	2-4	118-480D	5-8
491509	9-56	109-091D	5-8	116-065H	12-2	118-481D	5-8
492544	9-56	1092-6	11-14	116-066D	2-4	118-482D	5-10
494665	9-56	113-008H	4-18	116-068D	2-4	118-483D	5-10
510334	6-28	113-030H	4-20	116-069D	2-4	118-484D	5-10
770119	6-28	113-164D	12-2	116-114D	12-2	118-484D	5-8
772131	6-28	113-180H	11-2	116-116D	12-2	118-493D	4-14
776368	6-28	113-180H	11-4	116-125H	12-2	118-494D	4-14
776369	6-28	113-188H	11-2	116-126H	12-2	118-498D	4-8
776370	6-28	113-188H	11-4	116-127H	12-2	118-499D	4-14
778163	6-28	113-197H	11-2	116-128H	12-2	118-500D	4-14
778211	6-28	113-197H	11-4	116-176D	12-2	118-501D	6-30
778273	6-28	113-200H	11-2	116-182D	5-12	118-508D	5-4
778319	6-28	113-200H	11-4	116-183D	12-2	119-032D	12-2
780072	6-28	113-248D	11-2	116-186D	12-2	119-032D	4-4
780090	6-28	113-248D	11-4	116-193H	13-2	119-153D	4-4
780095	6-28	113-311D	11-2	116-197H	13-2	119-154D	4-4
780108	6-28	113-311D	11-4	116-213D	13-2	119-190D	4-18
784312	6-28	113-312D	11-2	116-214D	13-2	119-190D	4-20
784371	6-28	113-312D	11-4	116-216D	13-4	119-190D	4-4
784372	6-28	113-313D	11-2	116-217D	13-4	119-208D	12-2
786088	6-28	113-313D	11-4	116-218D	13-4	119-208D	4-4
788069	6-28	113-316H	11-2	116-219D	13-2	119-230H	4-4
792017	6-28	113-316H	11-4	116-220D	13-2	119-231H	4-4
792139	6-28	113-319D	11-2	116-222D	13-2	119-251H	4-4
792142	6-28	113-323D	11-2	118-226S	5-4	119-252H	4-4
792145	6-28	113-323D	11-4	118-336D	5-4	119-253H	4-4
792159	6-28	113-324D	11-2	118-340D	5-10	119-211D	4-4
30102629	9-60	113-324D	11-4	118-340D	5-6	120-198D	6-8
34952067	9-60	113-325D	11-2	118-340D	5-8	120-212H	6-6
39680008	9-60	113-325D	11-4	118-340D	5-8	120-212H	6-8
51000127	9-22	113-328D	11-4	118-341D	5-4	120-218K	6-22
51000128	9-22	113-341H	11-2	118-346D	5-10	120-237D	6-26
51000144	9-22	113-342H	11-4	118-346D	5-6	120-198D	6-10
61010001	9-60	113-343H	11-2	118-346D	5-8	120-198D	6-12
61010012	9-60	113-344H	11-4	118-346D	5-8	120-212H	6-10
62010018	9-60	113-345H	11-6	118-346D	5-8	120-212H	6-12
62010053	9-60	113-346H	11-6	118-353D	5-10	121-164D	7-10
85002006	9-60	113-350H	11-2	118-353D	5-8	121-164D	7-8
85002335	9-60	113-350H	11-4	118-356D	5-10	122-001D	8-6
85002356	9-60	113-351H	11-2	118-356D	5-8	122-001D	8-2
063-0159-825	5-12	113-351H	11-4	118-372D	5-10	122-041D	8-4
063-0171-101	5-12	113-351H	11-4	118-372D	5-6	122-041D	8-4
10-50057	2-8	113-360S	11-2	118-403D	4-4	122-055S	9-24
10-50058	2-8	113-360S	11-4	118-443H	5-2	122-065D	9-24
10-70020	2-8	113-360S	11-6	118-444H	5-2	122-110D	8-2
10-80012	2-8	113-365H	11-2	118-453D	5-4	122-110D	8-4
10-80028	2-8	113-365H	11-4	118-454D	5-4	122-111D	8-6
		113-370D	2-2	118-464D	5-6	122-114D	8-10
		113-378D	11-2	118-465D	5-6	122-115D	8-10

**Part Number Index**

<b>Part Number</b>	<b>Page</b>	<b>Part Number</b>	<b>Page</b>	<b>Part Number</b>	<b>Page</b>	<b>Part Number</b>	<b>Page</b>
122-115D	8-6	133-013D	4-18	152-376D	6-6	196-196H	2-2
122-115S	8-10	133-013D	4-20	152-376D	6-8	196-197H	2-2
122-116S	8-6	133-016D	4-18	152-379D	9-24	196-248D	3-2
122-117S	8-2	133-016D	4-20	152-380D	9-24	196-287D	9-20
122-117S	8-4	133-017D	4-18	152-387D	6-8	196-301D	3-6
122-124D	8-6	133-017D	4-20	152-389D	6-20	196-316D	3-6
122-125D	8-2	133-020D	6-34	152-390D	6-8	196-317D	3-6
122-188H	8-10	133-030H	6-32	152-391D	6-20	196-318D	3-6
122-188H	8-2	133-001H	4-16	152-190H	6-10	196-321D	4-2
122-188H	8-6	133-002H	4-16	152-190H	6-12	196-342D	4-10
122-189V	8-10	133-003H	4-16	152-191A	6-10	196-343D	4-10
122-192V	8-6	133-004H	4-16	152-278D	6-4	196-357D	3-2
122-198V	8-2	133-005H	4-16	152-284D	6-4	196-358D	9-2
122-198V	8-4	133-006H	4-18	152-290D	6-4	196-358D	9-4
122-202S	8-10	133-006H	4-20	152-372D	6-10	196-360D	9-22
122-202S	8-12	133-065D	7-14	152-372D	6-12	196-362D	10-2
122-202S	8-14	136-090D	6-34	152-387D	6-10	196-373D	14-2
122-202S	8-2	136-109D	6-30	152-387D	6-12	196-374D	14-2
122-202S	8-4	136-112D	6-10	152-390D	6-10	196-380D	9-18
122-202S	8-6	136-112D	6-12	152-390D	6-12	196-383D	9-18
122-202S	8-8	136-116D	6-10	152-411D	6-10	196-126B	10-2
122-002D	8-10	136-116D	6-12	152-411D	6-12	196-209H	4-2
122-114D	8-10	136-122D	6-4	152-411D	6-8	196-210K	4-2
122-120D	7-12	136-136D	6-30	152-418D	6-2	196-211K	4-2
122-151D	7-12	149-006D	7-2	152-418D	6-4	196-272K	3-4
122-158D	8-10	149-021D	7-2	152-497D	6-10	196-273K	3-4
122-173H	7-12	149-059D	7-2	152-497D	6-12	197-010D	7-2
122-190V	8-10	149-537D	7-2	156-014E	4-2	197-053H	4-4
122-191V	8-6	149-549D	7-18	161-126D	3-2	197-054H	4-4
122-201S	7-12	149-550D	7-18	170-033H	2-2	197-055H	4-2
122-231A	7-12	149-021D	7-4	172-206D	6-22	197-056H	4-2
122-233A	8-10	149-059D	7-4	172-330D	6-6	197-057H	4-2
122-242S	7-10	149-537D	7-4	176-041S	6-8	197-058H	4-2
122-242S	7-8	149-558D	7-4	176-065D	6-16	197-061S	4-2
123-004D	6-2	149-559D	7-4	176-066D	6-16	197-062D	4-6
123-004D	6-6	152-040D	5-10	180-078D	3-2	197-062H	4-2
123-004D	6-8	152-040D	5-6	181-038D	3-2	197-063H	4-2
123-299D	7-16	152-074S	6-22	181-038D	6-18	197-064H	4-2
123-306D	7-16	152-091H	6-22	181-038D	6-20	197-065H	4-2
123-385D	6-32	152-109D	6-22	188-001V	7-10	197-089D	4-8
123-474H	6-36	152-133H	6-6	188-001V	7-8	197-091D	4-8
123-521D	7-14	152-134H	6-22	188-001V	8-14	197-094H	4-2
123-525D	6-30	152-179H	9-24	188-003V	6-22	197-096D	4-8
123-525D	6-34	152-190H	6-8	194-070D	2-2	197-107H	4-6
123-526D	6-30	152-191A	6-8	195-069D	6-6	197-111H	4-6
123-526D	6-34	152-259D	6-18	195-112D	4-12	197-168D	4-4
123-527D	6-34	152-259D	6-20	195-165D	4-12	197-194D	7-6
123-529D	6-32	152-260D	6-18	196-098H	9-22	197-219D	4-2
123-533D	6-32	152-262D	6-6	196-112D	2-2	197-231D	4-4
123-534D	6-32	152-262D	6-8	196-112D	3-6	197-232D	4-4
123-004D	6-10	152-263D	6-22	196-112D	4-2	197-239D	6-26
123-004D	6-12	152-266D	6-6	196-128H	3-2	197-240D	6-26
123-004D	6-4	152-266D	6-8	196-130H	2-2	197-010D	7-4
123-050H	5-14	152-267D	6-6	196-131H	2-2	197-164H	6-22
123-113D	5-14	152-268D	6-6	196-132H	2-2	197-226D	6-4
123-116D	5-14	152-269D	6-6	196-133H	2-2	197-265D	4-2
123-118D	4-16	152-270D	6-6	196-134H	2-2	197-266D	4-2
123-190D	5-14	152-271D	6-6	196-135H	4-2	197-267D	4-2
123-399D	5-14	152-272D	6-6	196-136H	2-2	197-278D	6-22
123-400D	5-14	152-274D	6-6	196-137H	3-6	197-278D	6-30
123-401D	5-14	152-278D	6-2	196-142H	4-2	197-278D	6-34
123-402D	5-14	152-282D	6-18	196-142H	6-22	198-089H	7-10
123-410D	5-14	152-282D	6-20	196-145V	3-2	198-089H	7-8
123-471H	4-16	152-283D	6-6	196-146K	3-2	198-090H	7-10
123-472H	4-16	152-283D	6-8	196-165A	9-6	198-090H	7-8
123-473H	5-14	152-290D	6-2	196-177H	3-2	198-127D	7-10
123-476H	5-14	152-372D	6-6	196-179H	9-18	198-127D	7-8
133-007H	4-18	152-372D	6-8	196-181H	9-18	198-128D	7-10
133-007H	4-20	152-373D	6-24	196-182H	9-18	198-128D	7-8
133-008H	6-32	152-374D	6-24	196-185H	9-24	198-134D	7-10



**Part Number Index**

<b>Part Number</b>	<b>Page</b>	<b>Part Number</b>	<b>Page</b>	<b>Part Number</b>	<b>Page</b>	<b>Part Number</b>	<b>Page</b>
198-134D	7-8	2A0006	9-30	2A0132	9-50	4M5102	9-50
198-137D	8-10	2A0006	9-32	2A0132	9-52	4M6108	9-46
198-137D	8-12	2A0006	9-34	2A0202	9-54	4M7108	9-48
198-137D	8-14	2A0006	9-36	2A0206	9-34	4M7502	9-52
198-137D	8-2	2A0006	9-38	2A0206	9-36	4R4110	9-34
198-137D	8-4	2A0006	9-40	2A0206	9-38	4R5108	9-36
198-137D	8-6	2A0006	9-42	2A0206	9-40	4R5110	9-38
198-137D	8-8	2A0006	9-46	2A0206	9-42	4R6108	9-28
198-139D	7-10	2A0006	9-48	2A0208	11-12	4R6108	9-40
198-139D	7-8	2A0006	9-50	2A0208	9-34	4R6110	9-26
198-140D	7-10	2A0006	9-52	2A0208	9-36	4R7108	9-32
198-140D	7-8	2A0012	11-12	2A0208	9-38	4R7110	9-30
198-173D	7-8	2A0012	11-12	2A0208	9-42	5M1103	9-54
198-174D	7-8	2A0012	9-26	2A0208	9-46	5M3128	11-12
198-179D	7-8	2A0012	9-28	2A0208	9-48	5M5116	9-50
198-210D	7-10	2A0012	9-30	2A0208	9-50	5M5124	9-42
198-260H	7-8	2A0012	9-32	2A0208	9-52	5M6124	9-46
198-261H	7-8	2A0012	9-34	2A0209	9-26	5M7116	9-52
198-262H	7-8	2A0012	9-36	2A0209	9-30	5M7524	9-48
198-409H	7-10	2A0012	9-38	2A0209	9-32	5R4320	9-34
198-436H	7-10	2A0012	9-40	2A0209	9-40	5R5120	9-36
198-437H	7-10	2A0012	9-42	2A0209	9-48	5R5320	9-38
198-438H	7-10	2A0012	9-46	2A0209	9-52	5R6120	9-28
198-439H	7-10	2A0012	9-48	2A0235-6	9-44	5R6120	9-40
198-444A	7-10	2A0012	9-50	2A0236-10	9-44	5R6320	9-26
198-445A	7-10	2A0012	9-52	2A0246-16	9-44	5R7120	9-32
198-446A	7-10	2A0014	9-54	2A0308-1	9-44	5R7320	9-30
198-215D	4-4	2A0016	9-42	2A0582-2100	9-44	6M1108	9-54
199-025D	8-10	2A0016	9-50	2H-200GP	2-8	6M3128	11-12
199-025D	8-2	2A0018	9-36	2H-30080	2-8	6R3162	9-42
199-025D	8-6	2A0018	9-38	2H-30081	2-8	6R3164	9-50
199-030D	8-4	2A0018	9-46	2H-300GP	2-8	6R4162	9-34
1D0011-1812	9-44	2A0018	9-54	2M1190	9-54	6R5162	9-36
1D0210-2125	9-44	2A0019	9-26	2M3326	11-12	6R5162	9-38
1D1161-26	9-44	2A0019	9-28	2M5514	9-50	6R5164	9-46
1D1209-8	9-44	2A0019	9-30	2M5690	9-42	6R6162	9-40
1D1401-400	9-44	2A0019	9-32	2M6522	9-34	6R6164	9-26
1D1582-16300	9-44	2A0019	9-34	2M6522	9-38	6R6164	9-28
1M6006	11-12	2A0019	9-40	2M6524	9-46	6R6164	9-52
1M7016	9-46	2A0019	9-48	2M6820	9-36	6R7164	9-30
1M7016	9-48	2A0019	9-52	2M7514	9-52	6R7164	9-32
1M7016	9-50	2A0022	11-12	2M7520	9-28	6R7164	9-48
1M7016	9-52	2A0024	9-26	2M7520	9-32	778123A	6-28
1M7018	9-26	2A0024	9-28	2M7520	9-40	778124A	6-28
1M7018	9-28	2A0024	9-30	2M7522	9-48	778126A	6-28
1M7018	9-30	2A0024	9-32	2M7622	9-26	778127A	6-28
1M7018	9-32	2A0024	9-34	2M7622	9-30	778146A	6-28
1M7018	9-34	2A0024	9-36	310-331D	6-6	780105A	6-28
1M7018	9-36	2A0024	9-38	313-076S	4-4	788051A	6-28
1M7018	9-38	2A0024	9-40	313-176D	4-4	788067B	6-28
1M7018	9-40	2A0024	9-42	313-186D	4-4	788078A	6-28
1M7018	9-42	2A0024	9-46	3C4549	9-44	792073A	6-28
20-20028	2-8	2A0024	9-48	3M1108	9-54	7M1302	9-54
200-001D	14-2	2A0024	9-50	3M3310	11-12	7M3328	11-12
200-001D	7-2	2A0024	9-52	3R3512	9-50	7M5316	9-50
200-002D	7-2	2A0079-616	9-44	3R3612	9-42	7M5324	9-42
200-002S	7-2	2A0126	9-46	3R4912	9-34	7M6320	9-36
200-006D	3-4	2A0126	9-50	3R5812	9-36	7M6320	9-38
200-001D	7-4	2A0130	9-54	3R5912	9-38	7M6324	9-46
200-039V	7-4	2A0132	11-12	3R5912	9-46	7M7316	9-52
204-075H	7-2	2A0132	9-26	3R6912	9-28	7M7320	9-26
204-107D	7-2	2A0132	9-30	3R6912	9-40	7M7320	9-28
204-272D	7-4	2A0132	9-32	3R6912	9-52	7M7320	9-30
206-021D	7-12	2A0132	9-34	3R7012	9-26	7M7320	9-32
248-251D	10-2	2A0132	9-36	3R7512	9-32	7M7320	9-34
249-050S	7-4	2A0132	9-38	3R7512	9-48	7M7320	9-40
249-051H	7-4	2A0132	9-40	3R7612	9-30	7M7324	9-48
2A0006	11-12	2A0132	9-42	4M1102	9-54	800-001C	11-2
2A0006	9-26	2A0132	9-46	4M3102	11-12	800-001C	11-4
2A0006	9-28	2A0132	9-48	4M5102	9-42	800-001C	3-2

**Part Number Index**

<b>Part Number</b>	<b>Page</b>	<b>Part Number</b>	<b>Page</b>	<b>Part Number</b>	<b>Page</b>	<b>Part Number</b>	<b>Page</b>
800-001C	7-2	801-035C	5-6	802-060C	8-2	802-282C	6-30
800-003C	5-2	801-035C	5-8	802-065C	3-6	802-282C	6-34
800-004C	5-4	801-045C	4-8	802-069C	3-4	802-300C	6-26
800-008C	7-10	801-052C	2-4	802-070C	9-24	802-317C	2-2
800-008C	7-16	801-052C	2-8	802-078C	6-20	802-333C	3-6
800-008C	7-8	801-057C	5-4	802-078C	6-32	802-387C	4-4
800-009C	7-10	801-059C	6-6	802-079C	12-2	802-411C	4-4
800-009C	7-8	801-059C	6-8	802-079C	4-18	802-417C	11-10
800-013C	6-32	801-076C	6-26	802-079C	4-20	802-420C	7-10
800-015C	2-4	801-115C	8-10	802-079C	4-4	802-420C	7-8
800-029C	7-14	801-115C	8-2	802-079C	6-22	802-421C	8-10
800-029C	7-16	801-115C	8-6	802-082C	7-2	802-421C	8-12
800-038C	6-22	801-001C	5-14	802-091C	4-18	802-421C	8-14
800-042C	2-4	801-003C	4-16	802-091C	4-20	802-421C	8-2
800-046C	2-4	801-005C	6-4	802-092C	4-14	802-421C	8-4
800-046C	2-8	801-035C	5-14	802-092C	4-4	802-421C	8-6
800-058C	3-2	801-059C	6-10	802-092C	6-32	802-421C	8-8
800-058C	6-16	801-059C	6-12	802-097C	9-22	802-425C	4-4
800-058C	6-22	801-084C	7-12	802-099C	14-2	802-426C	4-2
800-064C	4-12	801-141C	7-12	802-100C	7-18	802-448C	4-14
800-082C	11-10	801-154C	4-8	802-100C	7-2	802-449C	7-10
800-082C	11-8	802-002C	9-24	802-103C	7-2	802-449C	7-8
800-082C	9-18	802-004C	5-4	802-104C	14-2	802-474C	9-2
800-101C	4-8	802-004C	6-8	802-104C	6-22	802-474C	9-4
800-107C	5-4	802-004C	7-6	802-110C	2-2	802-616C	9-24
800-121C	4-4	802-005C	6-36	802-115C	11-2	802-617C	8-12
800-130C	7-6	802-005C	6-6	802-115C	11-4	802-618C	8-8
800-141C	6-26	802-005C	8-14	802-125C	11-6	802-640C	6-8
800-141C	6-30	802-007C	4-2	802-126C	7-18	802-004C	10-2
800-141C	6-34	802-007C	5-12	802-138C	12-2	802-012C	13-4
800-148C	4-10	802-007C	5-2	802-143C	9-18	802-017C	7-12
800-148C	5-12	802-010C	3-6	802-147C	7-10	802-039C	6-4
800-149C	4-10	802-010C	4-2	802-147C	7-8	802-039C	6-4
800-149C	4-12	802-013C	8-10	802-151C	8-6	802-058C	8-10
800-149C	5-12	802-014C	11-14	802-152C	3-2	802-058C	8-14
800-156C	7-2	802-014C	5-2	802-152C	6-18	802-078C	4-16
800-156C	7-6	802-014C	5-4	802-152C	6-20	802-078C	5-14
800-157C	7-2	802-014C	6-32	802-152C	9-18	802-078C	6-22
800-157C	7-6	802-015C	7-10	802-159C	9-18	802-079C	13-2
800-158C	7-6	802-015C	7-8	802-166C	2-2	802-082C	7-4
800-163C	3-2	802-017C	4-10	802-168C	11-2	802-092C	5-14
800-212C	7-10	802-017C	6-24	802-168C	11-4	802-100C	7-4
800-028C	5-14	802-017C	6-6	802-182C	3-4	802-103C	7-4
800-060C	7-14	802-017C	6-8	802-197C	8-2	802-114C	2-6
800-082C	9-16	802-022C	11-2	802-197C	8-4	802-148C	5-14
800-093C	7-12	802-022C	11-4	802-197C	8-6	802-197C	6-4
800-101C	4-16	802-022C	7-18	802-201C	11-2	802-203C	10-2
800-127C	13-4	802-023C	6-24	802-201C	11-4	802-214C	7-4
800-141C	6-22	802-026C	9-24	802-203C	4-12	802-258C	6-10
800-164C	7-4	802-032C	4-18	802-203C	4-4	802-258C	6-12
800-177C	7-4	802-032C	4-20	802-205C	3-2	802-282C	6-4
800-211C	7-4	802-034C	4-18	802-205C	4-4	802-388C	4-4
800-211C	7-6	802-034C	4-20	802-212C	3-2	802-436C	6-30
800-304C	7-14	802-034C	4-4	802-214C	7-2	802-436C	6-34
801-001C	5-2	802-039C	6-2	802-224C	4-12	802-617C	8-10
801-001C	6-26	802-039C	6-30	802-226C	12-2	802-639C	4-2
801-002C	4-10	802-039C	6-32	802-226C	6-34	802-648C	7-10
801-002C	7-10	802-039C	6-34	802-228C	7-10	802-648C	7-8
801-002C	7-14	802-041C	11-4	802-228C	7-8	802-687C	6-10
801-002C	7-8	802-042C	11-2	802-234C	11-2	802-687C	6-12
801-013C	11-2	802-048C	11-2	802-234C	11-4	802-718C	7-4
801-013C	11-4	802-048C	11-4	802-258C	6-6	803-001C	4-8
801-016C	5-10	802-051C	8-14	802-258C	6-8	803-003C	4-8
801-016C	5-12	802-055C	6-30	802-260C	11-2	803-006C	4-10
801-016C	5-6	802-057C	4-6	802-260C	11-4	803-006C	4-12
801-016C	5-8	802-058C	8-12	802-261C	11-2	803-006C	7-6
801-035C	4-14	802-058C	8-8	802-261C	11-4	803-006C	9-18
801-035C	5-10	802-059C	6-22	802-274C	9-24	803-006C	9-22
801-035C	5-2	802-059C	8-10	802-281C	6-22	803-006C	9-24
801-035C	5-4	802-059C	8-4	802-282C	6-2	803-007C	3-2



**Part Number Index**

<b>Part Number</b>	<b>Page</b>	<b>Part Number</b>	<b>Page</b>	<b>Part Number</b>	<b>Page</b>	<b>Part Number</b>	<b>Page</b>
803-007C	6-18	803-027C	4-6	803-001C	6-4	804-009C	6-32
803-007C	6-20	803-029C	14-2	803-006C	5-14	804-009C	6-34
803-007C	8-14	803-029C	3-4	803-007C	4-16	804-009C	9-18
803-008C	4-14	803-029C	7-2	803-008C	6-4	804-009C	9-2
803-008C	4-4	803-031C	2-2	803-013C	2-6	804-009C	9-4
803-008C	5-12	803-031C	3-2	803-014C	13-2	804-010C	12-2
803-008C	5-2	803-032C	4-2	803-014C	4-2	804-010C	4-4
803-008C	6-2	803-032C	4-2	803-014C	6-10	804-011C	11-2
803-008C	6-30	803-032C	6-22	803-014C	6-12	804-011C	11-4
803-008C	6-32	803-034C	2-2	803-019C	6-10	804-011C	4-4
803-008C	6-34	803-034C	4-2	803-019C	6-12	804-011C	7-18
803-008C	9-18	803-034C	4-2	803-020C	7-4	804-012C	12-2
803-008C	9-2	803-034C	6-22	803-021C	7-4	804-012C	4-10
803-008C	9-4	803-035C	5-2	803-023C	6-10	804-012C	4-18
803-011C	11-2	803-035C	6-26	803-023C	6-12	804-012C	4-20
803-011C	11-4	803-036C	11-2	803-023C	6-30	804-012C	5-2
803-011C	3-6	803-036C	11-4	803-023C	6-34	804-012C	5-4
803-011C	4-4	803-036C	6-2	803-029C	7-4	804-012C	6-22
803-013C	11-2	803-036C	6-30	803-032C	4-2	804-012C	6-24
803-013C	11-4	803-036C	6-32	803-035C	5-14	804-012C	6-32
803-014C	12-2	803-036C	6-34	803-036C	6-4	804-012C	6-34
803-014C	4-10	803-046C	4-2	803-048C	7-4	804-012C	7-10
803-014C	4-18	803-048C	7-2	803-049C	7-4	804-012C	7-8
803-014C	4-20	803-049C	7-18	803-058C	5-14	804-012C	9-18
803-014C	4-4	803-049C	7-2	803-088C	5-14	804-013C	11-10
803-014C	6-22	803-053C	11-6	803-088C	8-10	804-013C	11-14
803-014C	6-24	803-059C	9-60	803-088C	8-14	804-013C	12-2
803-014C	6-32	803-064C	5-10	803-178C	6-4	804-013C	4-10
803-014C	6-34	803-064C	5-12	803-187C	13-2	804-013C	4-18
803-014C	6-6	803-064C	5-6	803-199C	13-2	804-013C	4-20
803-014C	6-8	803-064C	5-8	803-208C	6-10	804-013C	4-4
803-014C	7-10	803-067C	9-24	803-239C	6-12	804-013C	5-2
803-014C	7-18	803-083C	4-4	803-263C	6-10	804-013C	5-4
803-014C	7-8	803-084C	12-2	803-263C	6-12	804-013C	6-22
803-014C	9-18	803-084C	9-2	803-293C	10-2	804-013C	6-24
803-014C	9-24	803-084C	9-4	804-001C	5-2	804-013C	6-26
803-015C	11-2	803-088C	4-14	804-002C	5-2	804-013C	6-32
803-015C	11-4	803-088C	8-12	804-002C	6-26	804-013C	6-34
803-016C	5-2	803-088C	8-8	804-003C	5-2	804-013C	6-6
803-019C	11-2	803-147C	12-2	804-004C	4-8	804-013C	6-8
803-019C	11-4	803-159C	11-6	804-006C	4-10	804-013C	7-10
803-019C	6-6	803-169C	4-12	804-006C	4-12	804-013C	7-18
803-019C	6-8	803-169C	4-4	804-006C	6-18	804-013C	7-8
803-020C	11-2	803-169C	7-10	804-006C	6-20	804-013C	9-18
803-020C	11-4	803-169C	7-8	804-006C	6-26	804-013C	9-24
803-020C	12-2	803-169C	8-10	804-006C	6-32	804-014C	11-2
803-020C	14-2	803-169C	8-12	804-006C	6-6	804-014C	11-4
803-020C	4-18	803-169C	8-14	804-006C	6-8	804-015C	11-2
803-020C	4-20	803-169C	8-2	804-006C	7-6	804-015C	11-4
803-020C	4-4	803-169C	8-4	804-006C	9-18	804-015C	12-2
803-020C	6-30	803-169C	8-6	804-006C	9-22	804-015C	14-2
803-020C	6-32	803-169C	8-8	804-006C	9-24	804-015C	4-18
803-020C	7-2	803-177C	8-10	804-007C	4-10	804-015C	4-20
803-021C	12-2	803-177C	8-2	804-007C	6-18	804-015C	4-4
803-021C	14-2	803-177C	8-4	804-007C	6-20	804-015C	6-30
803-021C	4-4	803-177C	8-6	804-007C	6-26	804-015C	6-32
803-021C	4-6	803-178C	6-2	804-007C	6-36	804-015C	7-2
803-021C	6-22	803-181C	7-2	804-007C	6-6	804-016C	4-18
803-021C	6-30	803-186C	6-6	804-007C	7-6	804-016C	4-20
803-021C	7-10	803-194C	5-4	804-007C	9-18	804-016C	6-32
803-021C	7-2	803-199C	4-4	804-009C	2-2	804-016C	6-6
803-021C	7-8	803-208C	6-8	804-009C	3-6	804-016C	6-8
803-023C	6-6	803-209C	4-4	804-009C	4-14	804-017C	11-2
803-023C	6-8	803-213C	3-6	804-009C	4-2	804-017C	11-4
803-025C	9-24	803-213C	4-2	804-009C	4-2	804-017C	4-4
803-027C	11-2	803-219C	3-4	804-009C	4-4	804-017C	6-2
803-027C	11-4	803-235C	9-20	804-009C	5-12	804-017C	6-30
803-027C	3-2	803-263C	6-8	804-009C	5-2	804-017C	6-34
803-027C	3-4	803-273C	9-24	804-009C	6-2	804-019C	4-6
803-027C	3-6	803-001C	4-16	804-009C	6-30	804-021C	5-2

**Part Number Index**

<u>Part Number</u>	<u>Page</u>	<u>Part Number</u>	<u>Page</u>	<u>Part Number</u>	<u>Page</u>	<u>Part Number</u>	<u>Page</u>
804-021C	9-20	804-007C	6-22	805-186C	8-6	808-059C	6-12
804-021C	9-54	804-009C	6-4	805-186C	8-8	808-172C	6-10
804-022C	12-2	804-010C	6-4	805-196C	4-2	808-172C	6-12
804-022C	14-2	804-011C	13-2	805-211C	6-6	809-043C	6-32
804-022C	4-4	804-012C	5-14	805-017C	7-4	809-060C	6-2
804-022C	4-6	804-012C	7-12	805-019C	5-14	809-060C	6-30
804-022C	6-22	804-013C	13-2	805-024C	6-10	809-060C	6-34
804-022C	6-30	804-013C	4-2	805-024C	6-12	809-060C	6-4
804-022C	7-10	804-013C	7-12	805-064C	6-10	809-164C	6-4
804-022C	7-2	804-015C	7-4	805-064C	6-12	809-198C	7-12
804-022C	7-8	804-016C	6-10	805-064C	6-4	810-059C	9-50
804-022C	8-10	804-016C	6-12	805-065C	4-4	810-060C	9-46
804-022C	8-12	804-017C	6-4	805-067C	5-14	810-118C	11-10
804-022C	8-14	804-022C	7-4	805-125C	6-10	810-118C	11-2
804-022C	8-2	804-029C	6-10	805-125C	6-12	810-118C	11-4
804-022C	8-4	804-029C	6-12	805-148C	6-12	810-118C	11-8
804-022C	8-6	804-037C	7-4	805-239C	3-2	810-119C	11-12
804-022C	8-8	804-042C	5-14	805-331C	7-4	810-123C	9-12
804-023C	11-2	804-044C	5-14	806-001C	6-34	810-123C	9-14
804-023C	11-4	804-046C	4-16	806-005C	11-2	810-123C	9-16
804-023C	3-2	804-046C	6-4	806-005C	11-4	810-144C	9-28
804-023C	3-4	804-054C	4-16	806-023C	11-2	810-151C	9-36
804-023C	3-6	804-055C	7-4	806-023C	11-4	810-158C	9-32
804-023C	4-6	804-095C	6-10	806-037C	11-2	810-197C	11-10
804-025C	11-6	804-095C	6-12	806-037C	11-4	810-201C	9-20
804-025C	3-2	804-098C	6-10	806-046C	12-2	810-215C	3-2
804-027C	2-2	804-156C	7-4	806-089C	4-6	810-215C	9-10
804-027C	3-2	804-165C	7-4	806-106C	7-2	810-215C	9-8
804-029C	11-2	804-182C	6-12	806-113C	12-2	810-216C	3-2
804-029C	11-4	805-004C	4-2	806-113C	4-4	810-216C	9-10
804-029C	3-2	805-016C	14-2	806-115C	9-2	810-216C	9-8
804-029C	3-6	805-016C	3-4	806-115C	9-4	810-217C	4-2
804-029C	4-2	805-016C	5-2	806-149C	7-10	810-217C	9-10
804-029C	6-22	805-017C	3-2	806-106C	7-4	810-217C	9-8
804-029C	6-22	805-017C	7-2	806-107C	13-2	810-218C	3-2
804-030C	2-2	805-021C	7-2	807-007C	9-24	810-218C	9-12
804-030C	4-2	805-023C	5-2	807-020C	9-24	810-218C	9-14
804-030C	4-2	805-024C	6-6	807-031C	12-2	810-218C	9-16
804-030C	6-22	805-024C	6-8	807-079C	12-2	810-219C	3-6
804-031C	5-4	805-026C	6-8	807-096C	6-6	810-219C	9-2
804-036C	5-12	805-032C	4-2	807-097C	6-16	810-219C	9-4
804-036C	5-2	805-045C	11-6	807-106C	4-4	810-220C	4-2
804-036C	9-22	805-045C	12-2	807-106C	8-10	810-220C	9-10
804-037C	7-18	805-058C	11-2	807-106C	8-12	810-220C	9-8
804-037C	7-2	805-058C	11-4	807-106C	8-14	810-221C	9-12
804-039C	7-2	805-060C	4-2	807-106C	8-2	810-221C	9-14
804-040C	5-2	805-064C	6-2	807-106C	8-4	810-221C	9-16
804-040C	7-10	805-064C	6-6	807-106C	8-6	810-222C	6-22
804-040C	7-8	805-064C	6-8	807-106C	8-8	810-222C	9-12
804-041C	9-24	805-067C	4-8	807-106C	7-10	810-222C	9-14
804-043C	5-10	805-073C	9-24	807-116C	7-8	810-222C	9-16
804-043C	5-12	805-081C	2-2	807-101C	7-12	810-224C	9-52
804-043C	5-6	805-116C	6-6	808-046C	6-30	810-237C	9-2
804-043C	5-8	805-125C	4-2	808-058C	6-2	810-237C	9-4
804-055C	14-2	805-125C	6-6	808-059C	6-8	810-237C	9-6
804-055C	7-2	805-125C	6-8	808-072C	6-32	810-240C	3-6
804-075C	4-8	805-152C	3-2	808-118C	6-32	810-240C	9-2
804-083C	6-6	805-154C	8-10	808-125C	6-8	810-240C	9-4
804-088C	5-12	805-154C	8-12	808-157C	6-26	810-248C	9-44
804-095C	6-8	805-154C	8-14	808-160C	6-26	810-249C	9-54
804-098C	6-8	805-154C	8-2	808-160C	6-30	810-250C	9-48
804-104C	3-6	805-154C	8-4	808-160C	6-34	810-251C	9-42
804-104C	4-2	805-154C	8-6	808-183C	6-30	810-293C	9-60
804-105C	3-6	805-154C	8-8	808-183C	6-34	810-296C	9-18
804-105C	4-2	805-159C	9-32	808-185C	6-30	810-144C	9-40
804-106C	6-6	805-186C	8-10	808-024C	6-30	810-396C	9-26
804-002C	5-14	805-186C	8-12	808-024C	6-34	810-397C	9-30
804-003C	5-14	805-186C	8-14	808-046C	6-34	810-398C	9-38
804-004C	6-4	805-186C	8-2	808-058C	6-4	810-399C	9-34
804-006C	5-14	805-186C	8-4	808-059C	6-10	810-446C	9-58

**Part Number Index**

<b>Part Number</b>	<b>Page</b>	<b>Part Number</b>	<b>Page</b>	<b>Part Number</b>	<b>Page</b>	<b>Part Number</b>	<b>Page</b>
811-014C	11-10	811-462C	9-10	816-035C	6-22	817-026C	5-14
811-014C	11-8	811-462C	9-8	816-084C	6-6	817-042C	10-2
811-035C	11-10	811-463C	9-2	816-084C	6-8	817-087C	5-4
811-035C	11-10	811-463C	9-4	816-119C	6-36	817-134C	7-12
811-035C	11-8	811-464C	9-2	816-138C	6-6	817-296C	8-10
811-035C	11-8	811-464C	9-4	816-138C	6-8	817-314C	7-10
811-063C	9-10	811-465C	9-2	816-174C	4-2	817-314C	7-8
811-063C	9-12	811-465C	9-4	816-175C	3-6	817-330C	8-14
811-063C	9-14	811-466C	9-2	816-232C	6-24	817-333C	6-10
811-063C	9-16	811-466C	9-4	816-009C	7-4	817-333C	6-12
811-063C	9-8	811-467C	9-2	816-035C	3-4	817-513C	7-4
811-077C	9-10	811-467C	9-4	816-084C	6-10	817-516C	10-2
811-077C	9-12	811-468C	9-12	816-084C	6-12	818-003C	10-2
811-077C	9-14	811-468C	9-14	816-112C	4-16	818-019C	10-2
811-077C	9-16	811-468C	9-16	816-113C	4-16	818-020C	10-2
811-077C	9-8	811-469C	9-12	816-138C	6-10	818-031C	10-4
811-078C	9-10	811-469C	9-14	816-138C	6-12	818-043C	10-2
811-078C	9-12	811-470C	9-2	816-173C	7-12	818-045C	10-2
811-078C	9-14	811-470C	9-4	816-302C	7-10	818-078C	10-2
811-078C	9-16	811-482C	9-12	816-302C	7-8	818-188C	10-2
811-078C	9-8	811-482C	9-14	817-004C	5-4	818-205C	10-4
811-080C	9-10	811-482C	9-16	817-021C	9-24	818-205C	6-32
811-080C	9-8	811-484C	9-12	817-025C	6-2	818-207C	10-4
811-088C	9-10	811-484C	9-14	817-025C	6-30	818-229C	10-2
811-088C	9-12	811-484C	9-16	817-025C	6-32	818-230C	10-2
811-088C	9-16	811-485C	9-10	817-025C	6-34	818-295C	4-8
811-088C	9-8	811-485C	9-8	817-029C	7-2	818-296C	4-8
811-133C	11-10	811-490C	9-10	817-051C	7-2	818-345C	10-2
811-133C	11-8	811-490C	9-8	817-062C	8-2	818-346C	10-2
811-150C	9-10	811-491C	9-60	817-062C	8-4	818-398C	10-2
811-150C	9-8	811-496C	9-20	817-063C	8-2	818-412C	10-2
811-169C	11-10	811-571C	9-18	817-063C	8-4	818-414C	10-4
811-169C	11-8	811-575C	9-16	817-065C	8-6	818-475C	10-2
811-172C	9-10	811-576C	9-16	817-067C	8-10	818-476C	10-2
811-172C	9-2	811-629C	9-14	817-068C	5-4	818-477C	10-2
811-172C	9-4	811-629C	9-16	817-069C	5-4	818-508C	10-2
811-172C	9-8	812-204C	7-10	817-070C	5-4	818-748C	10-2
811-281C	11-10	812-204C	7-8	817-071C	5-4	819-001C	5-2
811-281C	11-8	814-008C	14-2	817-073C	5-4	819-045C	6-26
811-324C	9-14	814-008C	6-22	817-074C	5-4	819-059C	6-26
811-333C	11-10	814-009C	14-2	817-075C	5-4	819-041C	5-14
811-340C	9-14	814-015C	14-2	817-081C	8-14	820-018C	7-2
811-340C	9-16	814-034C	8-14	817-084C	7-10	820-082C	7-2
811-347C	11-8	814-038C	6-22	817-084C	7-8	820-094C	11-6
811-397C	9-20	814-067C	8-2	817-084C	8-10	820-114C	7-18
811-398C	9-12	814-067C	8-4	817-084C	8-12	820-116C	7-2
811-399C	9-12	814-068C	8-6	817-084C	8-14	820-156C	7-2
811-400C	9-12	814-069C	8-10	817-084C	8-2	820-018C	7-4
811-400C	9-14	814-104C	3-4	817-084C	8-4	820-082C	7-4
811-400C	9-16	814-157C	8-12	817-084C	8-6	820-116C	7-4
811-431C	9-10	814-158C	8-8	817-084C	8-8	820-156C	7-4
811-431C	9-8	814-159C	8-12	817-086C	4-8	822-008C	5-2
811-439C	9-20	814-160C	8-8	817-111C	6-16	822-018C	14-2
811-451C	11-10	814-157C	8-10	817-127C	7-16	822-019C	14-2
811-451C	11-8	814-159C	8-10	817-132C	8-10	822-020C	14-2
811-454C	9-2	814-174C	8-14	817-132C	8-12	822-020C	7-2
811-454C	9-4	814-206C	3-4	817-132C	8-14	822-021C	14-2
811-455C	9-12	814-208C	3-4	817-132C	8-2	822-021C	7-2
811-455C	9-14	814-210C	3-4	817-132C	8-4	822-030C	11-6
811-455C	9-16	815-001C	11-6	817-132C	8-6	822-032C	6-2
811-455C	9-16	815-100C	3-4	817-132C	8-8	822-032C	6-30
811-456C	9-12	815-103C	3-4	817-133C	7-10	822-032C	6-34
811-456C	9-14	816-002C	7-10	817-133C	7-8	822-036C	3-4
811-457C	9-20	816-002C	7-8	817-170C	9-18	822-036C	6-6
811-458C	9-20	816-004C	3-2	817-192C	3-2	822-036C	6-8
811-459C	9-10	816-004C	9-2	817-296C	8-12	822-037C	3-4
811-459C	9-8	816-004C	9-4	817-297C	8-8	822-037C	6-6
811-460C	9-10	816-009C	7-2	817-008C	5-14	822-037C	6-8
811-460C	9-8	816-011C	14-2	817-009C	5-14	822-038C	3-4
811-461C	9-10	816-014C	11-6	817-010C	5-14	822-039C	3-4
811-461C	9-8	816-019C	3-4	817-025C	6-4	822-040C	6-32

**Part Number Index**

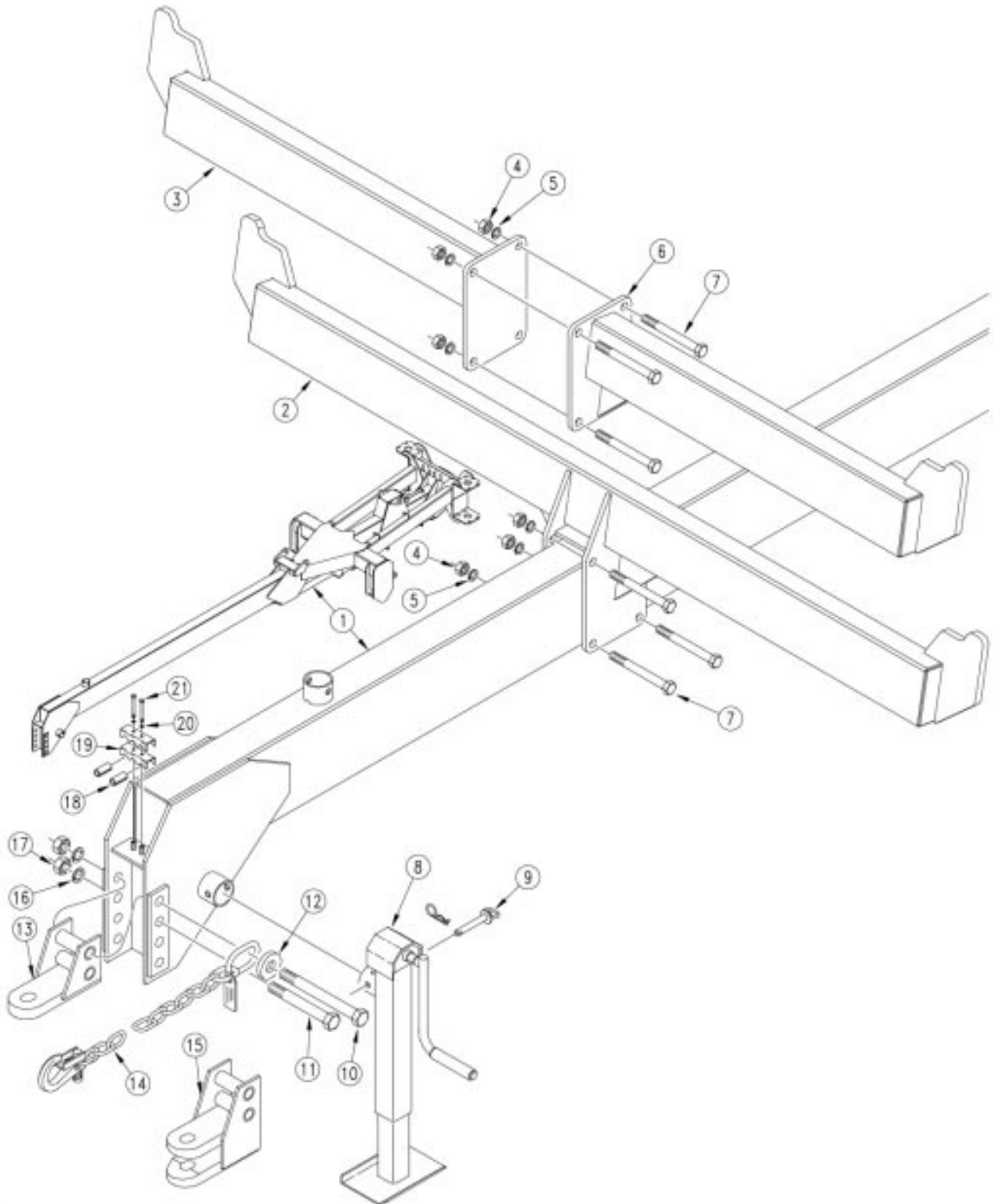
<u>Part Number</u>	<u>Page</u>	<u>Part Number</u>	<u>Page</u>	<u>Part Number</u>	<u>Page</u>	<u>Part Number</u>	<u>Page</u>
822-041C	4-14	890-018C	11-2				
822-041C	6-32	890-018C	11-4				
822-055C	2-4	890-068C	11-6				
822-060C	6-2	890-095C	9-24				
822-060C	6-30	890-126C	4-2				
822-060C	6-34	890-133C	6-6				
822-080C	11-6	890-183C	2-2				
822-095C	8-10	890-184C	2-2				
822-095C	8-2	890-195C	4-8				
822-095C	8-4	890-198C	8-10				
822-095C	8-6	890-199C	8-6				
822-103C	5-4	890-221C	4-4				
822-121C	4-2	890-282C	6-26				
822-122C	4-2	890-293C	4-2				
822-123C	3-6	890-294C	4-2				
822-123C	4-2	890-311C	4-10				
822-124C	3-6	890-311C	4-12				
822-124C	4-2	890-312C	4-10				
822-128C	4-14	890-312C	4-12				
822-170C	8-12	890-313C	4-10				
822-170C	8-8	890-313C	4-12				
822-021C	7-4	890-314C	4-10				
822-032C	6-4	890-314C	4-12				
822-036C	6-10	890-317C	4-10				
822-036C	6-12	890-350C	5-10				
822-037C	6-10	890-350C	5-2				
822-037C	6-12	890-350C	5-6				
822-060C	6-4	890-350C	5-8				
822-095C	8-10	890-351C	12-2				
822-170C	8-10	890-452C	7-10				
822-170C	8-14	890-343C	6-4				
823-117C	9-6	890-433C	6-10				
823-118C	9-6	890-433C	6-12				
823-119C	5-12	890-610C	2-6				
823-094C	6-4	890-651C	4-2				
823-139C	9-6	890-652C	4-2				
823-196C	6-14	990-109R	7-6				
823-197C	6-14	990-082R	13-4				
823-198C	6-14	HB-001015	2-6				
823-198C	6-4	HB-006125	2-6				
825-002C	2-6	HB-009052	2-6				
829-011C	13-4	HB-009062	2-6				
829-011C	13-6	HB-009148	2-6				
829-089C	13-4	HB-015796	2-6				
830-013C	13-4	HB-016048	2-6				
830-034C	13-4	HB-016053	2-6				
830-061C	13-4	HB-017012	2-6				
830-085C	13-4	HB-017802	2-6				
830-087C	13-4	HB-017806	2-6				
831-008C	9-2	HB-020022	2-6				
831-008C	9-4	HB-020023	2-6				
838-158C	10-2	HB-701213	2-6				
838-265C	10-2	HB-701438	2-6				
838-266C	10-2	HB-712205	2-6				
838-367C	10-2	HB-712368	2-6				
838-482C	10-2	P502001	3-4				
890-002C	6-22	V-07153	13-6				
890-005C	11-2	V2B25F	13-8				
890-005C	11-4						
890-005C	3-2						
890-005C	3-6						
890-005C	4-2						
890-005C	6-18						
890-005C	6-20						
890-005C	6-22						
890-011C	3-2						
890-011C	3-6						
890-011C	6-18						
890-011C	6-20						
890-012C	6-22						

---

## Part Number Index

<u>Part Number</u>	<u>Page</u>	<u>Part Number</u>	<u>Page</u>	<u>Part Number</u>	<u>Page</u>	<u>Part Number</u>	<u>Page</u>
--------------------	-------------	--------------------	-------------	--------------------	-------------	--------------------	-------------

*Hitch and Carrier to Tongue*



14456

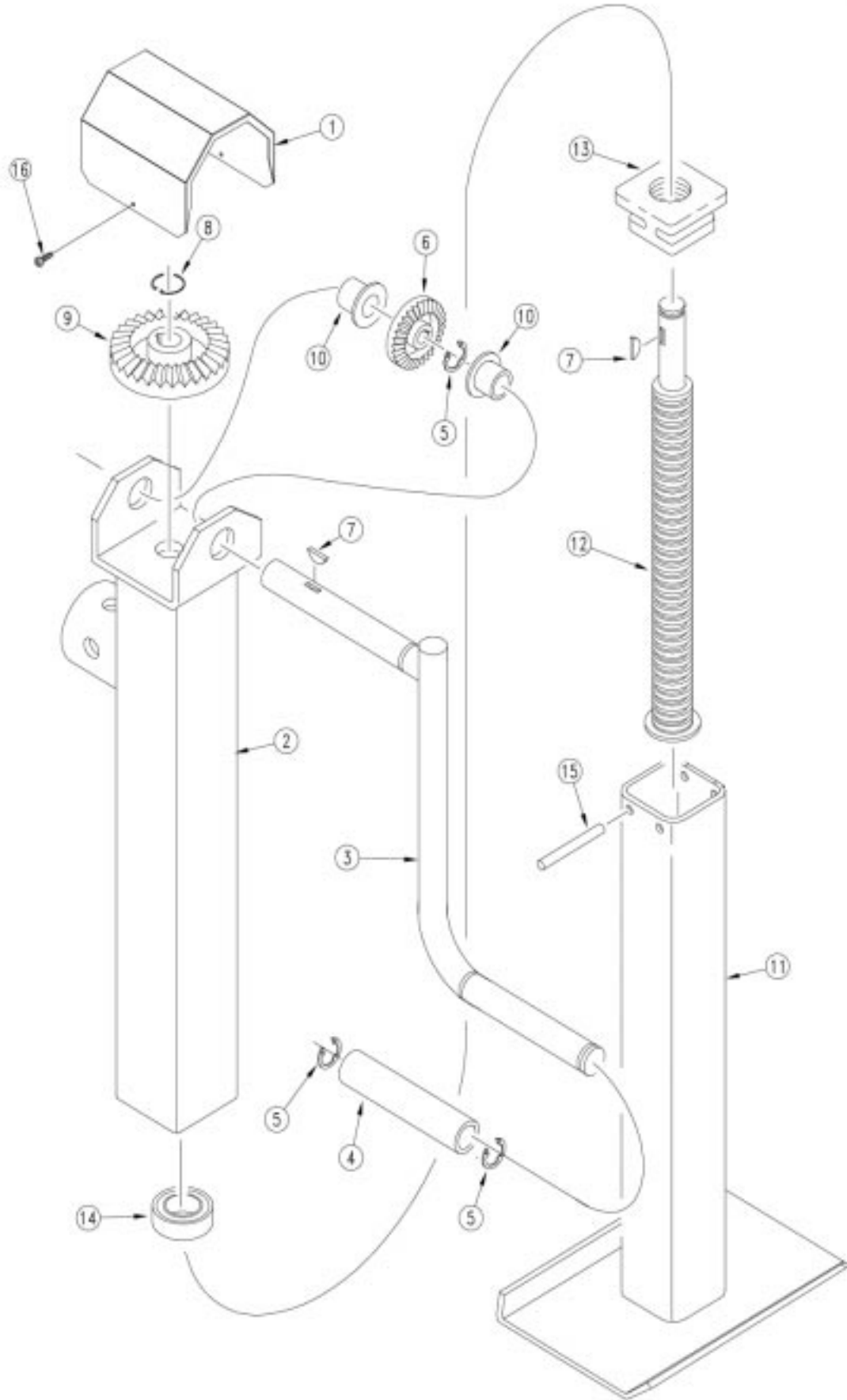
**Hitch and Carrier to Tongue**

Ref.	Part No.	Part Description	Comments
1.	196-130H	30' TONGUE AND MAIN FRAME WELD	
	196-131H	24' TONGUE AND MAIN FRAME WELD	
2.	196-132H	REPLACED BY 196-196H&196-197H	(S/N D1888-)
3.	196-197H	30' RH TRANSPORT REST	(S/N D1889+)
	196-134H	24' RH TRANSPORT REST WELDMENT	
4.	803-031C	NUT HEX 1-8 PLT	
5.	804-027C	WASHER LOCK SPRING 1 PLT	
6.	196-196H	30' LH TRANSPORT REST	(S/N D1889+)
	196-133H	24' LH TRANSPORT REST WELDMENT	
7.	802-110C	HHCS 1-8X9 GR5	
8.	⊗ <b>890-610C</b>	<b>SQ TB JACK 10000 LB 10 STROKE</b>	<b>Refer to page 2-7 for breakdown.</b>
	● <b>116-065K</b>	<b>JACK REPLACED BY 890-610C</b>	<b>Refer to page 2-3 for breakdown.</b>
9.	805-081C	PIN HITCH 3/4 X 4 3/8	
10.	802-317C	HHCS 1 1/4-7X11 GR5 SPTH	
11.	802-166C	HHCS 1 1/4-7X9 1/2 GR5 SPTH	
12.	194-070D	SAFETY CHAIN WASHER	
13.	170-033H	SINGLE HITCH STRAP-LARGE	
14.	890-184C	SAFETY CHAIN 30000 LB	
	890-183C	SAFETY CHAIN 20000 LB	
15.	196-136H	CLEVIS HITCH WELDMENT	
16.	804-030C	WASHER LOCK 1 1/4 SPRING PLT	
17.	803-034C	NUT HEX 1 1/4-7 PLT	
18.	113-370D	1/4 MARKER HYD HOSE GUARD	
19.	196-112D	HOSE CLAMP BRACKET	
20.	804-009C	WASHER LOCK SPRING 5/16 PLT	
21.	⊗ <b>802-172C</b>	<b>HHCS 5/16-18X2 1/2 GR5</b>	
	● <b>802-138C</b>	<b>HHCS 5/16-18X2 1/4 GR5</b>	

**Legend:** ● = 1st revision; ⊗ = 2nd revision; ⊕ = 3rd revision; ● = use up existing stock; ⊗ = not interchangeable; ⊗ ⊕ ⊗ = for example: revision 2 is not interchangeable w/revision 1



Rotating Square Jack (116-065K)



10510

**Rotating Square Jack (116-065K)**

Ref.	Part No.	Part Description	Comments
1.	116-069D	JACK LID	
2.	116-061H	ROTATING JACK HOUSING	
3.	116-042H	ROTATING JACK CRANK HANDLE	
4.	116-068D	JACK CRANK HAND GRIP	
5.	800-042C	EXTERNAL E RING 3/4 I.D.	
6.	116-064D	BEVEL GEAR 30T 7 PITCH 63.4 PA	
7.	800-046C	WOODRUFF KEY #606	
8.	800-015C	SNAP RING EXT .750 .078 T	
9.	116-065D	BEVEL GEAR 15T 7 PITCH 26.6 PA	
10.	116-066D	JACK CRANK BUSHING	
11.	116-037H	JACK LEG WITH FOOT	
12.	116-038H	JACK SCREW WITH STOP	
13.	116-055D	JACK NUT	
14.	822-055C	BANDED THRUST BRG 3/4 I.D.	
15.	116-062D	JACK NUT PIN	
16.	801-052C	SCR P.H. 8X3/8 TYPEB THD FORM	

**Legend:** ● = 1st revision; ● = 2nd revision; ● = 3rd revision; ● = use up existing stock; ⊗ = not interchangeable; ⊗ ① ● = for example: revision 2 is not interchangeable w/revision 1

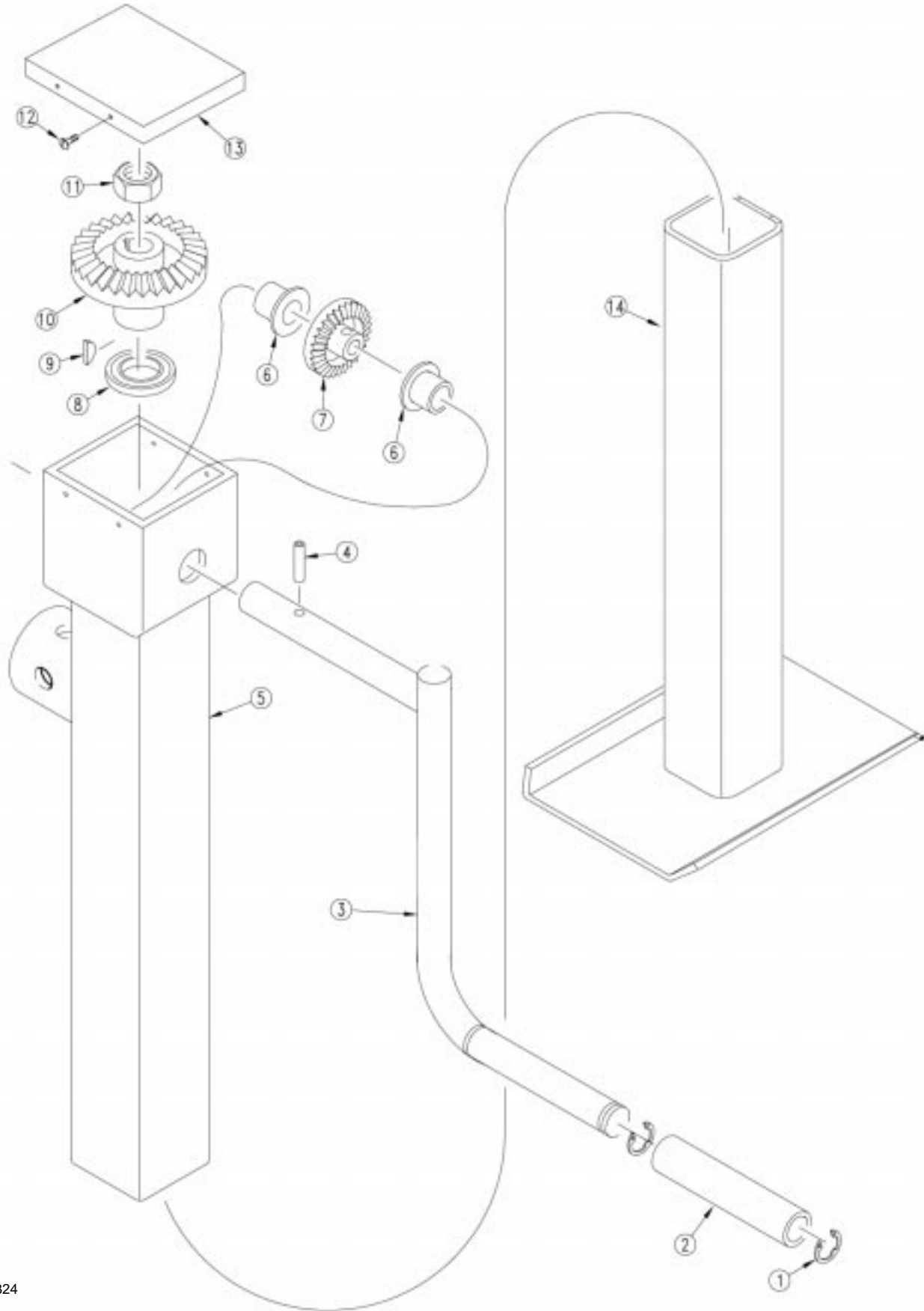


**Rotating Square Hammerblow Jack (890-610C)**

Ref.	Part No.	Part Description	Comments
1.	HB-017802	HB VIKING COVER	
2.	HB-017806	HB COVER SCREW	
3.	HB-020023	HB BEVEL GEAR	
4.	HB-009062	HB GROOVE PIN .25 X 1.5	
5.	HB-016053	HB WEAR PLATE	
6.	HB-001015	HB THRUST BEARING	
7.	HB-016048	HB BEARING SEAT	
8.	HB-712368	HB SCREW & NUT ASSY	After 5/1/2003
	HB-712205	HB SCREW & NUT ASSY	Before 5/1/2003
9.	802-114C	HHCS 3/8-16X2 1/2 GR5	
10.	825-002C	WASHER FLAT 3/8	
11.	803-013C	NUT LOCK 3/8-16 PLT	
12.	HB-701213	HB CRANK, NARROW CLEVIS 90DEG	
13.	HB-006125	HB CROSS SHAFT	
14.	HB-701438	HB RETAINING PIN	
15.	HB-017012	HB BEARING SLEEVE	
16.	HB-015796	HB BULLDOG 12000LB LABEL	
17.	HB-020022	HB BEVEL GEAR PINION	
18.	HB-009148	HB RETAINING PIN	After 5/1/2003
	HB-009052	HB RETAINING PIN	Before 5/1/2003
19.	890-610C	SQ TB JACK 10000 LB 10 STROKE	Must Order Complete Jack

**Legend:** ① = 1st revision; ② = 2nd revision; ③ = 3rd revision; ● = use up existing stock; ⊗ = not interchangeable; ⊗ ① ② = for example: revision 2 is not interchangeable w/revision 1

**Rotating Square Jack (890-610C)**



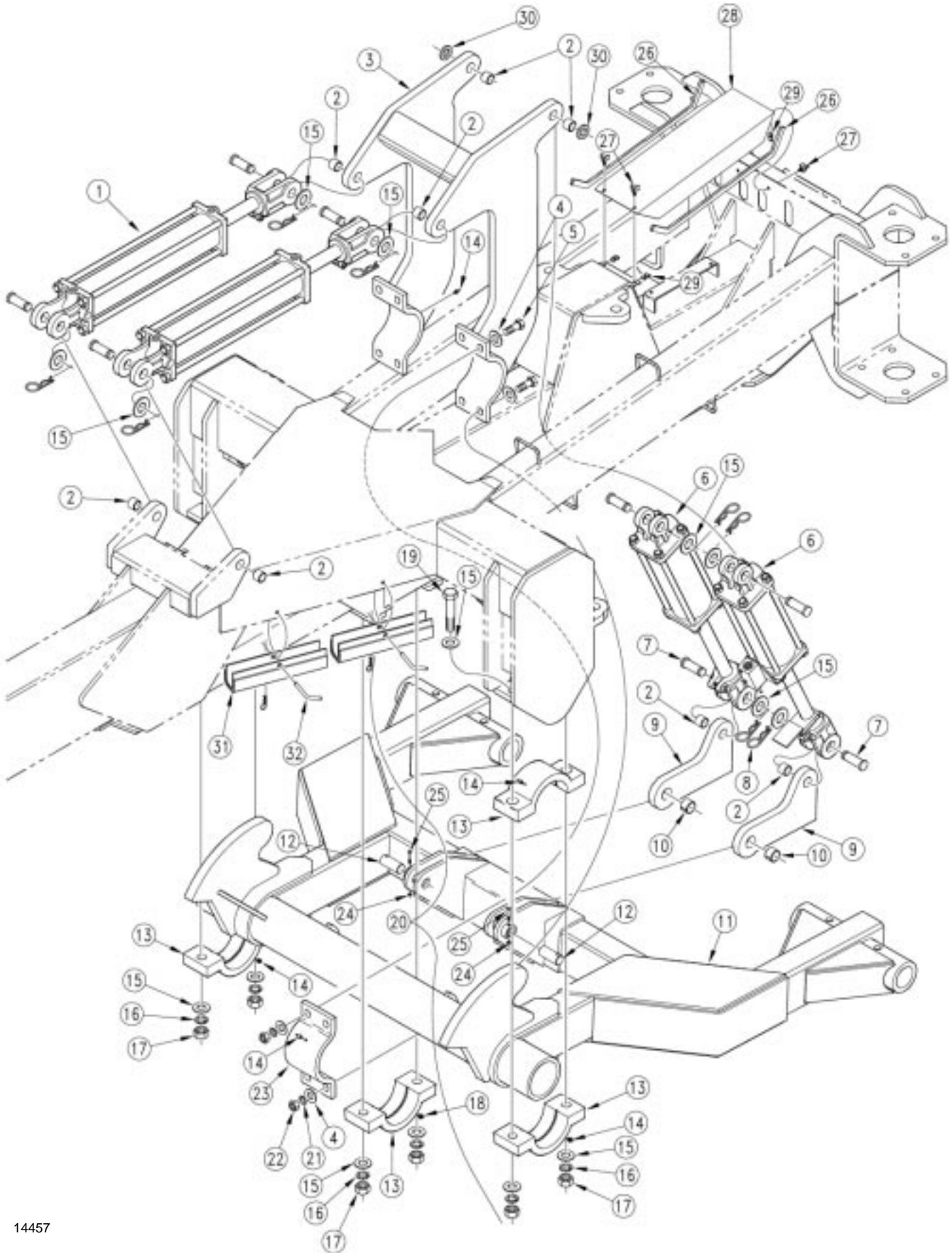
13324

**Rotating Square Jack (890-610C)**

Ref.	Part No.	Part Description	Comments
1.	10-80054	BUTLER GRIP CLIP	
2.	2H-30081	BUTLER PVC GRIP	
3.	2H-30080	BUTLER CRANK ASSEMBLY	
4.	10-80147	BUTLER GROOVE PIN	
5.	2H-200GP	BUTLER GEAR BOX	
6.	10-70020	BUTLER BUSHING	
7.	10-50058	BUTLER PINION GEAR	
8.	10-80012	BUTLER THRUST BEARING	
9.	800-046C	WOODRUFF KEY #606	
10.	10-50057	BUTLER BEVEL GEAR	
11.	10-80028	NUT HEX 7/8-14 LOCK	
12.	801-052C	SCR P.H. 8X3/8 TYPEB THD FORM	
13.	20-20028	BUTLER COVER	
14.	2H-300GP	BUTLER INNER LEG ASSEMBLY	

**Legend:** ● = 1st revision; ● = 2nd revision; ● = 3rd revision; ● = use up existing stock; ⊗ = not interchangeable; ⊗ ① ● = for example: revision 2 is not interchangeable w/revision 1

**Transport Lift and Axle**



14457

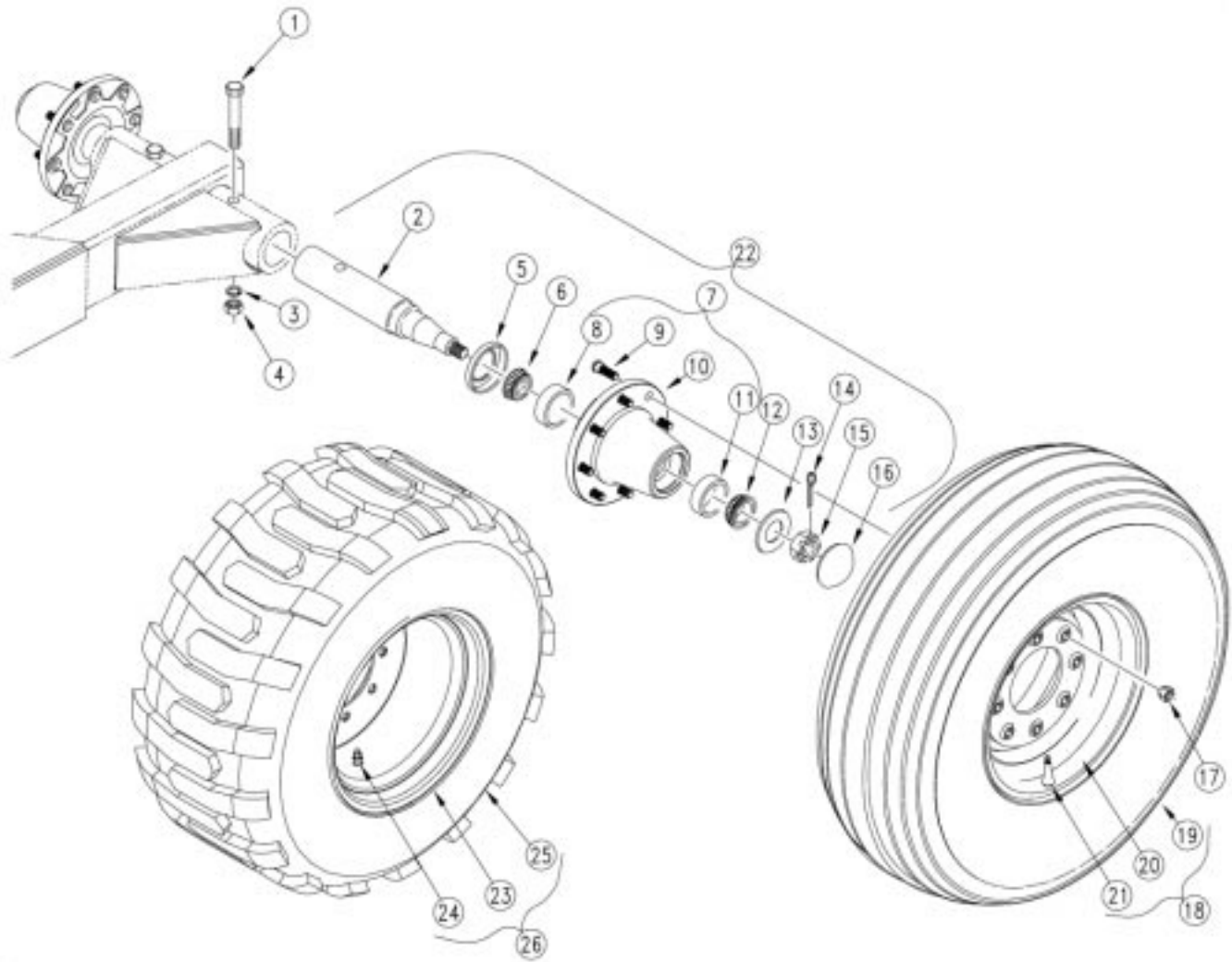


**Transport Lift and Axle**

Ref.	Part No.	Part Description	Comments
1.	810-215C 810-216C	CYL 4.5X16X1.5 ROD (TIE ROD) CYL 4X16X1.5 ROD (TIE ROD)	Refer to page 9-47 for breakdown. Refer to page 9-45 for breakdown.
2.	890-005C	BUSHING CYL 1 1/4 X 1 X 1	
3.	196-128H	TRANSPORT LIFT WELDMENT	
4.	804-025C	WASHER FLAT 3/4 SAE PLT	
5.	802-212C	HHCS 3/4-10X2 1/2 GR5	
6.	② 810-393C	HYD CYL 4 1/2 X 12 X 2 ROD	For 3010 drills. (S/N D2107, D2109 and D2110+) Refer to page 9-29 for breakdown.
	② 810-392C	HYD CYL 4 1/4 X 12 X 2 ROD	For 2410 drills. (S/N C1824+) Refer to page 9-25 for breakdown.
	① 810-221C	CYL REP 4.25X12X1.5 ROD (TIE)	Refer to page 9-27 for breakdown.
	① 810-218C	CYL REP 4.5X12X1.5 ROD (TIE)	Refer to page 9-31 for breakdown.
7.	805-239C	PIN CLEVIS 1 X 3 5/16 HRD PLT	
8.	805-017C	PIN COTTER 3/16 X 1 3/4 PLT	
9.	⑥ 196-414D	TRANSPORT AXLE CYLINDER LUG	Used with 196-199H. S/N C1693+ on 24' Drills and S/N D1905+ on 30' Drills
	●② 196-292D	AXLE LUG	Used with 196-129H. S/N C1692- 24' Drills and S/N D1904- 30' Drills
	●① 196-396D	AXLE CYLINDER LUG	
10.	890-011C	BUSHING SPINDLE 1 1/2X1 1/4X1	
11.	⊗①② 196-199H	TRANSPORT AXLE WELDMENT	S/N C1693+ on 24' Drills and S/N D1905+ on 30' Drills
	① 196-129H	REP. BY 196-199H & 2 196-414D	S/N C1692- 24' Drills and S/N D1904- 30' Drills replaced by 196-199H and two of 196-414D
12.	181-038D	FLEX LINK PIVOTPIN 1 1/4X2 7/8	
13.	180-078D	MF ROCKSHAFT TOP BEARING	
14.	800-001C	GREASE ZERK STRAIGHT 1/4-28	
15.	804-029C	WASHER FLAT 1 SAE	
16.	804-027C	WASHER LOCK SPRING 1 PLT	
17.	803-031C	NUT HEX 1-8 PLT	
18.	800-058C	GREASE ZERK 1/4-28 X 45-DEG	
19.	802-205C	HHCS 1-8X5 1/2 GR5	
20.	196-146K 196-145V	ROCKSHAFT BEARING ASSY ROCKSHAFT BEARING SUB ASSY	Includes items 14 & part number 196-145V Includes items 13; 15; 16; 17 & 19
21.	804-023C	WASHER LOCK SPRING 3/4 PLT	
22.	803-027C	NUT HEX 3/4-10 PLT	
23.	196-248D	2SNT AXLE TOP HALF BAND	
24.	803-007C	NUT LOCK 1/4-20 PLT	
25.	802-152C	HHCS 1/4-20X2 GR5	
26.	816-004C	VINYL SEAL 3/8 X 1/2/FT	
27.	817-192C	KNOB 3 PRONG 1/4-20 X 1/2 LG	
28.	196-357D	HYDRAULIC VALVE COVER	
29.	800-163C	CLIP U-TYPE NUT 1/4-20 SLF-RET	
30.	161-126D	CYLINDER SPACER BUSHING	
31.	196-177H	CYLINDER LOCK CHANNEL-1 1/2X12	
32.	805-152C	BENT PIN 3/8 X 2 1/2 USE W/COT	

**Legend:** ① = 1st revision; ② = 2nd revision; ③ = 3rd revision; ● = use up existing stock; ⊗ = not interchangeable; ⊗①② = for example: revision 2 is not interchangeable w/revision 1

**Transport Tire and Hub**



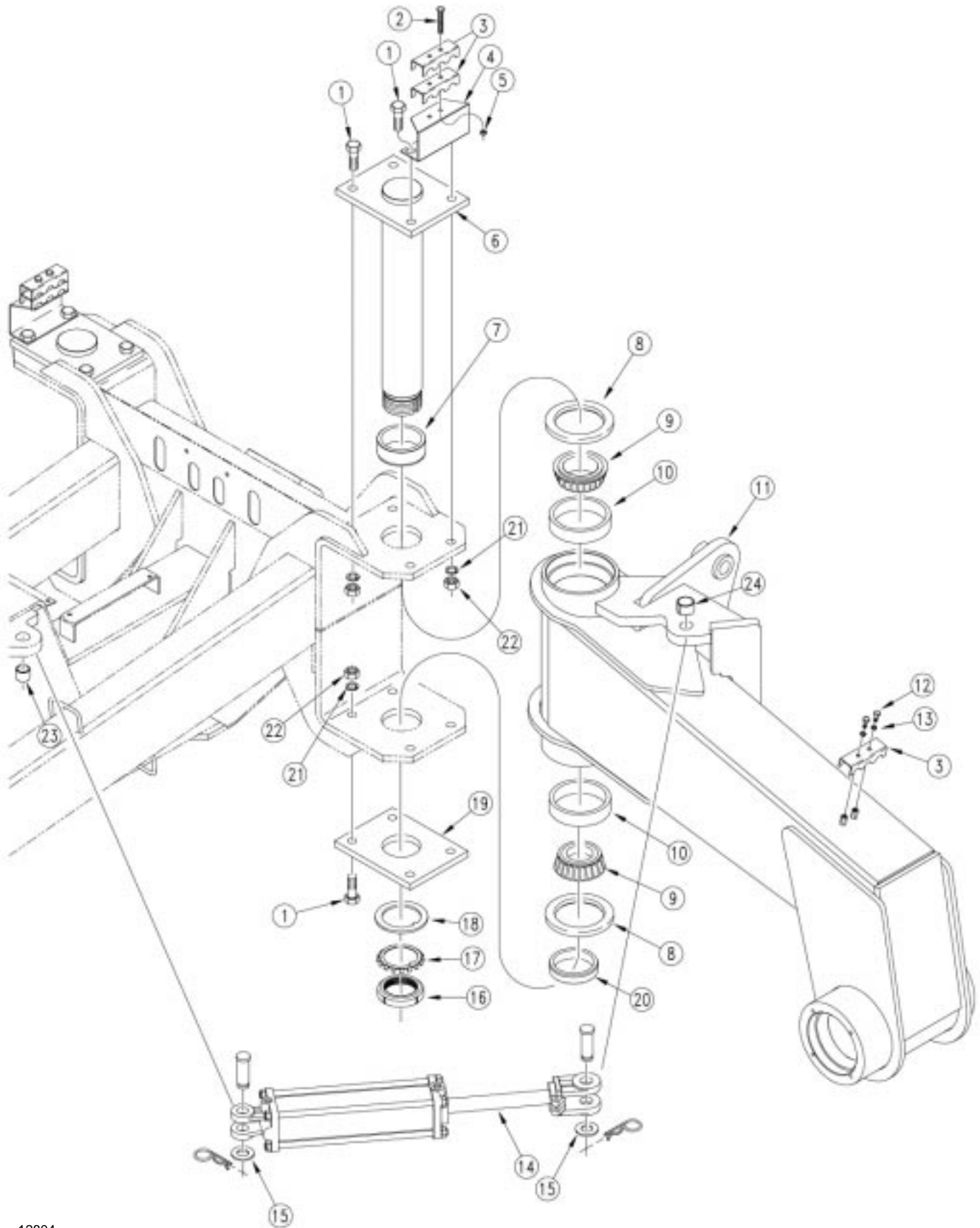
21551

**Transport Tire and Hub**

Ref.	Part No.	Part Description	Comments
1.	802-069C	HHCS 3/4-10X5 GR5	
2.	⊗ 815-099C	SPINDLE SGL 2.73X15.97	(S/N C1733+ for 2N-2420; D1954+ for 2N-3020)
	● ① 196-299D	TRANSAXLE SPINDLE	(S/N C1732- for 2N-2420; D1953- for 2N-3020)
3.	804-023C	WASHER LOCK SPRING 3/4 PLT	
4.	803-027C	NUT HEX 3/4-10 PLT	
5.	816-019C	8-BOLT HUB SEAL	
6.	822-036C	BEARING CONE #3780	
7.	⊗ 815-101C	HUB 8 BOLT 5790# W/CUPS&STUDS	(S/N C1733+ for 2N-2420; D1954+ for 2N-3020) Includes items 8 through 11
	● ① 200-008S	8-BOLT HUB W/CUPS & STUDS	(S/N C1732- for 2N-2420; D1953- for 2N-3020) Includes items 8 through 11
8.	822-037C	BEARING CUP #3720	
9.	802-182C	HUB STUD 5/8-18X2 3/8 GR5	
10.	200-006D	8-BOLT WHEEL HUB MACH.	
11.	822-039C	BEARING CUP #2720	
12.	822-038C	BEARING CONE #2790	
13.	⊗ 181-064D	7/8 SPINDLE WASHER, HARDENED	(S/N C1733+ for 2N-2420; D1954+ for 2N-3020)
	● ① 804-055C	WASHER SPINDLE - 7/8	(S/N C1732- for 2N-2420; D1953- for 2N-3020)
14.	805-016C	PIN COTTER 3/16 X 1 1/4 PLT	
15.	803-029C	NUT HEX SLOTTED 7/8-14 PLT	
16.	P502001	GREASE CAP	
17.	803-219C	NUT LUG 5/8-18 X 90 DEG PLT	
18.	⊗ 196-208K	TITAN 12L-15 20 PLY 8 BOLT	Includes items 19; 20 & 21
	① 196-157K	REPLACED BY 196-208K	
19.	⊗ 814-177C	TIRE TITAN 12.5L-15 20 PLY	
	① 814-103C	REPLACED BY 814-177C	
20.	814-104C	WHEEL 15 x 10 x 8 BOLT	
21.	816-035C	VALVE STEM TR415X.625X1 1/4 LG	
22.	815-103C	HUB & SPINDLE ASY 8 BOLT 5790#	
	815-100C	SPINDLE ASSY SGL 2.73X15.97	Includes items 2; 13,14 &15
23.	814-208C	RIM 16.5X12, 8 BLT 6 PILT 8 BC	(Option)
24.	814-210C	VALVE STEM METAL TR-575 TUBLES	(Option)
25.	814-206C	TIRE SKID ST 395/55B16.5 NHS	(Option)
26.	196-272K	RH TIRE/RIM 395/55B16.5 SKID 8	(Option)
	196-273K	LH TIRE/RIM 395/55B16.5 SKID 8	(Option)

**Legend:** ● = 1st revision; ⊗ = 2nd revision; ⊗ = 3rd revision; ● = use up existing stock; ⊗ = not interchangeable; ⊗ ① = for example: revision 2 is not interchangeable w/revision 1

**Toolbars**



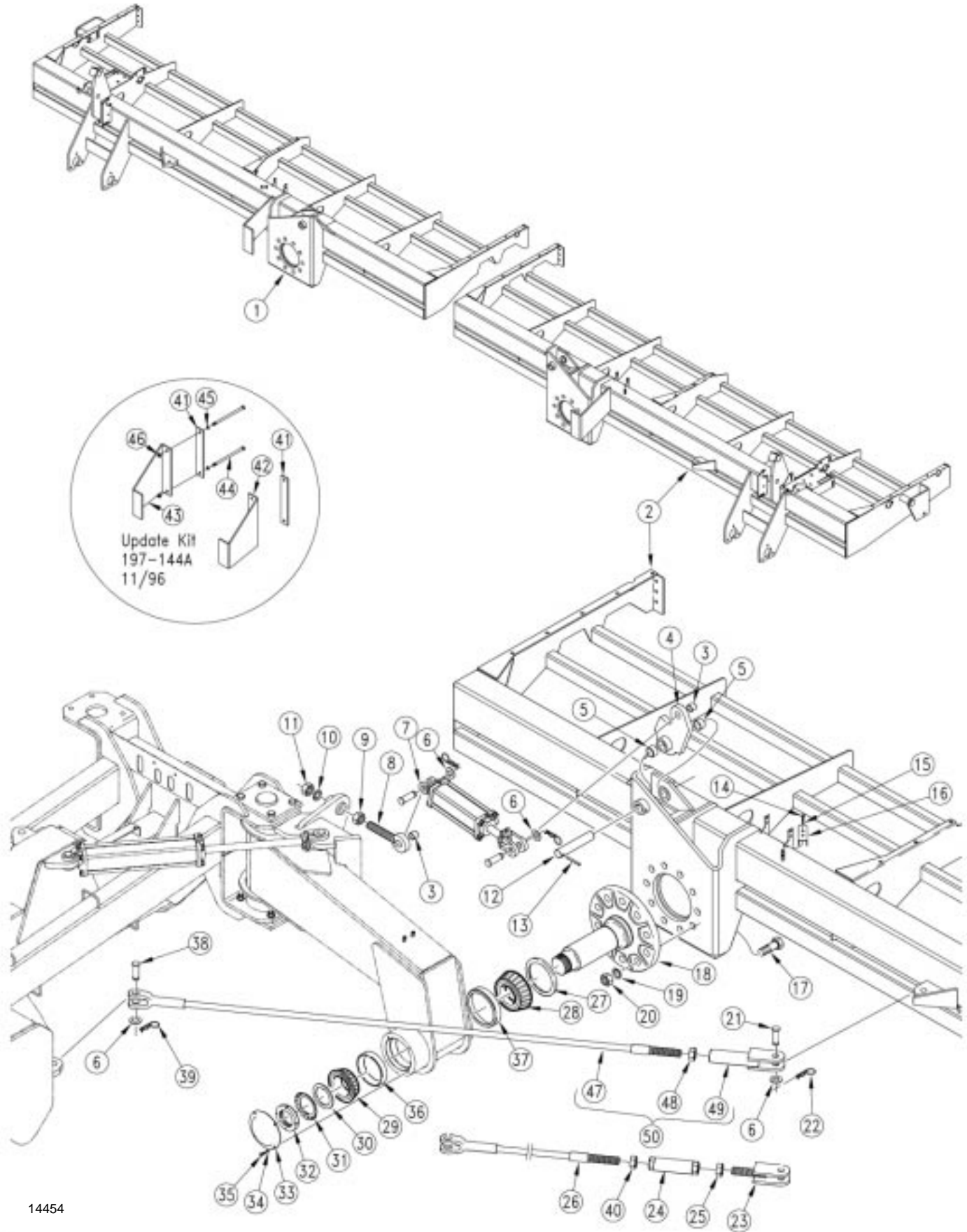
12804

**Toolbars**

Ref.	Part No.	Part Description	Comments
1.	802-065C	HHCS 3/4-10X2 1/4 GR5	
2.	802-333C	HHCS 5/16-18X3 1/2 GR5	
3.	196-112D	HOSE CLAMP BRACKET	
4.	196-301D	HINGE HYDRAULIC HOSE MOUNT	
5.	803-011C	NUT LOCK 5/16-18 PLT	
6.	196-137H	VERTICAL SPINDLE WELDMENT	
7.	196-318D	VERTICAL SPINDLE SPACER TB TOP	
8.	816-175C	SEAL 4.25 ID X 6.000 X .500	
9.	822-123C	BEARING CONE 3 1/2 ID 593	
10.	822-124C	BEARING CUP 3 1/2 ID 592A	
11.	⊗ 196-204H	<b>LH TOOLBAR WELDMENT</b>	
	① 196-140H	<b>LH TOOL BAR WELDMENT</b>	Obsolete replaced by 196-204H.
	⊗ 196-205H	<b>RH TOOLBAR WELDMENT</b>	
	① 196-141H	<b>RH TOOL BAR WELDMENT</b>	Obsolete replaced by 196-205H.
12.	802-010C	HHCS 5/16-18X1 1/4 GR5	
13.	804-009C	WASHER LOCK SPRING 5/16 PLT	
14.	810-219C	CYL 3.5X16X2 ROD (TIE ROD)	Refer to page 9-41 for breakdown.
	810-240C	CYL 4X16X2 ROD (TIE ROD)	Refer to page 9-43 for breakdown.
15.	804-029C	WASHER FLAT 1 SAE	
16.	803-213C	NUT BEARING LOCK, TAN-17	
17.	804-104C	WASHER BEARING LOCK, TW117	
18.	804-105C	WASHER BEARING TONGUED K91517	
19.	196-316D	VERTICAL SPINDLE BTM MNT PLT	
20.	196-317D	VERTICAL SPINDLE SPACER TB BTM	
21.	804-023C	WASHER LOCK SPRING 3/4 PLT	
22.	803-027C	NUT HEX 3/4-10 PLT	
23.	890-005C	BUSHING CYL 1 1/4 X 1 X 1	
24.	890-011C	BUSHING SPINDLE 1 1/2X1 1/4X1	

**Legend:** ① = 1st revision; ⊗ = 2nd revision; ⊕ = 3rd revision; ● = use up existing stock; ⊗ = not interchangeable; ⊗ ① ⊗ = for example: revision 2 is not interchangeable w/revision 1

*Box Frames to Toolbar*



14454



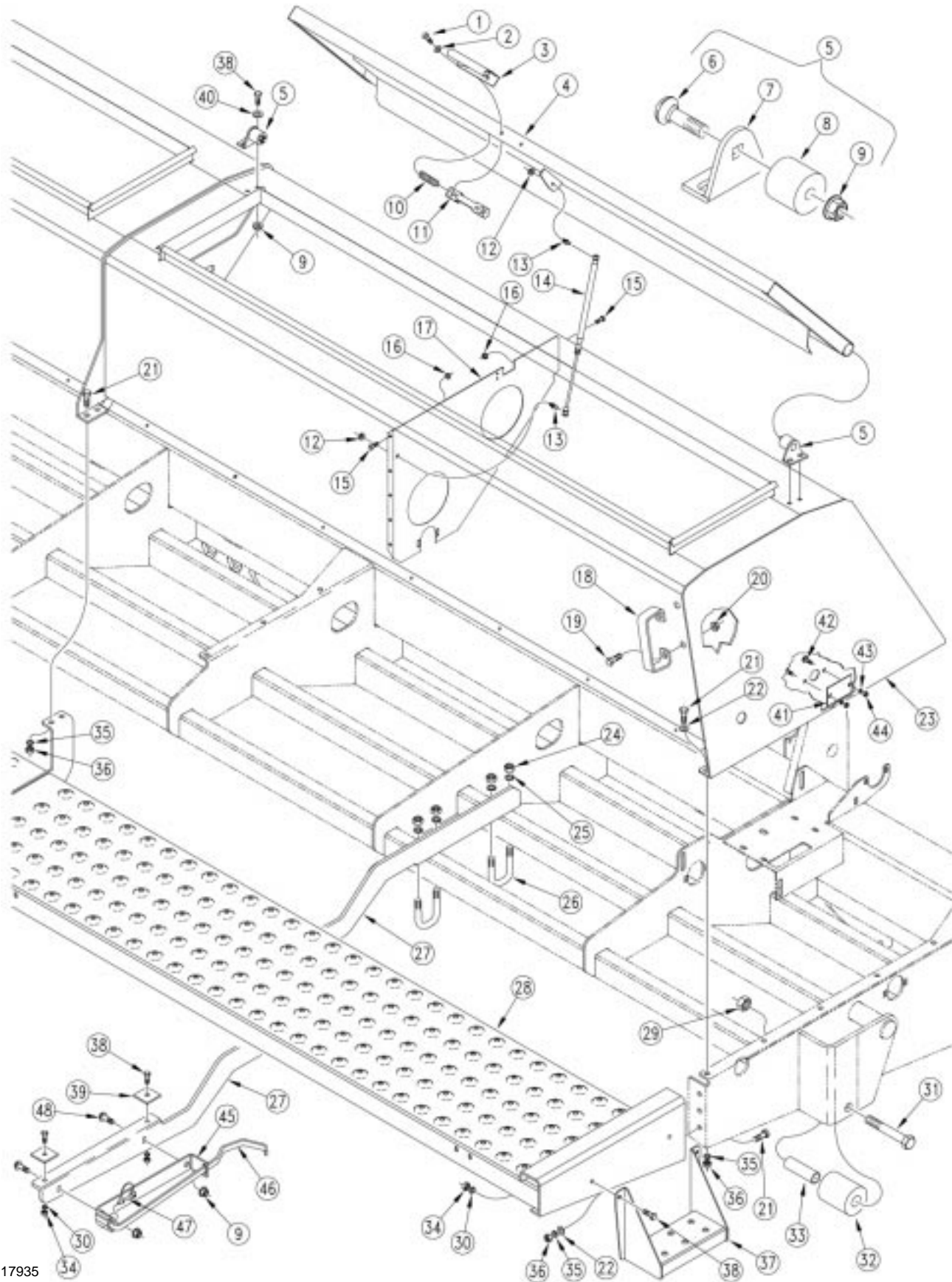
**Box Frames to Toolbar**

Ref.	Part No.	Part Description	Comments
1.	197-056H	30' RH FRAME WELDMENT 7 1/2-10	
	197-058H	24' RH FRAME WELDMENT 7 1/2-10	
	197-063H	30' RH FRAME WELDMENT 8	
	197-065H	24' RH FRAME WELDMENT 8	
2.	197-055H	30' LH FRAME WELDMENT 7 1/2-10	
	197-057H	24' LH FRAME WELDMENT 7 1/2-10	
	197-062H	30' LH FRAME WELDMENT 8	
	197-064H	24' LH FRAME WELDMENT 8	
3.	890-005C	BUSHING CYL 1 1/4 X 1 X 1	
4.	196-135H	FLEX LUG WELDMENT	
5.	890-126C	BUSHING PIVOT PIN 1 1/2 ID	
6.	804-029C	WASHER FLAT 1 SAE	
7.	810-217C	CYL 3.5X8X1.5 ROD (TIE ROD)	Refer to page 9-49 for breakdown.
	810-220C	CYL 4 1/4X8X1.5 ROD (TIE ROD)	Refer to page 9-51 for breakdown.
8.	196-142H	EYEBOLT WELDMENT	
9.	803-032C	NUT HEX JAM 1 1/4-7 PLT	
10.	804-030C	WASHER LOCK 1 1/4 SPRING PLT	
11.	803-034C	NUT HEX 1 1/4-7 PLT	
12.	197-219D	FLEX LINK PIVOT PIN	
13.	805-125C	PIN ROLL 5/16 X 2 1/2 PLT	
14.	802-010C	HHCS 5/16-18X1 1/4 GR5	
15.	804-009C	WASHER LOCK SPRING 5/16 PLT	
16.	196-112D	HOSE CLAMP BRACKET	
17.	802-426C	HHCS 1 1/4-7X3 1/2 GR5	
18.	197-061S	PIVOT SPINDLE ASSY	
19.	804-030C	WASHER LOCK 1 1/4 SPRING PLT	
20.	803-034C	NUT HEX 1 1/4-7 PLT	
21.	805-004C	PIN CLEVIS 1 X 2 3/4 USABLE LG	
22.	805-032C	PIN HAIR COTTER .148 WIRE	
23.	156-014E	ADJ LINK WELDMENT LH THD	
24.	197-094H	PULLCABLE ADJUSTMENT WELDMENT	
25.	803-046C	NUT HEX JAM 1 1/4-7 LH THD PLT	
26.	890-293C	30' 2SNT PULLBAR CABLE	Not available. Order 196-210K.
	890-294C	24' 2SNT PULLBAR CABLE	Not available. Order 196-211K.
27.	816-174C	SEAL 5.75 ID X 7.000 X .625	
28.	822-121C	BEARING CONE 4 1/2 ID 64450	
29.	822-123C	BEARING CONE 3 1/2 ID 593	
30.	804-105C	WASHER BEARING TONGUED K91517	
31.	804-104C	WASHER BEARING LOCK, TW117	
32.	803-213C	NUT BEARING LOCK, TAN-17	
33.	196-321D	TOOL BAR CAP	
34.	804-009C	WASHER LOCK SPRING 5/16 PLT	
35.	802-007C	HHCS 5/16-18X3/4 GR5	
36.	822-124C	BEARING CUP 3 1/2 ID 592A	
37.	822-122C	BEARING CUP 4 1/2 ID 64700	
38.	805-196C	PIN CLEVIS 1 1/4 X 3 3/8 GR5	
39.	805-060C	PIN COTTER 7/32 X 2	
40.	803-032C	NUT HEX JAM 1 1/4-7 PLT	
41.	197-267D	PULLBAR LIMITER MOUNT-FIELD	
42.	197-265D	LH PULLBAR LIMITER-FIELD	
43.	197-266D	RH PULLBAR LIMITER-FIELD	
44.	802-639C	HHCS 3/8-16X7 GR5 PLT	
45.	804-013C	WASHER LOCK SPRING 3/8 PLT	
46.	803-014C	NUT HEX 3/8-16 PLT	
47.	890-651C	30' 2SNT PULLCABLE	
	890-652C	24' 2SNT PULLCABLE	
48.	803-032C	NUT HEX JAM 1 1/4-7 PLT	
49.	196-209H	PULLCABLE ADJUSTER	
50.	196-210K	30' PULLCABLE ASSEMBLY	
	196-211K	24' PULLCABLE ASSEMBLY	

**Legend:** ● = 1st revision; ● = 2nd revision; ● = 3rd revision; ● = use up existing stock; ⊗ = not interchangeable; ⊗ ⊕ ● = for example: revision 2 is not interchangeable w/revision 1



*Box and Walkboard*



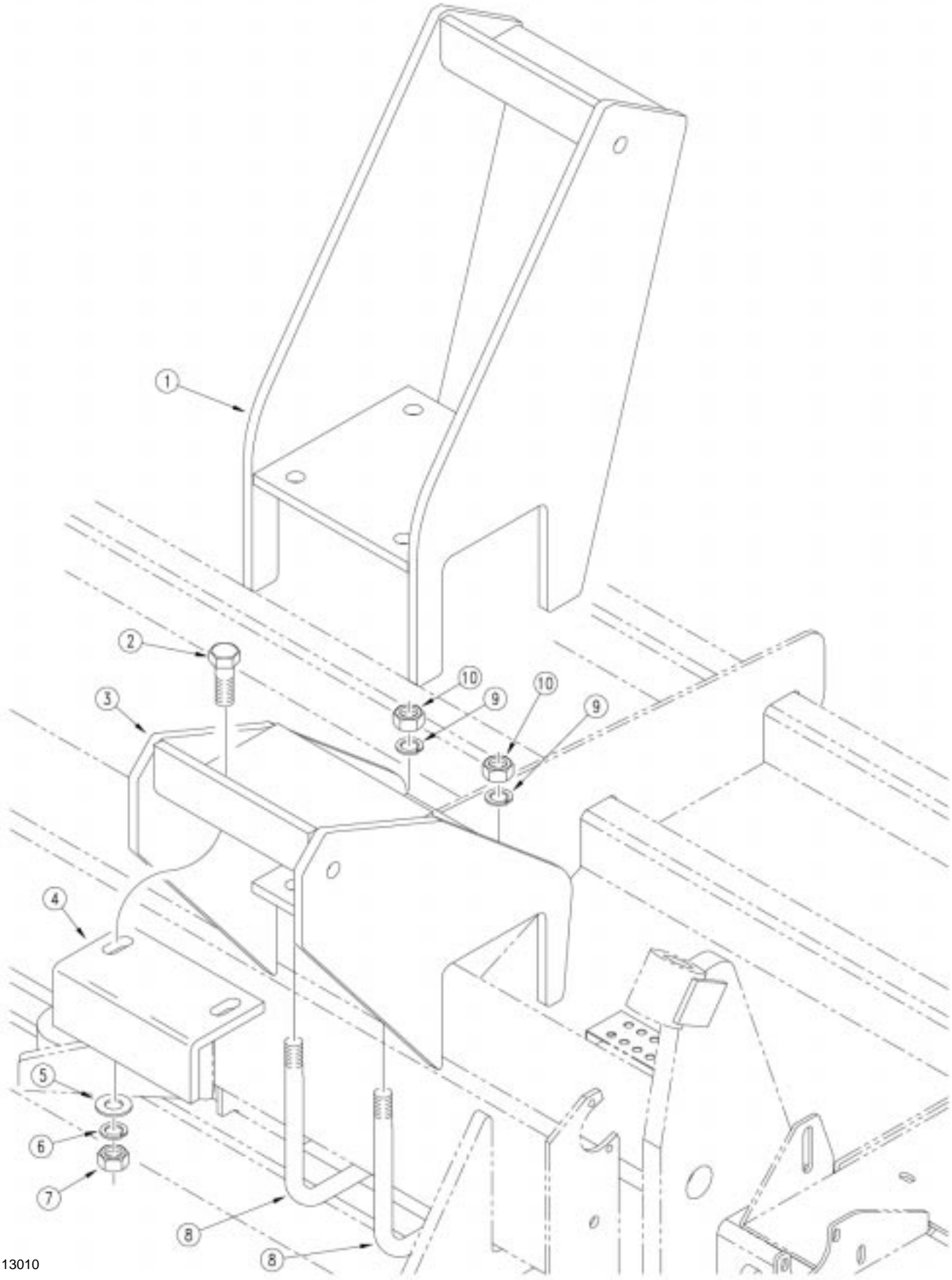
17935

**Box and Walkboard**

Ref.	Part No.	Part Description	Comments
1.	802-425C	HHCS 5/16-18X1 1/4 NYL	
2.	804-010C	WASHER FLAT 5/16 USS PLT	
3.	119-154D	LID HANDLE	
4.	119-230H	LID 76 7/8 SEED	
	119-231H	LID 126 11/16 SEED	
5.	313-076S	LID HINGE ASSEMBLY PS25120	Includes items 6 through 9
6.	802-411C	RHSNB 3/8-16X2 GR5	
7.	313-176D	LID HINGE BASE PLATE	
8.	313-186D	LID HINGE PIVOT	
9.	803-209C	NUT FLANGE LOCK 3/8-16 PLT	
10.	807-106C	SPRING .540 O.D.X 1 1/4 X.054W	
11.	119-153D	LATCH CASTING MACHINED	
12.	803-011C	NUT LOCK 5/16-18 PLT	
13.	800-121C	BALL STUD 10MM X 5/16-18 UNC	
14.	890-221C	12-20 x 90 LB GAS SPRING	
15.	802-387C	HFS 5/16-18X3/4 GR5	
16.	803-199C	NUT HEX FLANGE 5/16-18 PLT	
17.	197-168D	BOX PARTITION	
18.	119-190D	HANDLE	
19.	802-203C	HFSS 1/2-13X1 1/2 GR5	
20.	803-169C	NUT HEX FLG. LOCK 1/2-13 PLT.	
21.	802-034C	HHCS 1/2-13X1 1/4 GR5	
22.	804-017C	WASHER FLAT 1/2 USS PLT	
23.	197-053H	30' 2SNT BOX WELDMENT	
	197-054H	24' 2SNT BOX WELDMENT	
24.	803-021C	NUT HEX 5/8-11 PLT	
25.	804-022C	WASHER LOCK SPRING 5/8 PLT	
26.	806-113C	U-BOLT 5/8-11 X 2 1/32 X 4 3/8	
27.	119-208D	2SNT WALKBOARD SUPPORT	
28.	119-251H	30' WALKBOARD WELDMENT	
	119-252H	24' WALKBOARD WELDMENT	
29.	803-083C	NUT HEX JAM 1-8 NYLON INSERT	(S/N 1692- on 24' Drills and S/N 1904- on 30' Drills)
30.	804-013C	WASHER LOCK SPRING 3/8 PLT	
31.	802-205C	HHCS 1-8X5 1/2 GR5	(S/N 1692- on 24' Drills and S/N 1904- on 30' Drills)
32.	197-231D	TRANSPORT ROLLER	(S/N 1692- on 24' Drills and S/N 1904- on 30' Drills)
33.	197-232D	TRANSPORT ROLLER SPACER TUBE	(S/N 1692- on 24' Drills and S/N 1904- on 30' Drills)
34.	803-014C	NUT HEX 3/8-16 PLT	
35.	804-015C	WASHER LOCK SPRING 1/2 PLT	
36.	803-020C	NUT HEX 1/2-13 PLT	
37.	119-253H	2SNT STEP LADDER WELDMENT	
38.	802-079C	HHCS 3/8-16X1 1/4 GR5	
39.	119-032D	3-PT STEP RETAINER	
40.	804-011C	WASHER FLAT 3/8 USS PLT	
41.	118-403D	BEARING CUTOFF COVER, 47 MST	
42.	802-092C	RHSNB 5/16-18X3/4 GR5	
43.	804-009C	WASHER LOCK SPRING 5/16 PLT	
44.	803-008C	NUT HEX 5/16-18 PLT	
45.	119-211D	OPENER HANDLE HOLDER	1998+
46.	198-215D	20 SER SEED-LOK HANDLE	1998+
47.	805-065C	PIN WIRE RETAINING 1/4 X 1 3/4	1998+
48.	802-388C	HFS 3/8-16X1 GR5	1998+

Legend: ● = 1st revision; ● = 2nd revision; ● = 3rd revision; ● = use up existing stock; ⊗ = not interchangeable; ⊗ ⊕ ● = for example: revision 2 is not interchangeable w/revision 1

*Weight Bracket (Option)*



13010

**Weight Bracket (Option)**

Ref.	Part No.	Part Description	Comments
1.	197-111H	24' WEIGHT BRACKET WELDMENT	
2.	802-057C	HHCS 5/8-11X2 1/4 GR5	
3.	197-107H	WEIGHT BRACKET WELDMENT	
4.	197-062D	WEIGHT BRACKET ADJ LEG	
5.	804-019C	WASHER FLAT 5/8 USS PLT	
6.	804-022C	WASHER LOCK SPRING 5/8 PLT	
7.	803-021C	NUT HEX 5/8-11 PLT	
8.	806-089C	U-BOLT 3/4-10 X 6 1/16 X 9 5/8	
9.	804-023C	WASHER LOCK SPRING 3/4 PLT	
10.	803-027C	NUT HEX 3/4-10 PLT	

**Legend:** ① = 1st revision; ② = 2nd revision; ③ = 3rd revision; ● = use up existing stock; ⊗ = not interchangeable; ⊗ ① ② = for example: revision 2 is not interchangeable w/revision 1



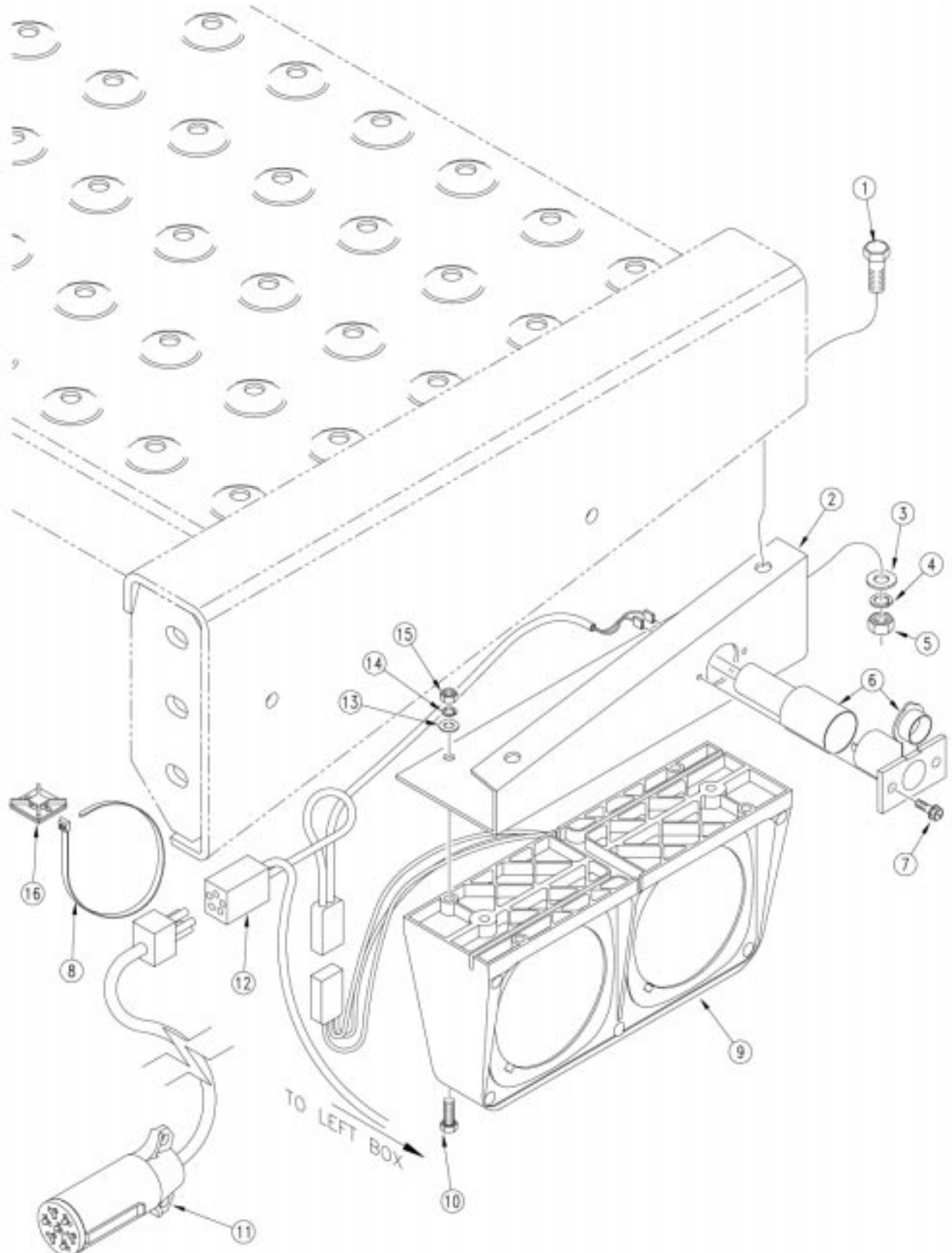
**Seed Level Indicator**

Ref.	Part No.	Part Description	Comments
1.	817-086C	SEED LEVEL BUSHING	
2.	⊗ 817-350C	SEED LEVEL INDICATOR	Use with item 21.
	● ① 197-023H	INDICATOR OB RPLCD BY 817-350C	Use with item 3.
3.	801-045C	SCREW SET 1/4-28X1/4 KNL CUP	
4.	818-295C	DECAL LETTER E	No longer available. Order part no. 838-237C.
5.	818-296C	DECAL LETTER F	No longer available. Order part no. 838-237C.
6.	⊗ 838-237C	DECAL SEED LEVEL LH	
	① 818-392C	DECAL SEED LEVEL, NOTCHED	
7.	118-474H	SEED LEVEL ARM, 6 3/4R. TAB	
8.	⊗ 801-096C	HFS 10-24 X 1 1/8 PLTD	
	● ① 801-085C	SCR RD HD 10-24X1 1/2 LG PLT	
9.	⊗ 817-202C	SEED LEVEL ARM MOUNT	
	● ① 197-090D	OBSOLETE REPLACED BY 817-202C	
10.	197-089D	FOAM FLOAT	
11.	197-096D	FOAM FLOAT WASHER	
12.	804-075C	WASHER FLAT 1/4 USS PLT	
13.	803-003C	NUT HEX SS 1/4-20 NYLOCK	
14.	890-195C	CABLE F/ BOX LEVEL INDICATOR	
15.	805-067C	PIN COTTER 1/8 X 3/4	
16.	118-498D	SEED FLOAT DOWN FLOAT STOP	
17.	804-004C	WASHER INTERNAL STAR #10 PLT	
18.	803-001C	NUT HEX 10-24 PLT	
19.	800-101C	RIVET POP 1/8 .125 AD42BSLF	
20.	197-091D	SEED LEVEL CHAIN BRACKET	
21.	801-154C	SCR HEX HD SHT MET #8 X 1/2	

**Legend:** ● = 1st revision; ⊗ = 2nd revision; ⊕ = 3rd revision; ● = use up existing stock; ⊗ = not interchangeable; ⊗ ① ⊗ = for example: revision 2 is not interchangeable w/revision 1



Lights (S/N C1001-C1732 24' Drills S/N D1001-D1953 30' Drills)



12818

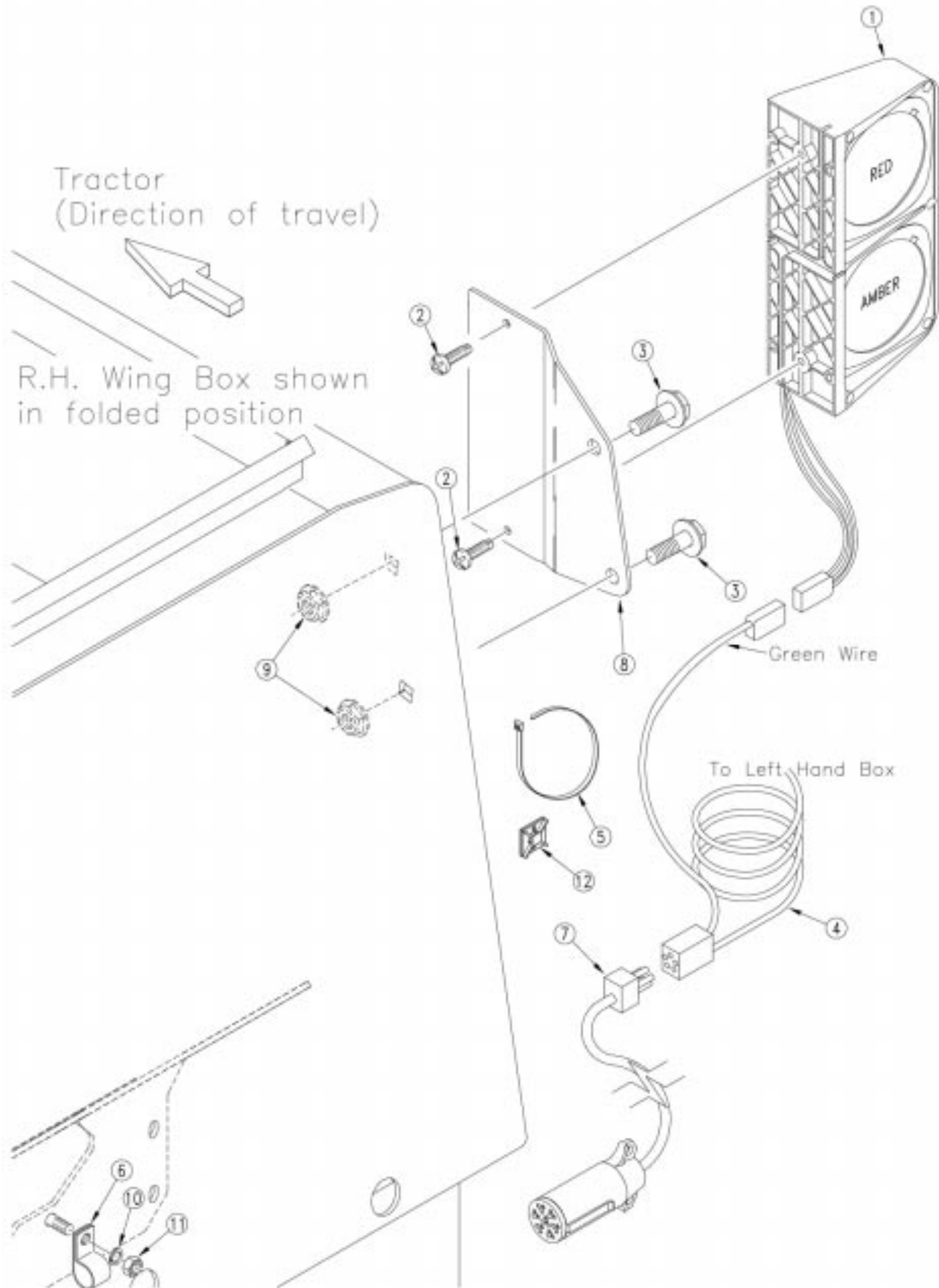


**Lights (S/N C1001-C1732 24' Drills S/N D1001-D1953 30' Drills)**

Ref.	Part No.	Part Description	Comments
1.	802-017C	HHCS 3/8-16X1 GR5	
2.	196-342D	LIGHT MOUNTING BRACKET LH	Shown
	196-343D	LIGHT MOUNTING BRACKET RH	
3.	804-012C	WASHER FLAT 3/8 SAE PLT	
4.	804-013C	WASHER LOCK SPRING 3/8 PLT	
5.	803-014C	NUT HEX 3/8-16 PLT	
6.	106399	LIGHT HARNESS AUX. PLUG	
7.	801-002C	SCREW HEX SLT10-16X3/8P.THD CT	
8.	800-149C	CABLE TIE 6 LONG REL.	
9.	890-311C	DUAL AG LIGHTS LH	Shown
	890-312C	DUAL AG LIGHTS RH	
10.	⊗ <b>802-005C</b>	<b>HHCS 1/4-20X1 GR5</b>	
	● <b>802-224C</b>	<b>HHCS 1/4-20X1 1/4 GR5</b>	
11.	890-313C	AG LIGHT WIRING HARNESS-28'	
	890-317C	AG LIGHT WIRING HARNESS-25'	
12.	890-314C	AG LIGHT WIRING HARNESS-DRILL	
13.	804-007C	WASHER FLAT 1/4 SAE PLT	
14.	804-006C	WASHER LOCK SPRING 1/4 PLT	
15.	803-006C	NUT HEX 1/4-20 PLT	
16.	800-148C	CABLE TIE MOUNT	

**Legend:** ● = 1st revision; ⊗ = 2nd revision; ⊕ = 3rd revision; ● = use up existing stock; ⊗ = not interchangeable; ⊗ ⊕ = for example: revision 2 is not interchangeable w/revision 1

Lights (S/N C1733+ 24' Drills S/N D1954+ 30' Drills)



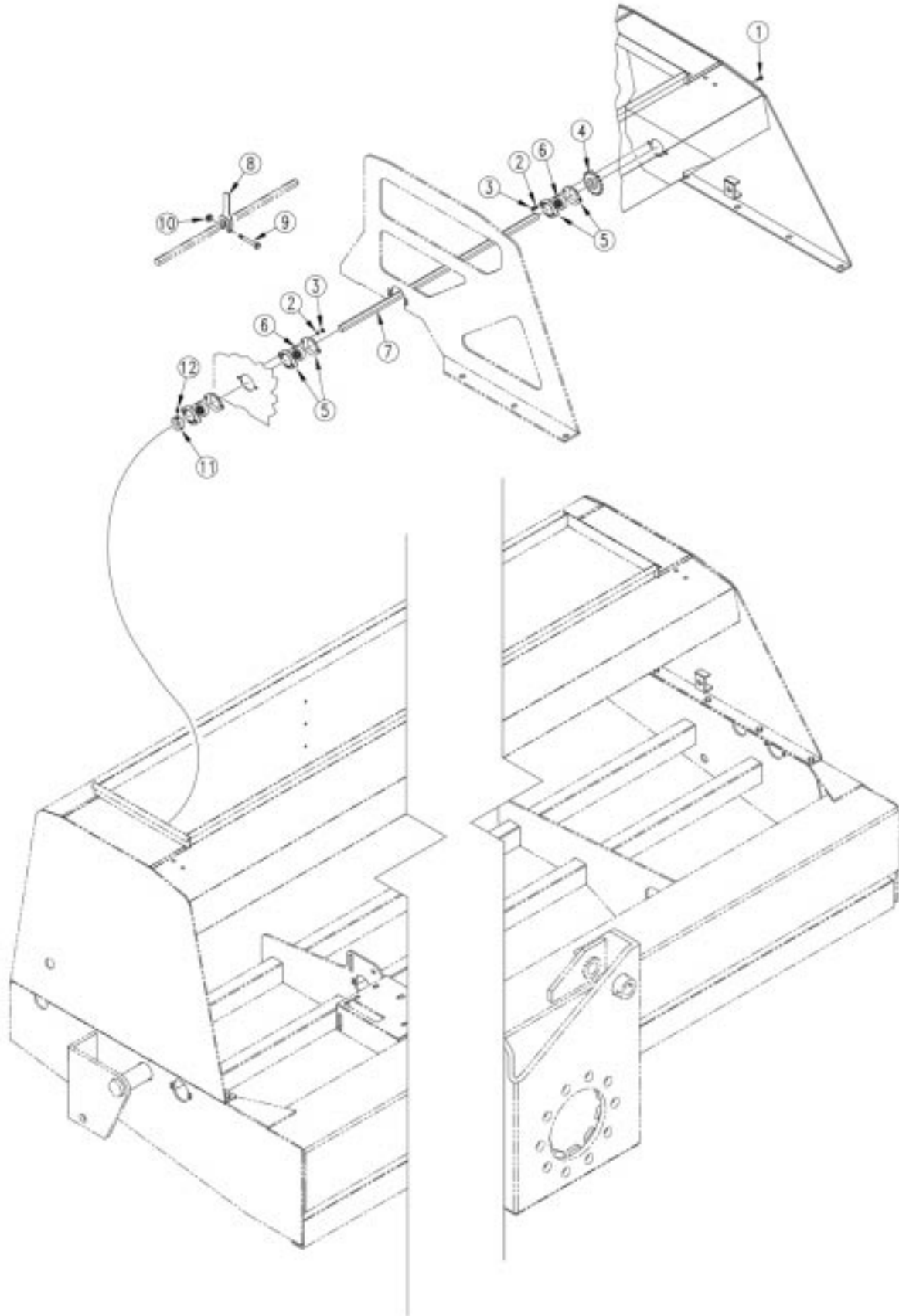
15449

**Lights (S/N C1733+ 24' Drills S/N D1954+ 30' Drills)**

Ref.	Part No.	Part Description	Comments
1.	890-312C	DUAL AG LIGHTS RH	Shown
	890-311C	DUAL AG LIGHTS LH	
2.	802-224C	HHCS 1/4-20X1 1/4 GR5	
3.	802-203C	HFSS 1/2-13X1 1/2 GR5	
4.	890-314C	AG LIGHT WIRING HARNESS-DRILL	
5.	800-149C	CABLE TIE 6 LONG REL.	
6.	800-064C	HOSE CLIP 13/16 ID	
7.	890-313C	AG LIGHT WIRING HARNESS-28'	
8.	195-112D	PLATE, AG LIGHT RH	Shown
	195-165D	PLATE, AG LIGHT LH	
9.	803-006C	NUT HEX 1/4-20 PLT	
10.	804-006C	WASHER LOCK SPRING 1/4 PLT	
11.	803-169C	NUT HEX FLG. LOCK 1/2-13 PLT	

**Legend:** ● = 1st revision; ● = 2nd revision; ● = 3rd revision; ● = use up existing stock; ⊗ = not interchangeable; ⊗ ① ● = for example: revision 2 is not interchangeable w/revision 1

*Seed Box Agitator (Option)*



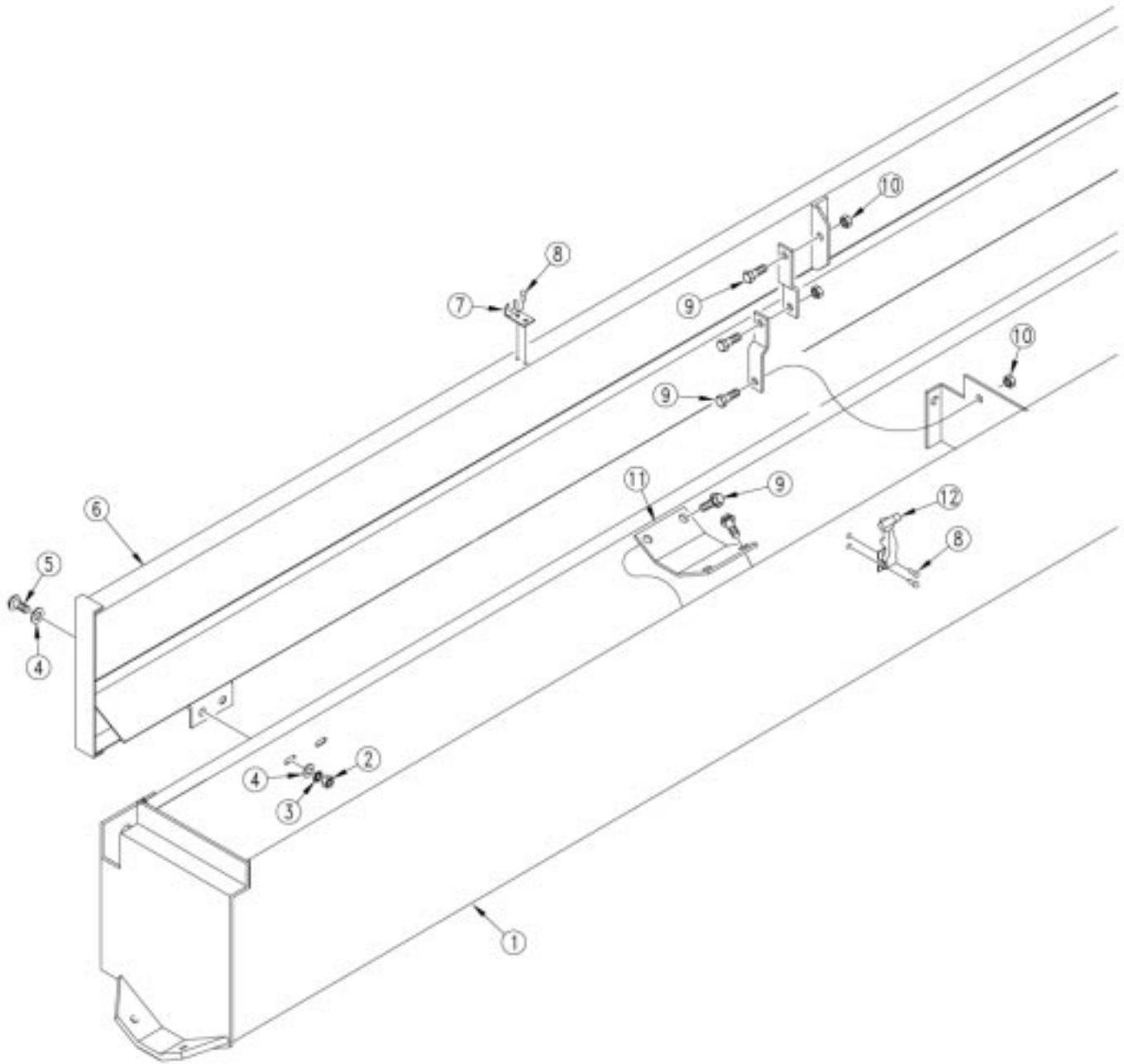
13329

**Seed Box Agitator (Option)**

Ref.	Part No.	Part Description	Comments
1.	802-092C	RHSNB 5/16-18X3/4 GR5	
2.	804-009C	WASHER LOCK SPRING 5/16 PLT	
3.	803-008C	NUT HEX 5/16-18 PLT	
4.	⊕ <b>808-125C</b>	<b>SPKT 40B19X1 B MAX .875 THRU</b>	
	● ⊕ <b>152-312D</b>	<b>REPLACED BY 808-125C</b>	
	● ① <b>808-052C</b>	<b>OBSOLETE REPLACED BY 152-312D</b>	
5.	822-041C	FLANGETTE 47 MST	
6.	822-128C	BEARING 3/4HEX B 47MM SPHER OD	
7.	118-499D	30' 2SNT AGITATOR SHAFT	
	118-500D	24' 2SNT AGITATOR SHAFT	
8.	118-493D	AGITATOR PADDLE 3/4 HEX	
9.	802-448C	HFSS 1/4-20X2 GR5	
10.	803-088C	NUT HEX LOCK 1/4-20 FLG	
11.	118-494D	LOCK COLLAR 3/4 HEX BORE	
12.	801-035C	SCREW SET 5/16-18 SKT KP X 3/8	

**Legend:** ● = 1st revision; ⊕ = 2nd revision; ⊕ = 3rd revision; ● = use up existing stock; ⊗ = not interchangeable; ⊗ ① ⊕ = for example: revision 2 is not interchangeable w/revision 1

*Small Seeds Box (Option)*



12043

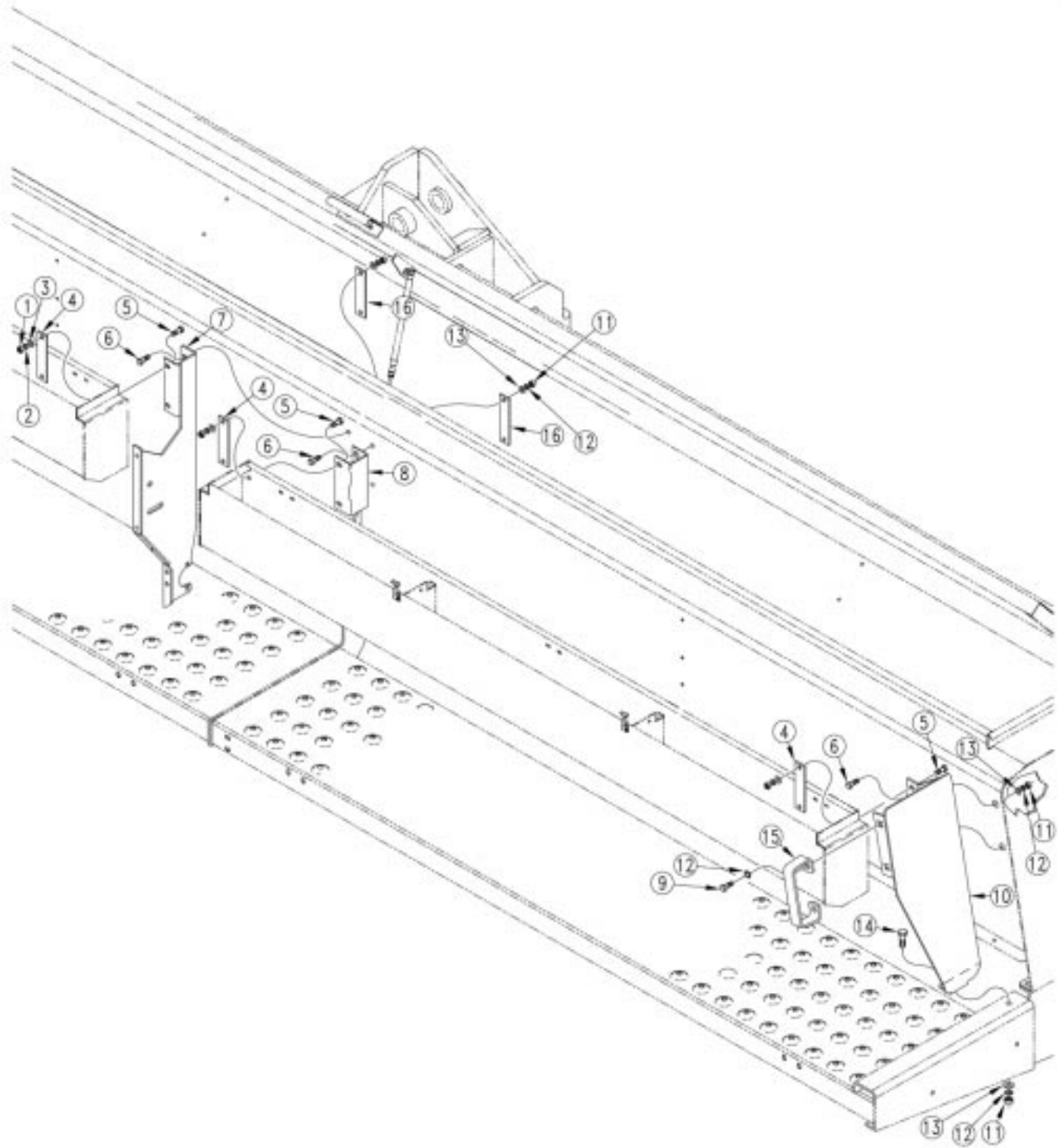
**Small Seeds Box (Option)**

Ref.	Part No.	Part Description	Comments
1.	133-001H	30' 7 1/2 SGS BOX WELDMENT	
	133-002H	30' 10 SGS BOX WELDMENT	
	133-003H	24' 7 1/2 SGS LH BOX WELDMENT	
	133-004H	24' 7 1/2 SGS RH BOX WELDMENT	
	133-005H	24' 10 SGS BOX WELDMENT	
2.	803-001C	NUT HEX 10-24 PLT	
3.	804-054C	WASHER LOCK #10	
4.	804-046C	WASHER FLAT #10 SAE PLT	
5.	801-003C	SCREW RD HD SLT 10-24X1/2 PLT	
6.	123-472H	24' 2SNT SGS BOX LID WELDMENT	
	123-471H	30' 2SNT SGS BOX LID WELDMENT	
7.	816-113C	LATCH KEEPER 37-15-061-17	
8.	800-101C	RIVET POP 1/8 .125 AD42BSLF	
9.	802-078C	HHCS 1/4-20X5/8 GR5	
10.	803-007C	NUT LOCK 1/4-20 PLT	
11.	123-118D	SEED ADJUSTMENT SUPPORT	
12.	816-112C	RUBBER LATCH 37-11-065-10	

**Legend:** ● = 1st revision; ● = 2nd revision; ● = 3rd revision; ● = use up existing stock; ⊗ = not interchangeable; ⊗ ① ● = for example: revision 2 is not interchangeable w/revision 1



24' Small Seeds Box Mounting (Option)



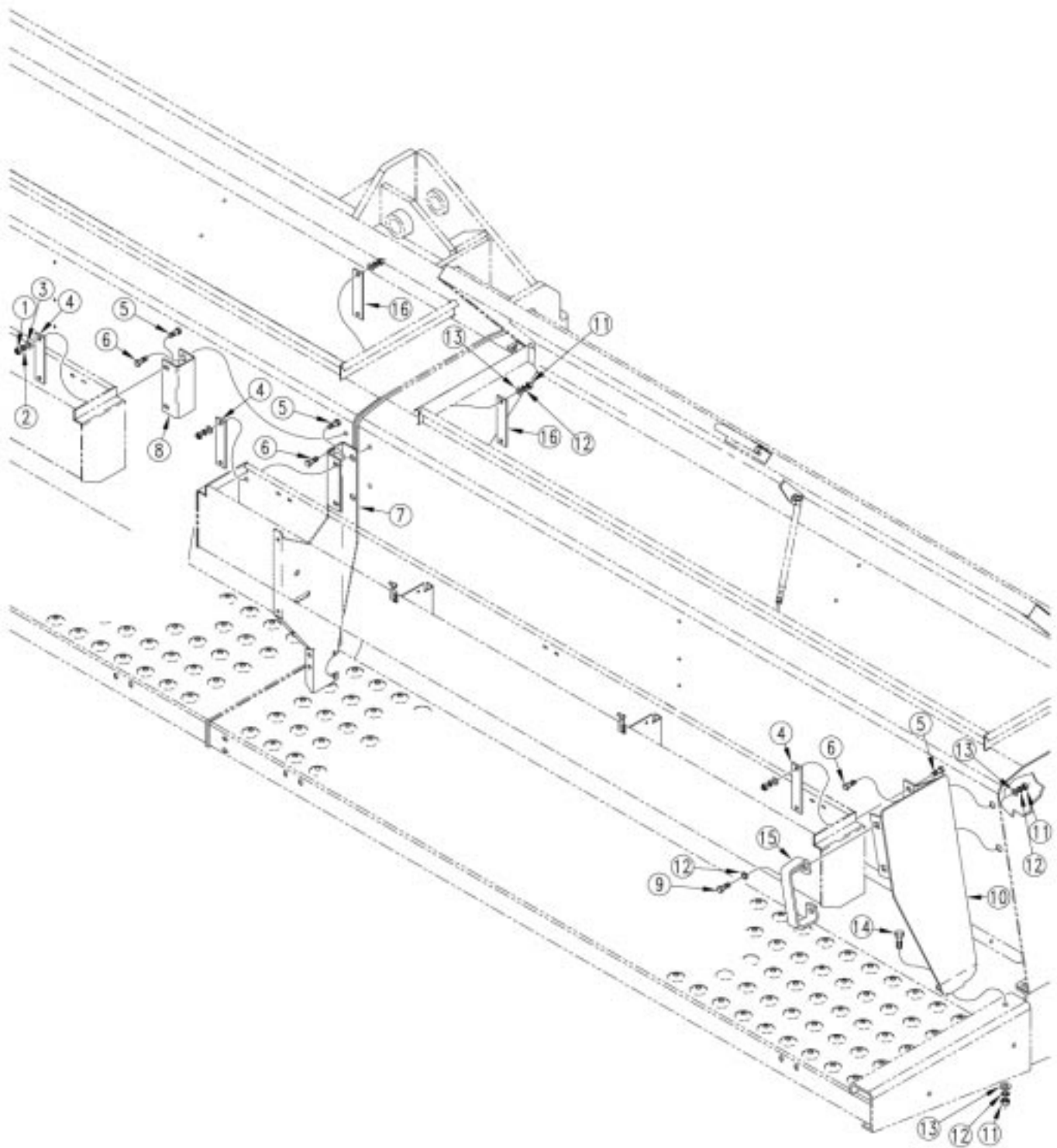
13357

**24' Small Seeds Box Mounting (Option)**

Ref.	Part No.	Part Description	Comments
1.	803-014C	NUT HEX 3/8-16 PLT	
2.	804-013C	WASHER LOCK SPRING 3/8 PLT	
3.	804-012C	WASHER FLAT 3/8 SAE PLT	
4.	133-016D	SGS MOUNT REINFORCEMENT STRAP	
5.	802-079C	HHCS 3/8-16X1 1/4 GR5	
6.	802-091C	HHCS 1/2-13X1 1/2 GR5	
7.	113-008H	MANUAL MARKER LOCK ASSEMBLY	
8.	133-013D	SGS BOX CHANNEL MOUNT	
9.	802-032C	HHCS 1/2-13X3/4 GR5	
10.	133-006H	SGS END MOUNT WELDMENT LH	
	133-007H	SGS END MOUNT WELDMENT RH	
11.	803-020C	NUT HEX 1/2-13 PLT	
12.	804-015C	WASHER LOCK SPRING 1/2 PLT	
13.	804-016C	WASHER FLAT 1/2 SAE PLT	
14.	802-034C	HHCS 1/2-13X1 1/4 GR5	
15.	119-190D	HANDLE	
16.	133-017D	SEED BOX REINFORCEMENT STRAP	

**Legend:** ● = 1st revision; ● = 2nd revision; ● = 3rd revision; ● = use up existing stock; ⊗ = not interchangeable; ⊗ ① ● = for example: revision 2 is not interchangeable w/revision 1

**30' Small Seeds Box Mounting (Option)**



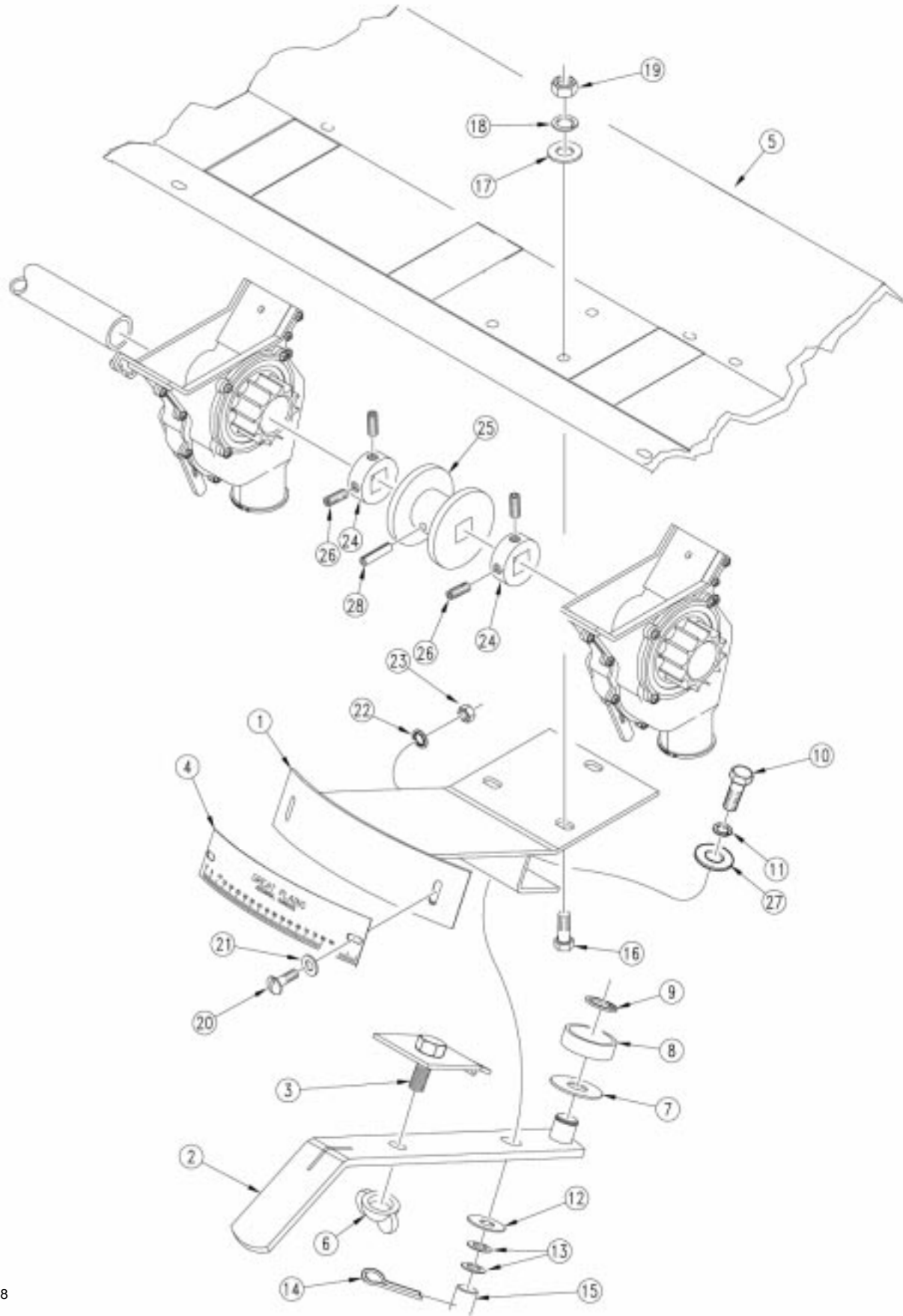
14076

**30' Small Seeds Box Mounting (Option)**

Ref.	Part No.	Part Description	Comments
1.	803-014C	NUT HEX 3/8-16 PLT	
2.	804-013C	WASHER LOCK SPRING 3/8 PLT	
3.	804-012C	WASHER FLAT 3/8 SAE PLT	
4.	133-016D	SGS MOUNT REINFORCEMENT STRAP	
5.	802-079C	HHCS 3/8-16X1 1/4 GR5	
6.	802-091C	HHCS 1/2-13X1 1/2 GR5	
7.	113-030H	DISK SHAFT MOUNT	
8.	133-013D	SGS BOX CHANNEL MOUNT	
9.	802-032C	HHCS 1/2-13X3/4 GR5	
10.	133-006H	SGS END MOUNT WELDMENT LH	
	133-007H	SGS END MOUNT WELDMENT RH	
11.	803-020C	NUT HEX 1/2-13 PLT	
12.	804-015C	WASHER LOCK SPRING 1/2 PLT	
13.	804-016C	WASHER FLAT 1/2 SAE PLT	
14.	802-034C	HHCS 1/2-13X1 1/4 GR5	
15.	119-190D	HANDLE	
16.	133-017D	SEED BOX REINFORCEMENT STRAP	

**Legend:** ● = 1st revision; ● = 2nd revision; ● = 3rd revision; ● = use up existing stock; ⊗ = not interchangeable; ⊗ ① ● = for example: revision 2 is not interchangeable w/revision 1

**Seed Rate Handle**



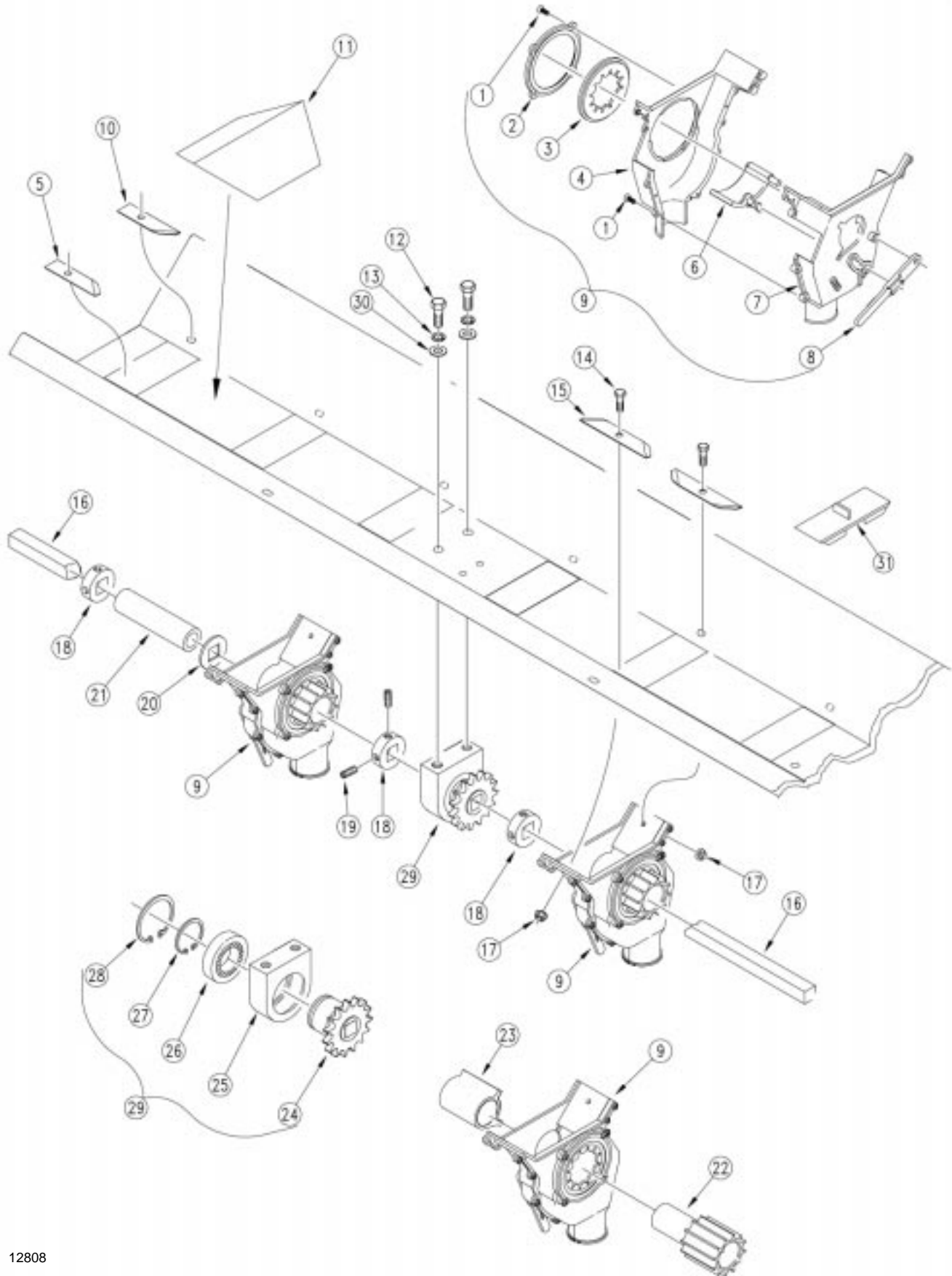
13808

**Seed Rate Handle**

Ref.	Part No.	Part Description	Comments
1.	118-444H	SEED RATE ADJ WLDMNT	
2.	118-443H	SEED RATE ADJ HANDLE WLDMNT	
3.	109-025H	ADJ LOCK PLATE ASS'Y - 1 1/2 W	
4.	819-001C	NAME PLATE ADJ GAUGE LONG	
5.		FEEDER CUP CHANNELS	Refer to <b>Feeder Cup Spacings</b> page 5-5, page 5-5 & page 5-9.
6.	803-016C	NUT WING 1/2-13 PLT	
7.	804-001C	WASHER ADJ HANDLE BRG	
8.	822-008C	BEARING ADJ HANDLE 6203 2RS	
9.	800-003C	SNAP RING EXT 17 MM	
10.	802-014C	HHCS 3/8-16X3/4 GR5	
11.	804-013C	WASHER LOCK SPRING 3/8 PLT	
12.	804-021C	WASHER FLAT 5/8 SAE PLT	
13.	804-040C	WASHER MACH 1.00 X .625 X 18GA	
14.	805-016C	PIN COTTER 3/16 X 1 1/4 PLT	
15.	109-069D	ADJUSTMENT HANDLE PIVOT	
16.	802-007C	HHCS 5/16-18X3/4 GR5	
17.	804-036C	WASHER FLAT 5/16 SAE PLT	
18.	804-009C	WASHER LOCK SPRING 5/16 PLT	
19.	803-008C	NUT HEX 5/16-18 PLT	
20.	801-001C	SCREW RD HD 8-32 X 3/8 BRASS	
21.	804-003C	WASHER FLAT #8 BRASS	
22.	804-002C	WASHER INTERNAL STAR #8 BRASS	
23.	803-035C	NUT HEX 8-32 BRASS	
24.	890-350C	5/8 SHAFT LOCKING COLLAR	
25.	109-091D	MACHINED ADJUSTMENT SPOOL	
26.	801-035C	SCREW SET 5/16-18 SKT KP X 3/8	
27.	804-012C	WASHER FLAT 3/8 SAE PLT	
28.	805-023C	PIN ROLL 3/16X1 1/4 PLT	

**Legend:** ① = 1st revision; ② = 2nd revision; ③ = 3rd revision; ● = use up existing stock; ⊗ = not interchangeable; ⊗ ① ② = for example: revision 2 is not interchangeable w/revision 1

*Feeder Cup Channel*



12808

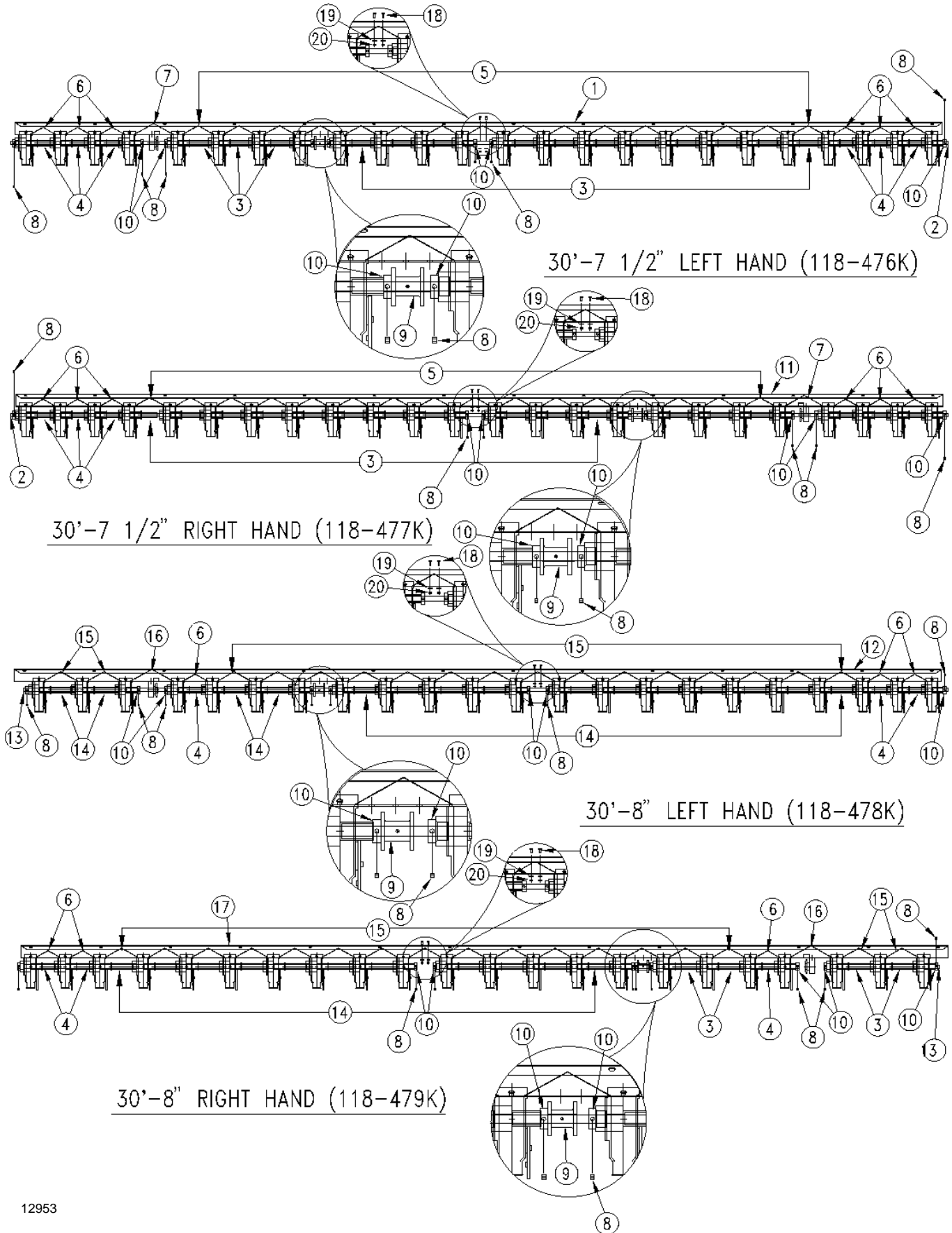


**Feeder Cup Channel**

Ref.	Part No.	Part Description	Comments
1.	801-057C	SCR SELF TAP 8X3/8 TYPE25 BT	
2.	817-073C	SEED CUP WASHER RETAINER	
3.	817-004C	NYLON WASHER	
4.	817-068C	SEED CUP LEFT HALF	
5.	118-454D	SEED BOX DIVIDER HALF CLIP RH	
6.	817-070C	SEED CUP DOOR	
7.	817-069C	SEED CUP RIGHT HALF	
8.	817-071C	SEED CUP ADJUSTMENT HANDLE	
9.	817-075C	SEED CUP ASSEMBLY	
10.	118-453D	SEED BOX DIVIDER HALF CLIP LH	
11.		BOX DIVIDER	Refer to <b>Feeder Cup Spacings</b> page 5-5, page 5-5 & page 5-9.
12.	802-014C	HHCS 3/8-16X3/4 GR5	
13.	804-013C	WASHER LOCK SPRING 3/8 PLT	
14.	802-004C	HHCS 1/4-20X3/4 GR5	
15.	118-341D	2SNT SEED BOX DIVIDER CLIP	
16.		FEEDER CUP SHAFT	Refer to <b>Feeder Cup Spacings</b> page 5-5, page 5-5 & page 5-9.
17.	803-194C	NUT HEX WHIZ 1/4-20 PLT	
18.	⊗ 890-350C	<b>5/8 SHAFT LOCKING COLLAR</b>	
	● 1 182-022D	<b>REPLACED BY 890-350C</b>	
19.	801-035C	SCREW SET 5/16-18 SKT KP X 3/8	
20.	804-031C	WASHER RETAINING	
21.		SPACER TUBE	Refer to <b>Feeder Cup Spacings</b> page 5-5, page 5-5 & page 5-9.
22.	⊗ 890-190C	<b>PM SEED CUP SPROCKET</b>	
	● 1 817-072C	<b>NYLON SEED CUP SPROCKET</b>	
23.	817-074C	SEED CUP SLEEVE	
24.	118-508D	BEARING HUB 40A15	
25.	118-336D	FEEDER CUP BEARING HOUSING	
26.	822-103C	BRG 30MM B X 55MM OD	
27.	800-004C	SNAP RING EXT BASIC 1.880	
28.	800-107C	SNAP RING INT 2.165	
29.	118-226S	FEEDER CUP BEARING ASSEMBLY	
30.	804-012C	WASHER FLAT 3/8 SAE PLT	
31.	817-087C	1 3/4 WIDE FEEDER CUP PLUG	

**Legend:** ● = 1st revision; ⊗ = 2nd revision; ⊗ = 3rd revision; ● = use up existing stock; ⊗ = not interchangeable; ⊗ ⊗ = for example: revision 2 is not interchangeable w/revision 1

**Feeder Cup Spacing**



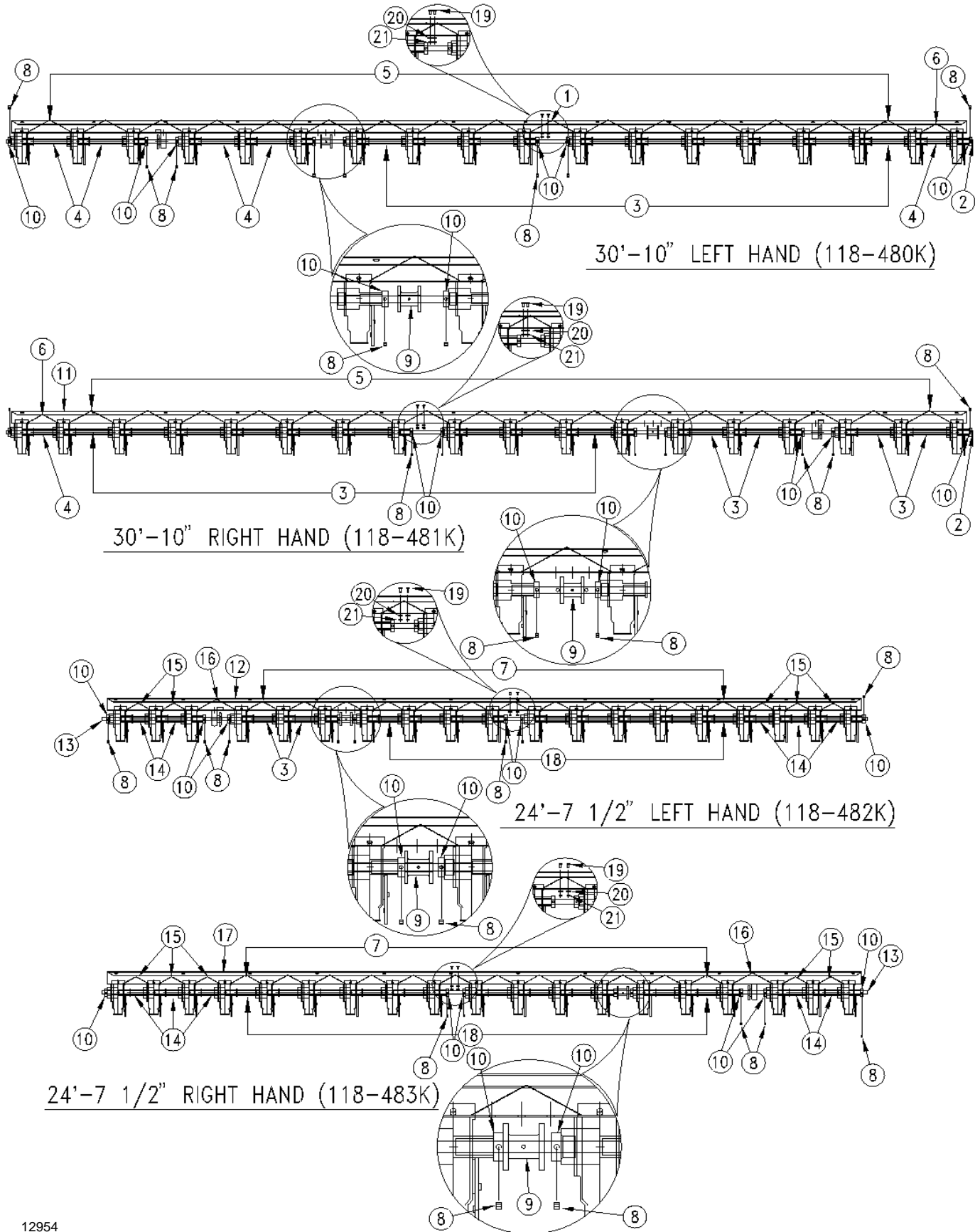
12953

**Feeder Cup Spacing**

Ref.	Part No.	Part Description	Comments
1.	118-464D	30-7 1/2 LH FDR CUP CHANNEL	
2.	118-469D	30' 7 1/2&10 FEEDER CUP SHAFT	
3.	118-346D	SPACER TUBE X 4.078	
4.	118-468D	SPACER TUBE X 2.954	
5.	118-340D	5 5/8 BOX DVDR FOR 7 1/2 ROW	
6.	118-466D	4 1/2 BOX DIVIDER - 7 1/2	
7.	118-467D	7 1/16 BOX DIVIDER - 7 1/2	
8.	801-035C	SCREW SET 5/16-18 SKT KP X 3/8	
9.	109-091D	MACHINED ADJUSTMENT SPOOL	
10.	890-350C	5/8 SHAFT LOCKING COLLAR	
	<b>804-031C</b>	<b>WASHER RETAINING</b>	<b>Replaced by 890-350C next to spool only</b>
11.	118-465D	30-7 1/2 RH FDR CUP CHANNEL	
12.	118-474D	30-8 LH FEEDER CUP CHANNEL	
13.	118-471D	30' 8 FEEDER CUP SHAFT	
14.	152-040D	4.579 FEEDER CUP SPACER	
15.	118-372D	6 1/8 BOX DVDR FOR 8 ROW	
16.	118-470D	7 3/4 BOX DIVIDER - 8	
17.	118-475D	30-8 RH FEEDER CUP CHANNEL	
18.	801-016C	SCREW RD HD 8-32 X 1/2 LG PLT	
19.	804-043C	WASHER LOCK #8	
20.	803-064C	NUT HEX 8-32	

**Legend:** ● = 1st revision; ● = 2nd revision; ● = 3rd revision; ● = use up existing stock; ⊗ = not interchangeable; ⊗ ① ● = for example: revision 2 is not interchangeable w/revision 1

**Feeder Cup Spacing**



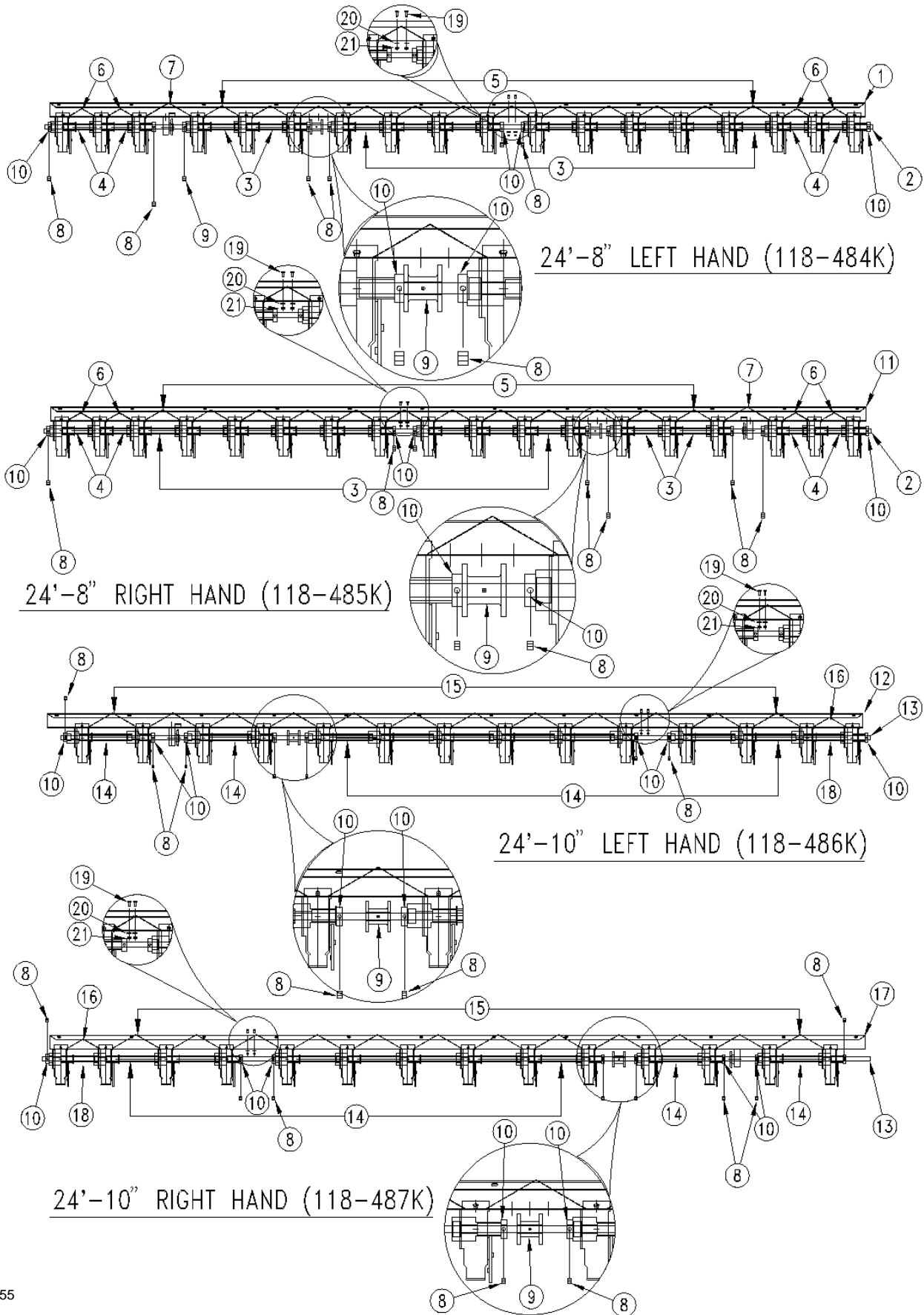
12954

**Feeder Cup Spacing**

Ref.	Part No.	Part Description	Comments
1.	118-476D	30-10 LH FEEDER CUP CHANNEL	
2.	118-469D	30' 7 1/2" FEEDER CUP SHAFT	
3.	118-353D	SPACER TUBE X 6.578	
4.	118-346D	SPACER TUBE X 4.078	
5.	118-356D	BOX DIVIDER FOR 10 ROW	
6.	118-340D	5 5/8 BOX DVDR FOR 7 1/2 ROW	
7.	118-340D	5 5/8 BOX DVDR FOR 7 1/2 ROW	
8.	801-035C	SCREW SET 5/16-18 SKT KP X 3/8	
9.	109-091D	MACHINED ADJUSTMENT SPOOL	
10.	890-350C	5/8 SHAFT LOCKING COLLAR	
	<b>804-031C</b>	<b>WASHER RETAINING</b>	<b>Replaced by 890-350C next to spool only</b>
11.	118-477D	30-10 RH FEEDER CUP CHANNEL	
12.	118-480D	24-7 1/2 LH FEEDER CUP CHANNEL	
13.	118-484D	24' 7 1/2 & 8 FEEDER CUP SHAFT	
14.	118-468D	SPACER TUBE X 2.954	
15.	118-466D	4 1/2 BOX DIVIDER - 7 1/2	
16.	118-467D	7 1/16 BOX DIVIDER - 7 1/2	
17.	118-481D	24-7 1/2 RH FEEDER CUP CHANNEL	
18.	118-346D	SPACER TUBE X 4.078	
19.	801-016C	SCREW RD HD 8-32 X 1/2 LG PLT	
20.	804-043C	WASHER LOCK #8	
21.	803-064C	NUT HEX 8-32	

**Legend:** ① = 1st revision; ② = 2nd revision; ③ = 3rd revision; ● = use up existing stock; ⊗ = not interchangeable; ⊗ ① ② = for example: revision 2 is not interchangeable w/revision 1

**Feeder Cup Spacing**



12955

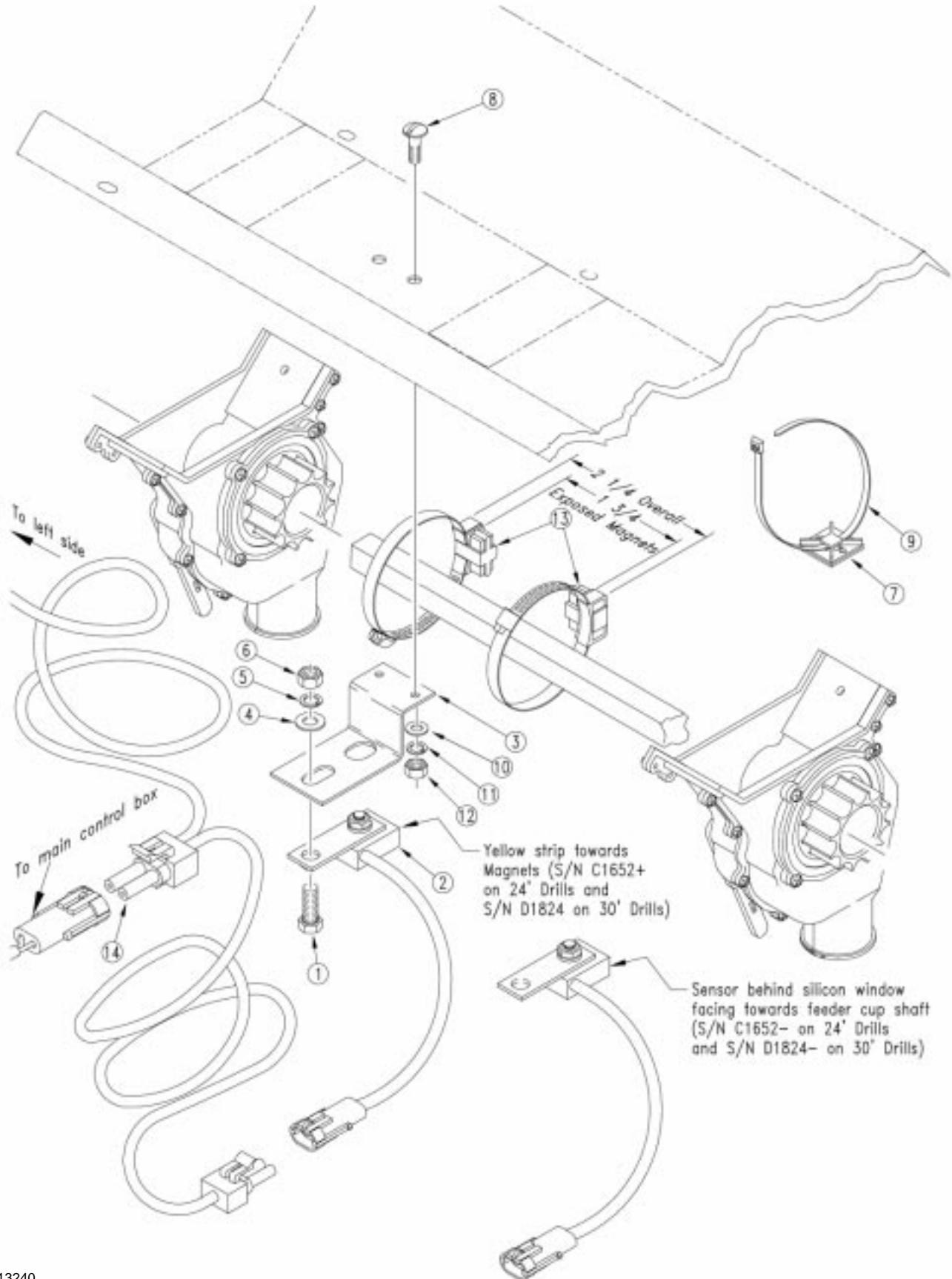
**Feeder Cup Spacing**

Ref.	Part No.	Part Description	Comments
1.	118-478D	24-8 LH FEEDER CUP CHANNEL	
2.	118-484D	24' 7 1/2 & 8 FEEDER CUP SHAFT	
3.	152-040D	4.579 FEEDER CUP SPACER	
4.	118-468D	SPACER TUBE X 2.954	
5.	118-372D	6 1/8 BOX DVDR FOR 8 ROW	
6.	118-466D	4 1/2 BOX DIVIDER - 7 1/2	
7.	118-470D	7 3/4 BOX DIVIDER - 8	
8.	801-035C	SCREW SET 5/16-18 SKT KP X 3/8	
9.	109-091D	MACHINED ADJUSTMENT SPOOL	
10.	890-350C	5/8 SHAFT LOCKING COLLAR	
	<b>804-031C</b>	<b>WASHER RETAINING</b>	<b>Replaced by 890-350C next to spool only</b>
11.	118-479D	24-8 RH FEEDER CUP CHANNEL	
12.	118-482D	24-10 LH FEEDER CUP CHANNEL	
13.	118-472D	24' 10 FEEDER CUP SHAFT	
14.	118-353D	SPACER TUBE X 6.578	
15.	118-356D	BOX DIVIDER FOR 10 ROW	
16.	118-340D	5 5/8 BOX DVDR FOR 7 1/2 ROW	
17.	118-483D	24-10 RH FEEDER CUP CHANNEL	
18.	118-346D	SPACER TUBE X 4.078	
19.	801-016C	SCREW RD HD 8-32 X 1/2 LG PLT	
20.	804-043C	WASHER LOCK #8	
21.	803-064C	NUT HEX 8-32	

**Legend:** ● = 1st revision; ● = 2nd revision; ● = 3rd revision; ● = use up existing stock; ⊗ = not interchangeable; ⊗ ① ● = for example: revision 2 is not interchangeable w/revision 1



**Shaft Monitor (Option)**



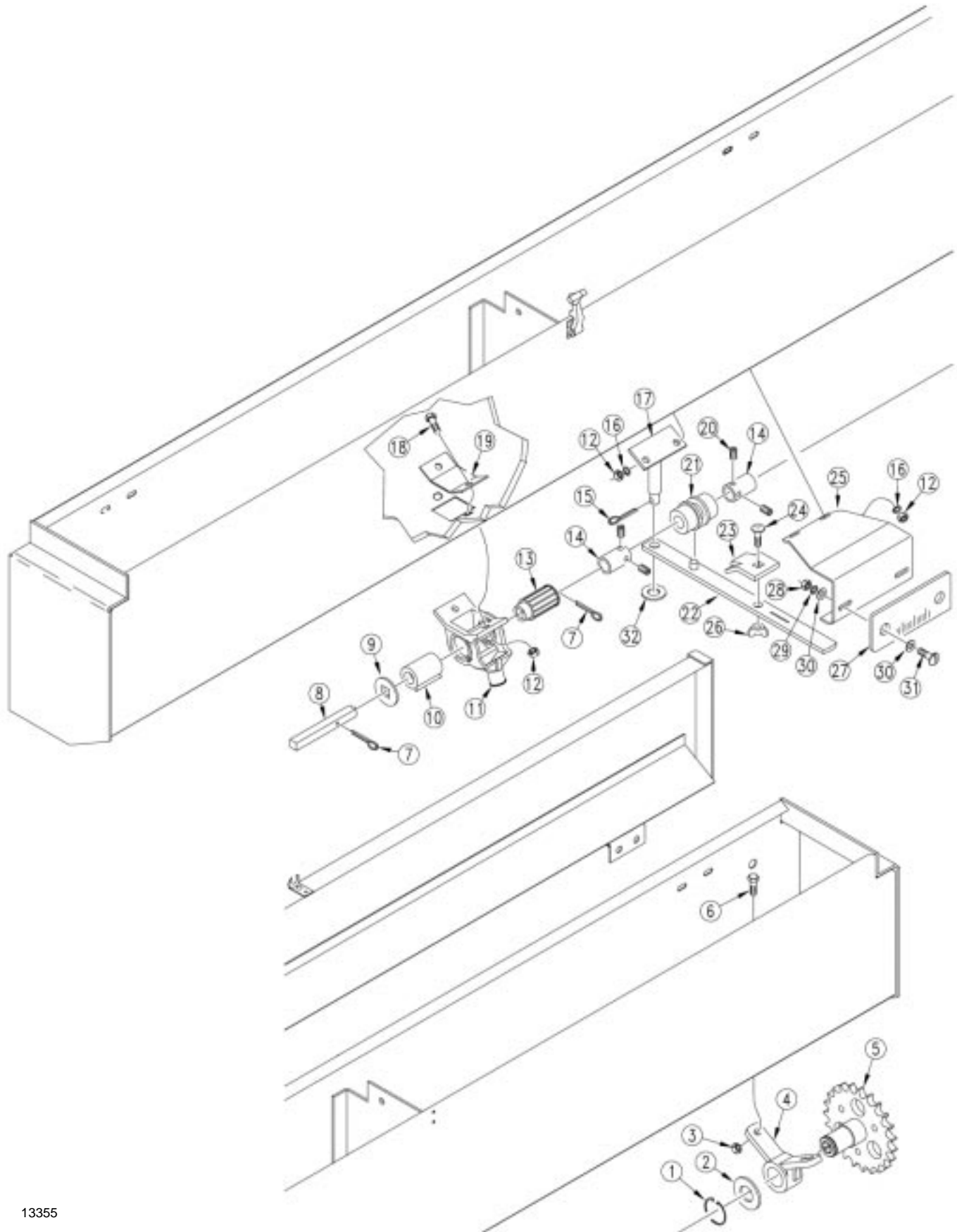
13240

**Shaft Monitor (Option)**

Ref.	Part No.	Part Description	Comments
1.	802-007C	HHCS 5/16-18X3/4 GR5	
2.	063-0159-825	RAVEN SHAFT SENSOR ASSY	
3.	116-182D	RAVEN SWITCH BRACKET	
4.	804-036C	WASHER FLAT 5/16 SAE PLT	
5.	804-009C	WASHER LOCK SPRING 5/16 PLT	
6.	803-008C	NUT HEX 5/16-18 PLT	
7.	800-148C	CABLE TIE MOUNT	
8.	801-016C	SCREW RD HD 8-32 X 1/2 LG PLT	
9.	800-149C	CABLE TIE 6 LONG REL.	
10.	804-088C	WASHER FLAT #8 SAE PLT	
11.	804-043C	WASHER LOCK #8	
12.	803-064C	NUT HEX 8-32	
13.	063-0171-101	RAVEN SHAFT MONITOR MAGNETS	
14.	115-0159-661	RAVEN SENSOR CABLE ASSY	
	823-119C	2SNT SHAFT SENSOR CABLE	Includes items 2; 13 and 14

**Legend:** ● = 1st revision; ● = 2nd revision; ● = 3rd revision; ● = use up existing stock; ⊗ = not interchangeable; ⊗ ① ● = for example: revision 2 is not interchangeable w/revision 1

*Small Seeds Metering (Option)*



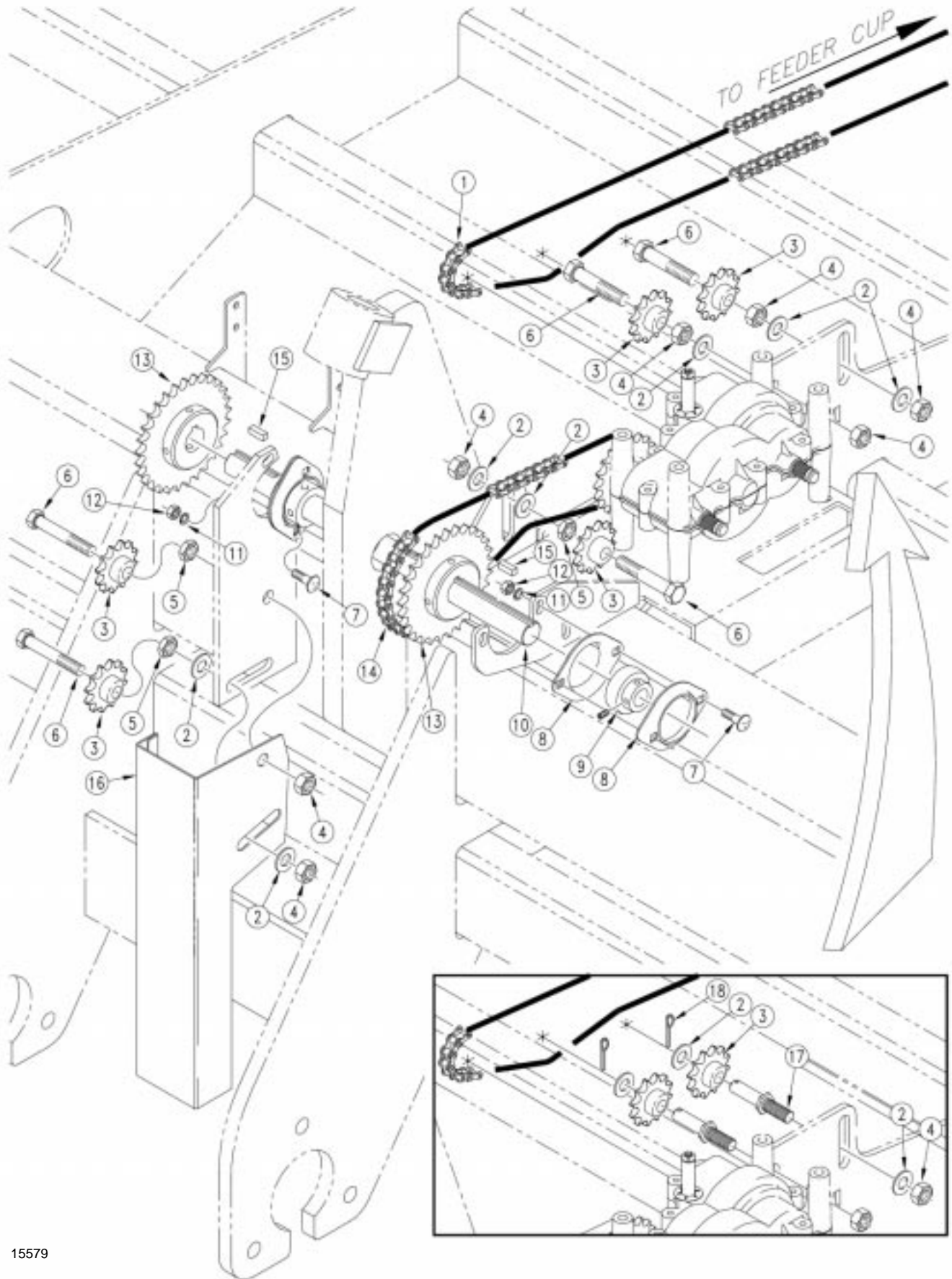
13355

**Small Seeds Metering (Option)**

Ref.	Part No.	Part Description	Comments
1.	800-028C	SNAP RING .875	
2.	804-044C	WASHER MACH 1.38 X .876 X .048	
3.	803-088C	NUT HEX LOCK 1/4-20 FLG	
4.	817-026C	DRIVE SPROCKET HANGER BEARING	
5.	123-473H	COUPLER DRIVE SPROCKET WELD	
6.	802-078C	HHCS 1/4-20X5/8 GR5	
7.	805-067C	PIN COTTER 1/8 X 3/4	
8.	123-399D	24' 2SNT 7 1/2 OUT SGS SHAFT	
	123-400D	24' 2SNT 7 1/2 INSIDE SGS SHAFT	
	123-401D	24' 2SNT 10 SGS SHAFT	
	123-402D	30' 2SNT 7 1/2 SGS SHAFT	
9.	804-042C	WASHER GRASS SEEDER CUP SHAFT	
10.	817-009C	GRASS SEEDER SLEEVE	
11.	817-008C	GRASS SEEDER CUP ASSEMBLY	
12.	803-006C	NUT HEX 1/4-20 PLT	
13.	817-010C	GRASS SEEDER SPROCKET	
14.	⊗ <b>890-349C</b>	<b>3/8 SHAFT LOCKING COLLAR</b>	
	● ① <b>123-436D</b>	<b>REPLACED BY 890-349C</b>	
15.	805-019C	PIN COTTER 5/32 X 1 PLT	
16.	804-006C	WASHER LOCK SPRING 1/4 PLT	
17.	123-050H	ADJUSTMENT HANDLE PIVOT	
18.	802-148C	HFSS 1/4-20X1/2 GR5	
19.	123-190D	SEED CUP COVER	
20.	801-035C	SCREW SET 5/16-18 SKT KP X 3/8	
21.	123-116D	SEED ADJUSTMENT SPOOL	
22.	123-476H	REAR SEED RATE ADJ HANDLE WLD	
23.	123-113D	LOCK TAB	
24.	802-092C	RHSNB 5/16-18X3/4 GR5	
25.	123-410D	GAUGE MOUNTING BRACKET	
26.	803-058C	NUT WING 5/16-18	
27.	819-041C	REPLACED BY 819-087C	
28.	803-035C	NUT HEX 8-32 BRASS	
29.	804-002C	WASHER INTERNAL STAR #8 BRASS	
30.	804-003C	WASHER FLAT #8 BRASS	
31.	801-001C	SCREW RD HD 8-32 X 3/8 BRASS	
32.	804-012C	WASHER FLAT 3/8 SAE PLT	

**Legend:** ● = 1st revision; ⊗ = 2nd revision; ⊗ = 3rd revision; ● = use up existing stock; ⊗ = not interchangeable; ⊗ ① ● = for example: revision 2 is not interchangeable w/revision 1

Drive



15579

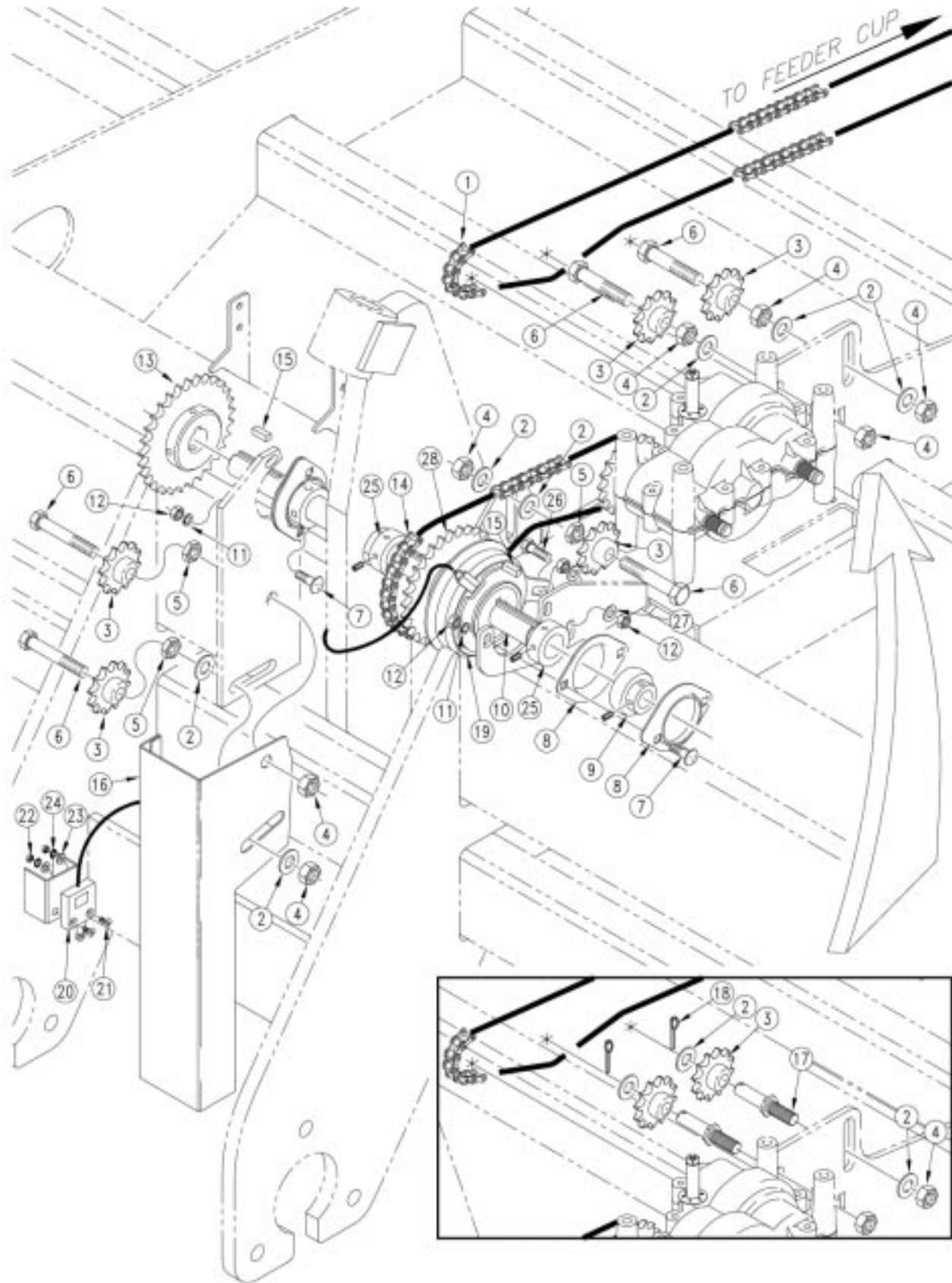
**Drive**

Ref.	Part No.	Part Description	Comments
1.	⊗ 136-122D	<b>CHAIN RL #40 129 PITCHES</b>	
	● ① 809-164C	<b>OBSOLETE REPLACED BY 136-122D</b>	
2.	804-017C	WASHER FLAT 1/2 USS PLT	
3.	817-025C	NO. 40 12T IDLER SPKT.	
4.	803-178C	NUT NYLOCK JAM NUT 1/2-13	
5.	803-036C	NUT HEX JAM 1/2-13 PLT	
6.	802-039C	HHCS 1/2-13X3 GR5	
7.	802-282C	RHSNB 5/16-18X1 GR5	
8.	822-032C	FLANGETTE 52 MST	
9.	822-060C	BEARING 1 BORE W/LOCK COLLAR	
10.	152-278D	CLUTCH SHAFT LH 30'	
	152-418D	CLUTCH SHAFT - 30' RH	
11.	804-009C	WASHER LOCK SPRING 5/16 PLT	
12.	803-008C	NUT HEX 5/16-18 PLT	
13.	808-058C	SPKT 40B30 X 1 W/KW & SS	
14.	809-060C	CHAIN RL 40 X 66 PITCH	
15.	123-004D	DRIVE SPROCKET KEY	
16.	152-290D	GAUGE WHEEL UPPER CHAIN GUARD	
17.	⊗ 802-039C	<b>HHCS 1/2-13X3 GR5</b>	
	● ① 197-226D	<b>REPLACED BY 802-039C</b>	
18.	805-064C	PIN COTTER 7/64 X 1 LONG	

**Legend:** ● = 1st revision; ⊗ = 2nd revision; ⊗ = 3rd revision; ● = use up existing stock; ⊗ = not interchangeable; ⊗ ① ⊗ = for example: revision 2 is not interchangeable w/revision 1



*Drive With Electric Clutch (S/N C1852 + 24' Drills & D2184 + 30' Drills)*



19662

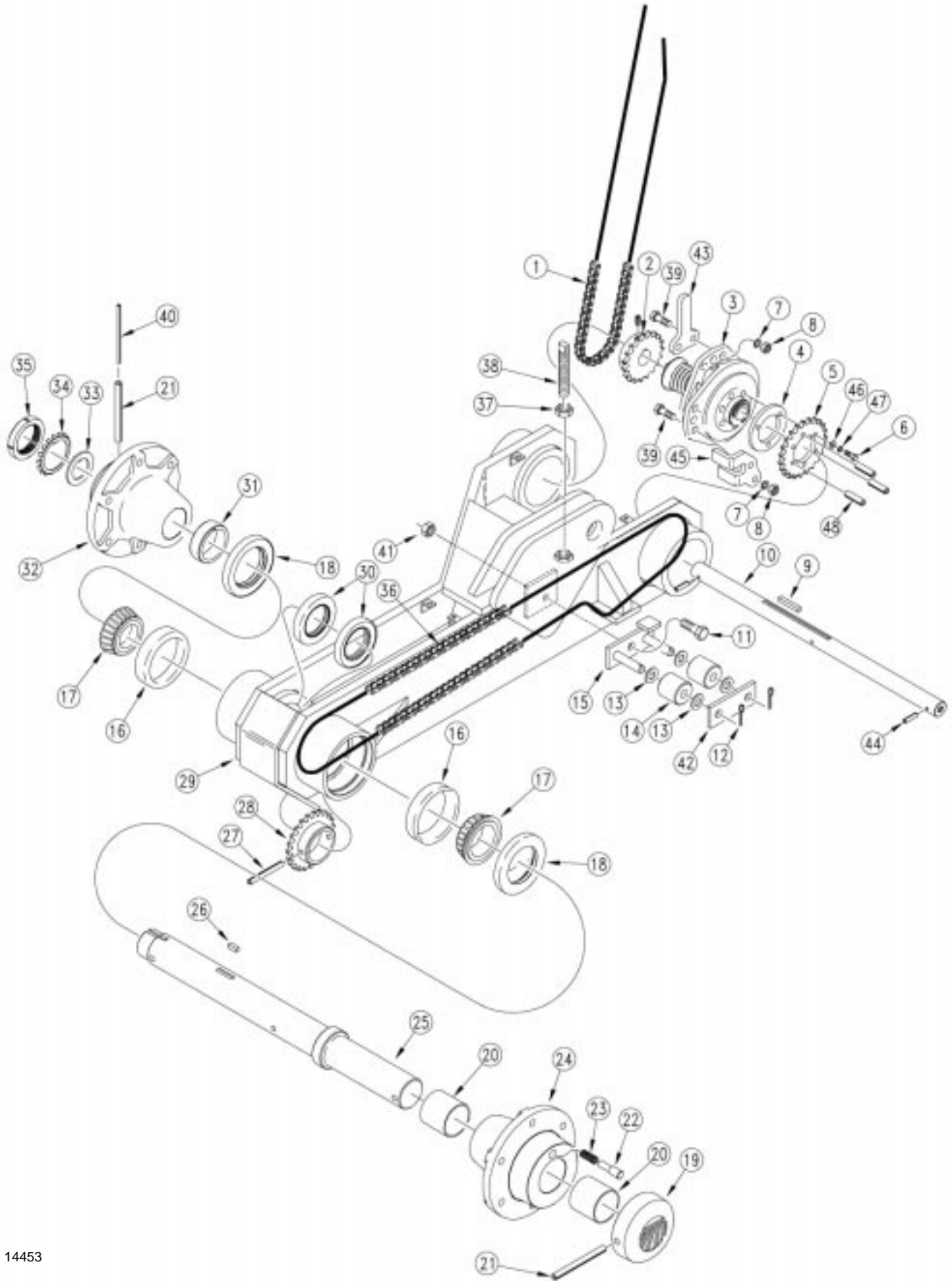


**Drive With Electric Clutch (S/N C1852 + 24' Drills & D2184 + 30' Drills)**

Ref.	Part No.	Part Description	Comments
1.	136-122D 809-164C	CHAIN RL #40 129 PITCHES REP BY 136-122D	
2.	804-017C	WASHER FLAT 1/2 USS PLT	
3.	817-025C	NO. 40 12T IDLER SPKT.	
4.	803-178C	NUT NYLOCK JAM NUT 1/2-13	
5.	803-036C	NUT HEX JAM 1/2-13 PLT	
6.	802-039C	HHCS 1/2-13X3 GR5	
7.	802-282C	RHSNB 5/16-18X1 GR5	
8.	822-032C	FLANGETTE 52 MST	
9.	822-060C	BEARING 1 BORE W/LOCK COLLAR	
10.	152-278D 152-418D	CLUTCH SHAFT LH 30' CLUTCH SHAFT - 30' RH	
11.	804-009C	WASHER LOCK SPRING 5/16 PLT	
12.	803-008C	NUT HEX 5/16-18 PLT	
13.	808-058C	SPKT 40B30 X 1 W/KW & SS	
14.	809-060C	CHAIN #40 X 66 PITCHES	
15.	123-004D	KEY 1/4 X 1	
16.	152-290D	GAUGE WHEEL UPPER CHAIN GUARD	
17.	802-039C 197-226D	HHCS 1/2-13X3 GR5 REPLACED BY 802-039C	
18.	805-064C	PIN COTTER 7/64 X 1 LONG	
19.	823-094C	WARNER ELEC. CLUTCH CW	
20.	823-198C	2SNT IMPLEMENT SWITCH	
21.	801-005C	SCREW PAN HD 1/4-20 X 3/4	
22.	803-001C	NUT HEX 10-24 PLT	
23.	804-046C	WASHER FLAT #10 SAE PLT	
24.	804-004C	WASHER INTERNAL STAR #10 PLT	
25.	890-343C	LOCK COLLAR 1 ID W/SS	
26.	802-197C	HHCS 5/16-18X2 3/4 GR5	
27.	804-010C	WASHER FLAT 5/16 USS PLT	
28.	152-284D	30T 2SNT ELECTRIC CLUTCH SPCKT	

**Legend:** ● = 1st revision; ● = 2nd revision; ● = 3rd revision; ● = use up existing stock; ⊗ = not interchangeable; ⊗ ① ● = for example: revision 2 is not interchangeable w/revision 1

Gauge Wheel Drive (S/N C1692- 24' Drills and D1904- 30' Drills)



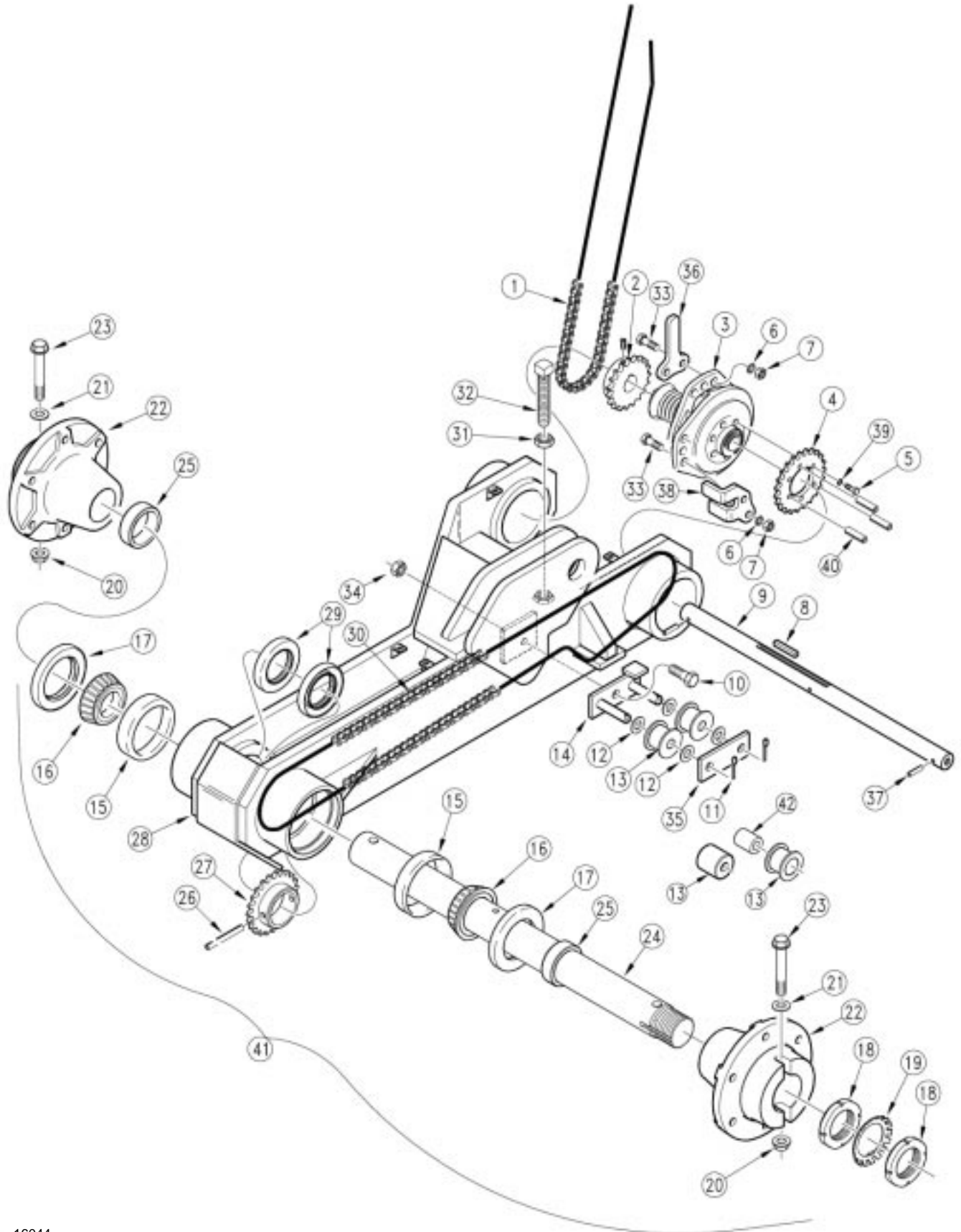
14453

## Gauge Wheel Drive (S/N C1692- 24' Drills and D1904- 30' Drills)

Ref.	Part No.	Part Description	Comments
1.	⊗ 136-112D	CHAIN RL #40 126 PITCHES	
	● ① 809-153C	OBSOLETE REPLACED BY 136-112D	
2.	⊗ 808-125C	SPKT 40B19X1 B MAX .875 THRU	
	● ① 152-312D	REPLACED BY 808-125C	
3.	⊗ 176-041S	JAW CLUTCH CCW EXTENDED	Refer to page 6-15 for breakdown.
	● ① 176-039S	REPLACED BY 176-041S/176-045S	
4.	172-330D	36' & 45' SPROCKET SPACER	Used only with old clutch 176-039S
5.	152-283D	2SNT CLUTCH SPROCKET, 23T	
6.	802-005C	HHCS 1/4-20X1 GR5	
7.	804-013C	WASHER LOCK SPRING 3/8 PLT	
8.	803-014C	NUT HEX 3/8-16 PLT	
9.	123-004D	DRIVE SPROCKET KEY	
10.	152-266D	GAUGE WHEEL JACK SHAFT	
11.	802-258C	HHCS 1/2-13X1 GR5	
12.	805-064C	PIN COTTER 7/64 X 1 LONG	
13.	804-016C	WASHER FLAT 1/2 SAE PLT	
14.	195-069D	IDLER ROLLER	
15.	120-212H	TWO PIN IDLER WELDMENT	
16.	822-037C	BEARING CUP #3720	
17.	822-036C	BEARING CONE #3780	
18.	816-138C	SEAL DBL LIP 2.5 ID X 3.881 OD	
19.	152-271D	REPLACED BY 152-191A	Refer to item 41 page 6-7
	152-270D	REPLACED BY 152-191A	Refer to item 41 page 6-7
20.	890-133C	BUSHING WALKING TANDEM	
21.	805-116C	PIN ROLL 3/8 X 3 PLT	
22.	152-267D	REPLACED BY 152-191A	Refer to item 41 page 6-7
23.	807-096C	SPRING COMP 1/2 OD X 1 LG	
24.	152-268D	REPLACED BY 152-191A	Refer to item 41 page 6-7
25.	152-272D	REPLACED BY 152-191A	Refer to item 41 page 6-7
26.	310-331D	KEY 1/4 X 11/16 LONG	
27.	805-125C	PIN ROLL 5/16 X 2 1/2 PLT	
28.	⊗ 808-059C	SPKT 40B23 X 2 W/5/16 HOLE	
	● ① 152-311D	REPLACED BY 808-059C	
29.	152-133H	2SNT GAUGE WHEEL WELDMENT	
30.	816-084C	SEAL 2 X 3.1875 X 0.469	
31.	152-274D	REPLACED BY 152-191A	Refer to item 41 page 6-7
32.	152-269D	REPLACED BY 152-191A	Refer to item 41 page 6-7
33.	804-106C	WASHER BEARING TONGUED K91509	
34.	804-083C	WASHER BEARING LOCK 1.767	
35.	803-186C	NUT BEARING LOCK 1.767 OD THDS	
36.	⊗ 136-116D	CHAIN RL #40 140 PITCHES	
	● ① 809-158C	OBSOLETE REPLACED BY 136-116D	
37.	803-023C	NUT HEX JAM 5/8-11 PLT	
38.	801-059C	GAUGE WHEEL IDLER ADJ SCREW	
39.	802-017C	HHCS 3/8-16X1 GR5	
40.	805-211C	PIN ROLL 7/32 X 3 PLT	
41.	803-019C	NUT LOCK 1/2-13 PLT	
42.	152-372D	IDLER ARM RETAINER	
43.	152-262D	CLUTCH ENGAGE ARM	
44.	805-024C	PIN ROLL 3/16X 1 1/2 PLT	
45.	152-376D	CLUTCH ENGAGEMENT BRACKET	
46.	804-007C	WASHER FLAT 1/4 SAE PLT	
47.	804-006C	WASHER LOCK SPRING 1/4 PLT	

Legend: ● = 1st revision; ⊗ = 2nd revision; ⊗ = 3rd revision; ● = use up existing stock; ⊗ = not interchangeable; ⊗ ① ⊗ = for example: revision 2 is not interchangeable w/revision 1

*Guage Wheel Drive (S/N C1693- C1851 24' Drills and S/N D1905- D2183 30' Drills)*



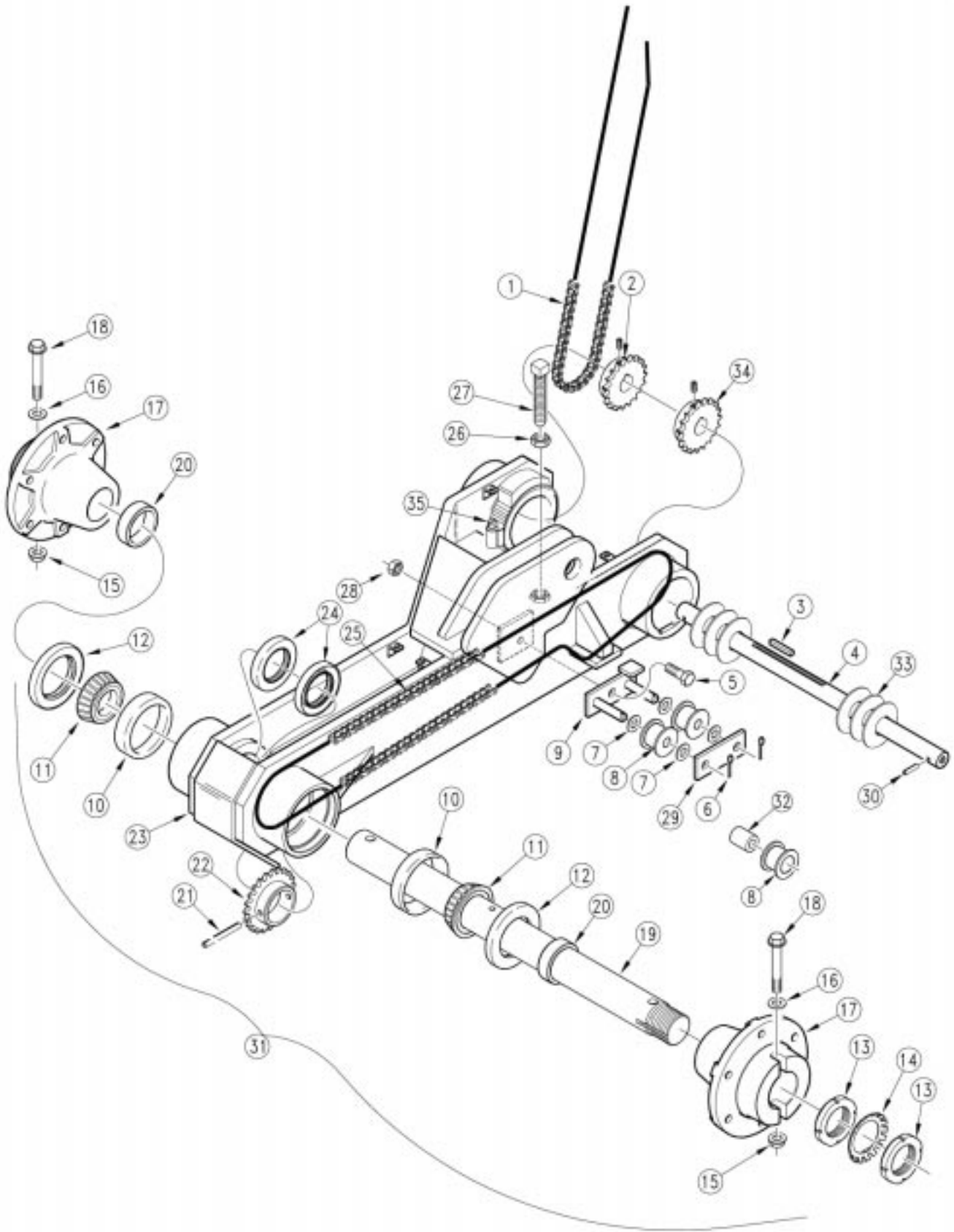
16044

## Gauge Wheel Drive (S/N C1693- C1851 24' Drills and S/N D1905- D2183 30' Drills)

Ref.	Part No.	Part Description	Comments
1.	⊗ 136-112D	CHAIN RL #40 126 PITCHES	
	● ① 809-153C	OBSELETE REPLACED BY 136-112D	
2.	808-125C	SPKT 40B19X1 B MAX .875 THRU	
3.	176-041S	JAW CLUTCH CCW EXTENDED	Refer to page 6-15 for breakdown.
4.	152-283D	2SNT CLUTCH SPROCKET, 23T	
5.	802-004C	HHCS 1/4-20X1 GR5	
6.	804-013C	WASHER LOCK SPRING 3/8 PLT	
7.	803-014C	NUT HEX 3/8-16 PLT	
8.	123-004D	DRIVE SPROCKET KEY	
9.	152-266D	GAUGE WHEEL JACK SHAFT	
10.	802-258C	HHCS 1/2-13X1 GR5	
11.	805-064C	PIN COTTER 7/64 X 1 LONG	
12.	804-016C	WASHER FLAT 1/2 SAE PLT	
13.	⊗ 817-333C	IDLER ROLLER	
	● ⊗ 404-033D	IDLER BUSHING	Use with item 42.
	● ① 195-069D	IDLER ROLLER	
14.	120-212H	TWO PIN IDLER WELDMENT	
15.	822-037C	BEARING CUP #3720	
16.	822-036C	BEARING CONE #3780	
17.	816-138C	SEAL DBL LIP 2.5 ID X 3.881 OD	
18.	803-208C	NUT BEARING LOCK, TN-10	
19.	804-098C	WASHER BEARING LOCK, TW110	
20.	803-263C	NUT HEX FLANGE LOCK 5/8-11 PLT	
21.	804-095C	WASHER FLAT 5/8 HARD ASTM436	
22.	152-390D	6-BOLT HEAVY DRIVE HUB 2 BORE	
23.	802-640C	HHCS 5/8-11X4 SPTHD GR5	
24.	152-387D	SPNDLE 2"X22 5/16W/1.95-18 THD	
25.	120-198D	AXLE SPACER TUBE	
26.	805-125C	PIN ROLL 5/16 X 2 1/2 PLT	
27.	808-059C	SPKT 40B23 X 2 W/5/16 HOLE	
28.	152-190H	2SNT GAUGE WHEEL WELDMENT	
29.	816-084C	SEAL 2 X 3.1875 X 0.469	
30.	⊗ 136-116D	CHAIN RL #40 140 PITCHES	
	● ① 809-158C	OBSELETE REPLACED BY 136-116D	
31.	803-023C	NUT HEX JAM 5/8-11 PLT	
32.	801-059C	SCREW SQ HD 5/8-11X3 1/2 GR5	
33.	802-017C	HHCS 3/8-16X1 GR5	
34.	803-019C	NUT LOCK 1/2-13 PLT	
35.	152-372D	IDLER ARM RETAINER	
36.	152-262D	CLUTCH ENGAGE ARM	
37.	805-024C	PIN ROLL 3/16X 1 1/2 PLT	
38.	152-376D	CLUTCH ENGAGEMENT BRACKET	
39.	804-006C	WASHER LOCK SPRING 1/4 PLT	
40.	805-026C	PIN ROLL 1/4 X 3/4 PLT	
41.	152-191A	2SNT SOLID GAUGE WHEEL UPDATE	Includes items 17 through 25 & 29
42.	152-411D	GW IDLER SPACER	

Legend: ● = 1st revision; ⊗ = 2nd revision; ⊗ = 3rd revision; ● = use up existing stock; ⊗ = not interchangeable; ⊗ ① = for example: revision 2 is not interchangeable w/revision 1

Guage Wheel Drive (S/N C1852 - C1865 24' Drills & D2184 - D2218 30' Drills)



19663



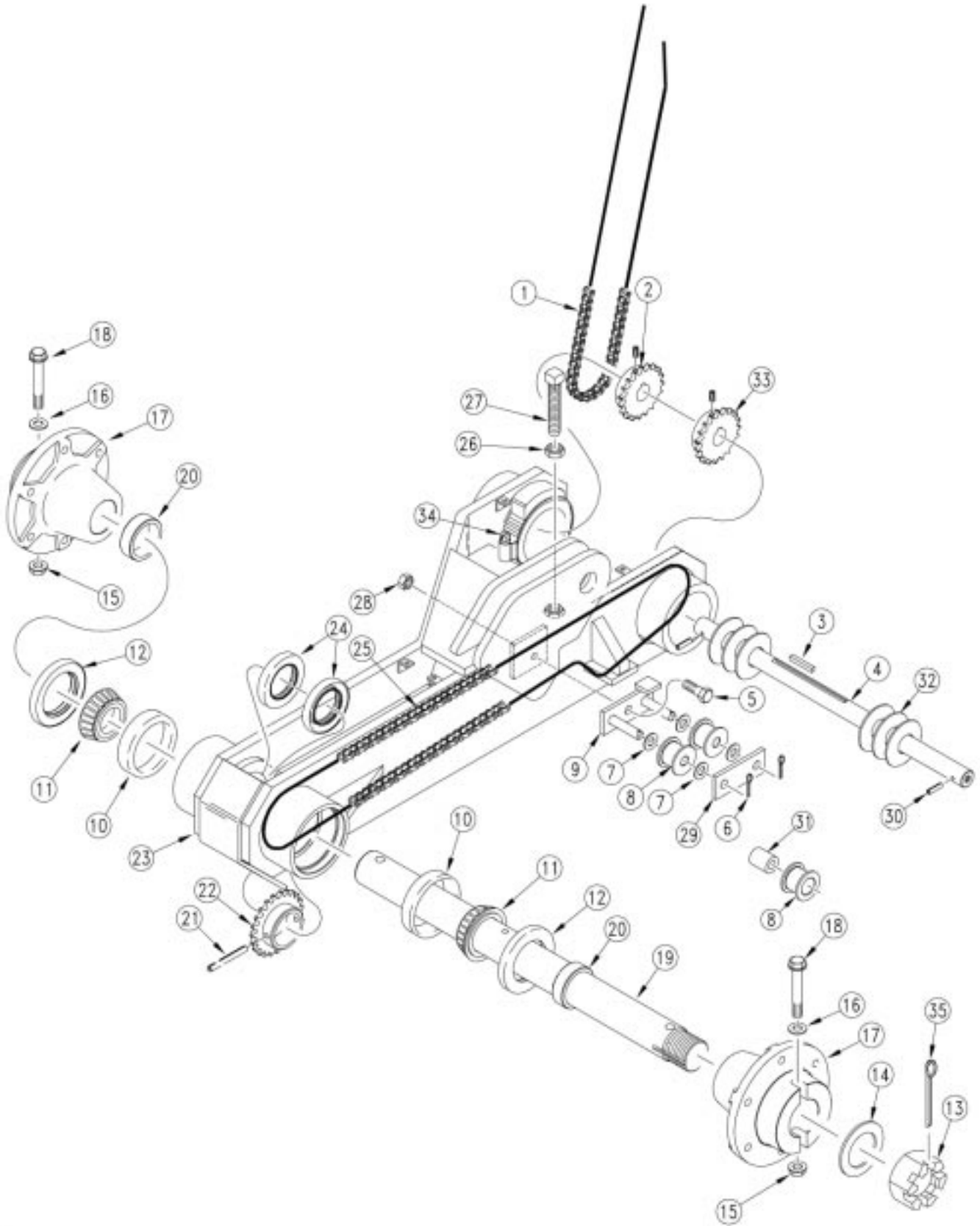
**Guage Wheel Drive (S/N C1852 - C1865 24' Drills & D2184 - D2218 30' Drills)**

Ref.	Part No.	Part Description	Comments
1.	136-112D	CHAIN RL #40 126 PITCHES	
2.	803-014C	NUT HEX 3/8-16 PLT	
3.	123-004D	KEY 1/4 X 1	
4.	152-497D	2SNT GW JACK SHAFT	
5.	802-258C	HHCS 1/2-13X1 GR5	
6.	805-064C	PIN COTTER 7/64 X 1 LONG	
7.	804-016C	WASHER FLAT 1/2 SAE PLT	
8.	817-333C	IDLER ROLLER	
9.	120-212H	TWO PIN IDLER WELDMENT	
10.	822-037C	BEARING CUP #3720	
11.	822-036C	BEARING CONE #3780	
12.	816-138C	SEAL DBL LIP 2.5 ID X 3.881 OD	
13.	803-208C	NUT BEARING LOCK, TN-10	
14.	804-098C	WASHER BEARING LOCK, TW110	
15.	803-263C	NUT HEX FLANGE LOCK 5/8-11 PLT	
16.	804-095C	WASHER FLAT 5/8 HARD ASTM436	
17.	152-390D	6-BOLT HEAVY DRIVE HUB 2 BORE	
18.	802-687C	HHCS 5/8-11X4 SPTHD GR8	
19.	152-387D	SPNDLE 2"X22 5/16W/1.95-18 THD	
20.	120-198D	AXLE SPACER TUBE	
21.	805-125C	PIN ROLL 5/16 X 2 1/2 PLT	
22.	808-059C	SPKT 40B23 X 2 W/5/16 HOLE	
23.	152-190H	2SNT GAUGE WHEEL WELDMENT	
24.	816-084C	SEAL 2 X 3.1875 X 0.469	
25.	136-116D	CHAIN RL #40 140 PITCHES	
26.	803-023C	NUT HEX JAM 5/8-11 PLT	
27.	801-059C	SCREW SQ HD 5/8-11X3 1/2 GR5	
28.	803-019C	NUT LOCK 1/2-13 PLT	
29.	152-372D	IDLER ARM RETAINER	
30.	805-024C	PIN ROLL 3/16X 1 1/2 PLT	
31.	152-191A	2SNT SOLID GAUGE WHEEL UPDATE	
32.	152-411D	GW IDLER SPACER	
33.	804-029C	WASHER FLAT 1 SAE	
34.	808-172C	SPKT 40B23 X 1 BORE W/KW & SS	
35.	890-433C	ELE. CLUTCH SWITCH CAM CLAMP	

**Legend:** ● = 1st revision; ● = 2nd revision; ● = 3rd revision; ● = use up existing stock; ⊗ = not interchangeable; ⊗ ① ● = for example: revision 2 is not interchangeable w/revision 1



Gauge Wheel Drive (S/N C1866+ 24' Drills & D2219+ 30' Drills)



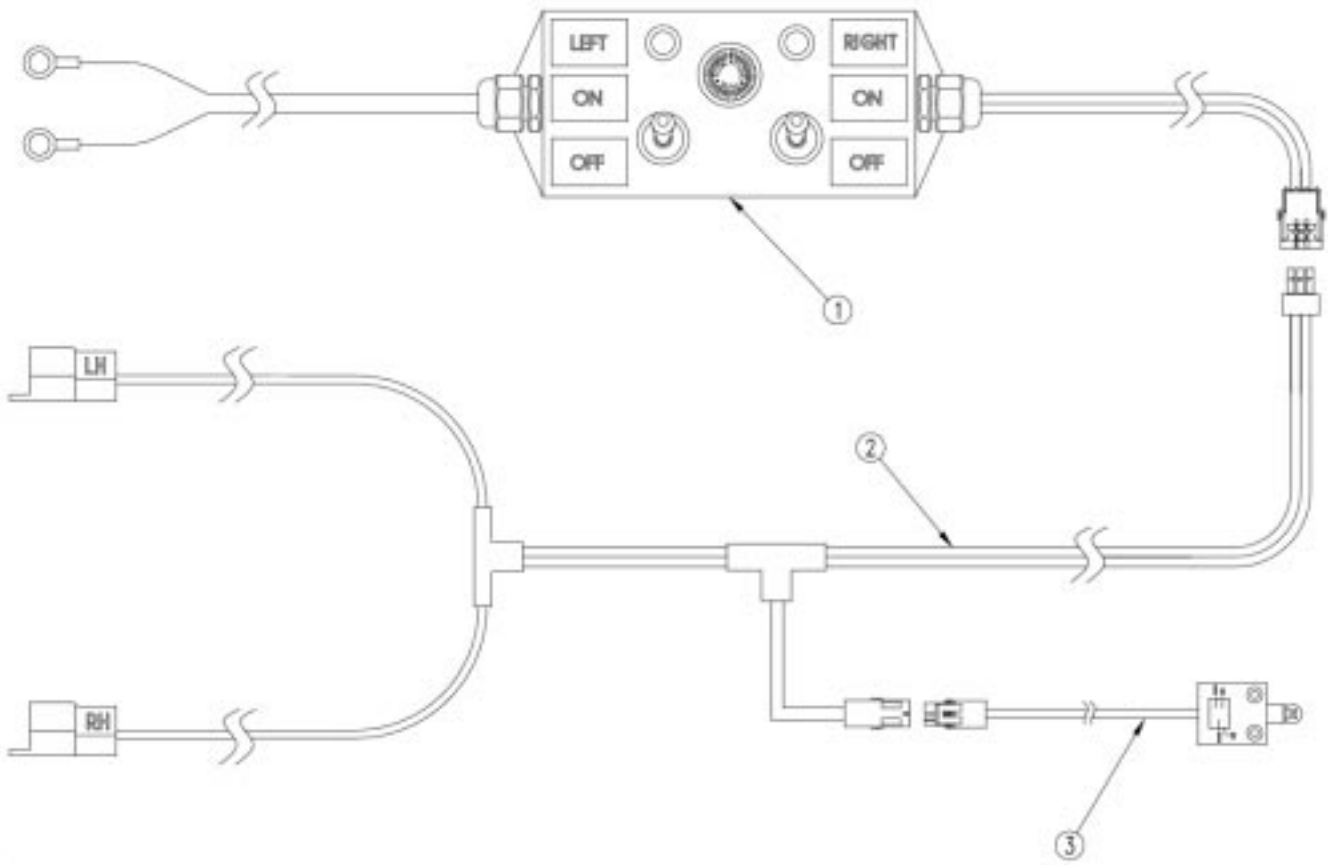
21792

**Gauge Wheel Drive (S/N C1866+ 24' Drills & D2219+ 30' Drills)**

Ref.	Part No.	Part Description	Comments
1.	136-112D	CHAIN RL #40 126 PITCHES	
2.	803-014C	NUT HEX 3/8-16 PLT	
3.	123-004D	KEY 1/4 X 1	
4.	152-497D	2SNT GW JACK SHAFT	
5.	802-258C	HHCS 1/2-13X1 GR5	
6.	805-064C	PIN COTTER 7/64 X 1 LONG	
7.	804-016C	WASHER FLAT 1/2 SAE PLT	
8.	817-333C	IDLER ROLLER	
9.	120-212H	TWO PIN IDLER WELDMENT	
10.	822-037C	BEARING CUP #3720	
11.	822-036C	BEARING CONE #3780	
12.	816-138C	SEAL DBL LIP 2.5 ID X 3.881 OD	
13.	803-239C	NUT HEX SLOTTED 1 1/2-12	
14.	804-182C	WASHER HARD 1 1/2 MILCARB GR8	
15.	803-263C	NUT HEX FLANGE LOCK 5/8-11 PLT	
16.	804-095C	WASHER FLAT 5/8 HARD ASTM436	
17.	152-390D	6-BOLT HEAVY DRIVE HUB 2 BORE	
18.	802-687C	HHCS 5/8-11X4 SPTHD GR8	
19.	152-387D	SPNDLE 2"X22 5/16W/1.95-18 THD	
20.	120-198D	AXLE SPACER TUBE	
21.	805-125C	PIN ROLL 5/16 X 2 1/2 PLT	
22.	808-059C	SPKT 40B23 X 2 W/5/16 HOLE	
23.	152-190H	2SNT GAUGE WHEEL WELDMENT	
24.	816-084C	SEAL 2 X 3.1875 X 0.469	
25.	136-116D	CHAIN RL #40 140 PITCHES	
26.	803-023C	NUT HEX JAM 5/8-11 PLT	
27.	801-059C	SCREW SQ HD 5/8-11X3 1/2 GR5	
28.	803-019C	NUT LOCK 1/2-13 PLT	
29.	152-372D	IDLER ARM RETAINER	
30.	805-024C	PIN ROLL 3/16X 1 1/2 PLT	
31.	152-411D	GW IDLER SPACER	
32.	804-029C	WASHER FLAT 1 SAE	
33.	808-172C	SPKT 40B23 X 1 BORE W/KW & SS	
34.	890-433C	ELE. CLUTCH SWITCH CAM CLAMP	
35.	805-148C	PIN COTTER 3/8 X 3 PLT	

**Legend:** ● = 1st revision; ● = 2nd revision; ● = 3rd revision; ● = use up existing stock; ⊗ = not interchangeable; ⊗ ① ● = for example: revision 2 is not interchangeable w/revision 1

*Electric Clutch Console & Harness*



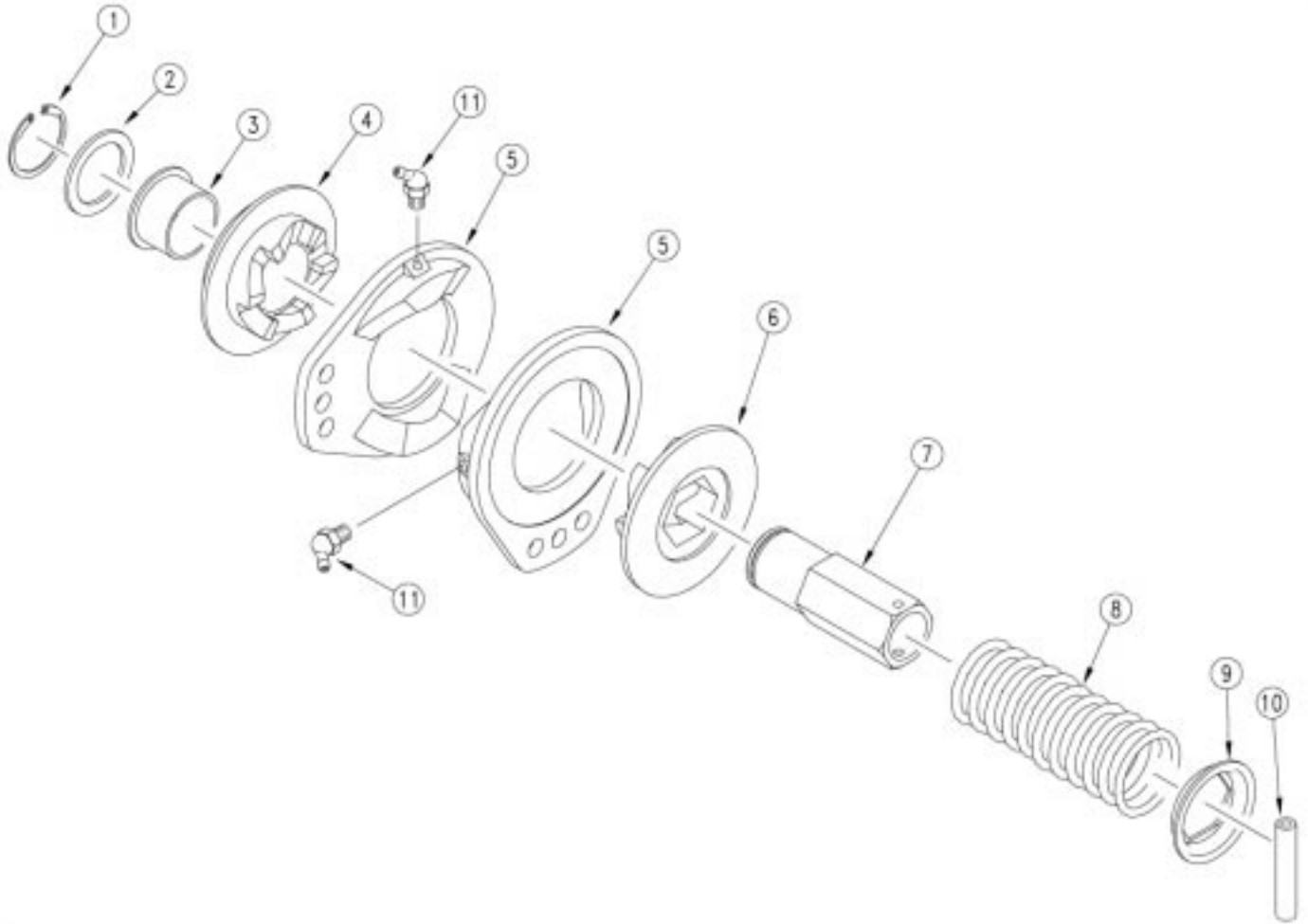
19694

**Electric Clutch Console & Harness**

Ref.	Part No.	Part Description	Comments
1.	823-196C	2SNT CLUTCH CONSOLE & HARNESS	
2.	823-197C	2SNT CLUTCH IMPLEMENT HARNESS	
3.	823-198C	2SNT IMPLEMENT SWITCH	

**Legend:** ① = 1st revision; ② = 2nd revision; ③ = 3rd revision; ● = use up existing stock; ⊗ = not interchangeable; ⊗ ① ② = for example: revision 2 is not interchangeable w/revision 1

*Jaw Clutch With Zerks*



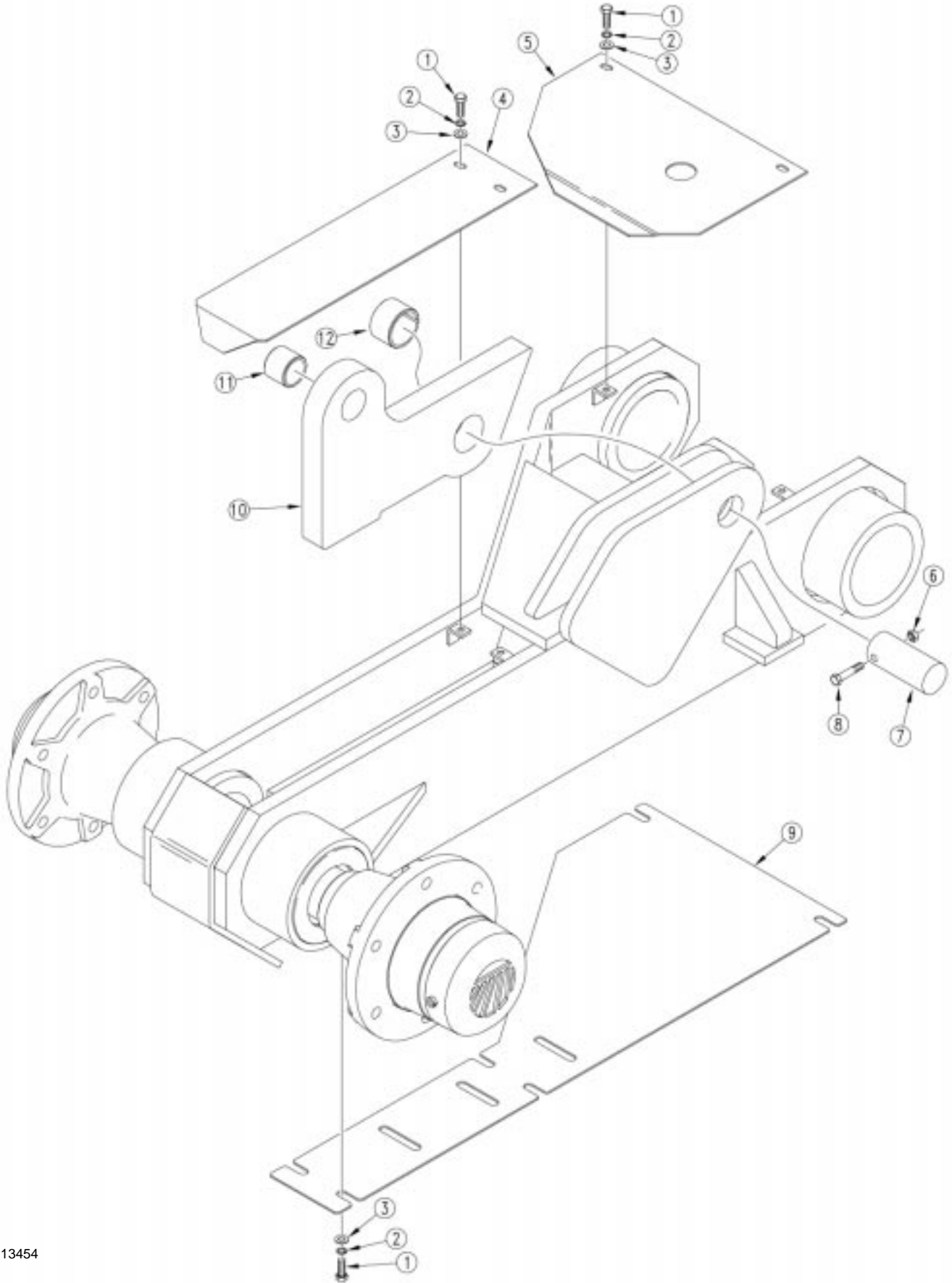
11713

**Jaw Clutch With Zerks**

Ref.	Part No.	Part Description	Comments
	② 176-041S	JAW CLUTCH CCW EXTENDED	Includes items 1 through 10
	●① 176-039S	REPLACED BY 176-041S/176-045S	Includes items 1 through 10
1.	② 800-177C	SNAP RING EXT 1 1/4 HEAVY	
	●① 800-077C	SNAP RING EXT INVERTED 1-1/4	
2.	176-065D	CLUTCH FRICTION WASHER	
3.	817-111C	BEARING 1 1/4 ID X 1 13/32 OD	
4.	② 176-079D	CLUTCH DRIVE PLATE LONG - CCW	
	●① 176-062D	CLUTCH DRIVE PLATE - CCW	
5.	② 176-080D	CLUTCH CAM PLATE	
	●① 176-063D	CLUTCH CAM PLATE	
6.	② 176-077D	CLUTCH SLIDE PLATE - CCW	
	●① 176-060D	CLUTCH SLIDE PLATE - CCW	
7.	③ 176-083D	CLUTCH HUB 1 BORE	
	●② 176-073D	REPLACED BY 176-083D	
	●① 176-064D	REPLACED BY 176-073D	
8.	807-097C	SPRING COMP 2 1/16 OD X 4 LG	
9.	176-066D	CLUTCH SPRING RETAINER	
10.	② 805-024C	PIN ROLL 3/16X 1 1/2 PLT	
	●① 805-172C	PIN DOWEL 3/16 X 1 1/2 1018	
11.	800-058C	GREASE ZERK 1/4-28 X 45-DEG	

**Legend:** ● = 1st revision; ② = 2nd revision; ③ = 3rd revision; ● = use up existing stock; ⊗ = not interchangeable; ⊗① ② = for example: revision 2 is not interchangeable w/revision 1

Gauge Wheel (S/N C1692- 24' Drills and D1904- 30' Drills)



13454

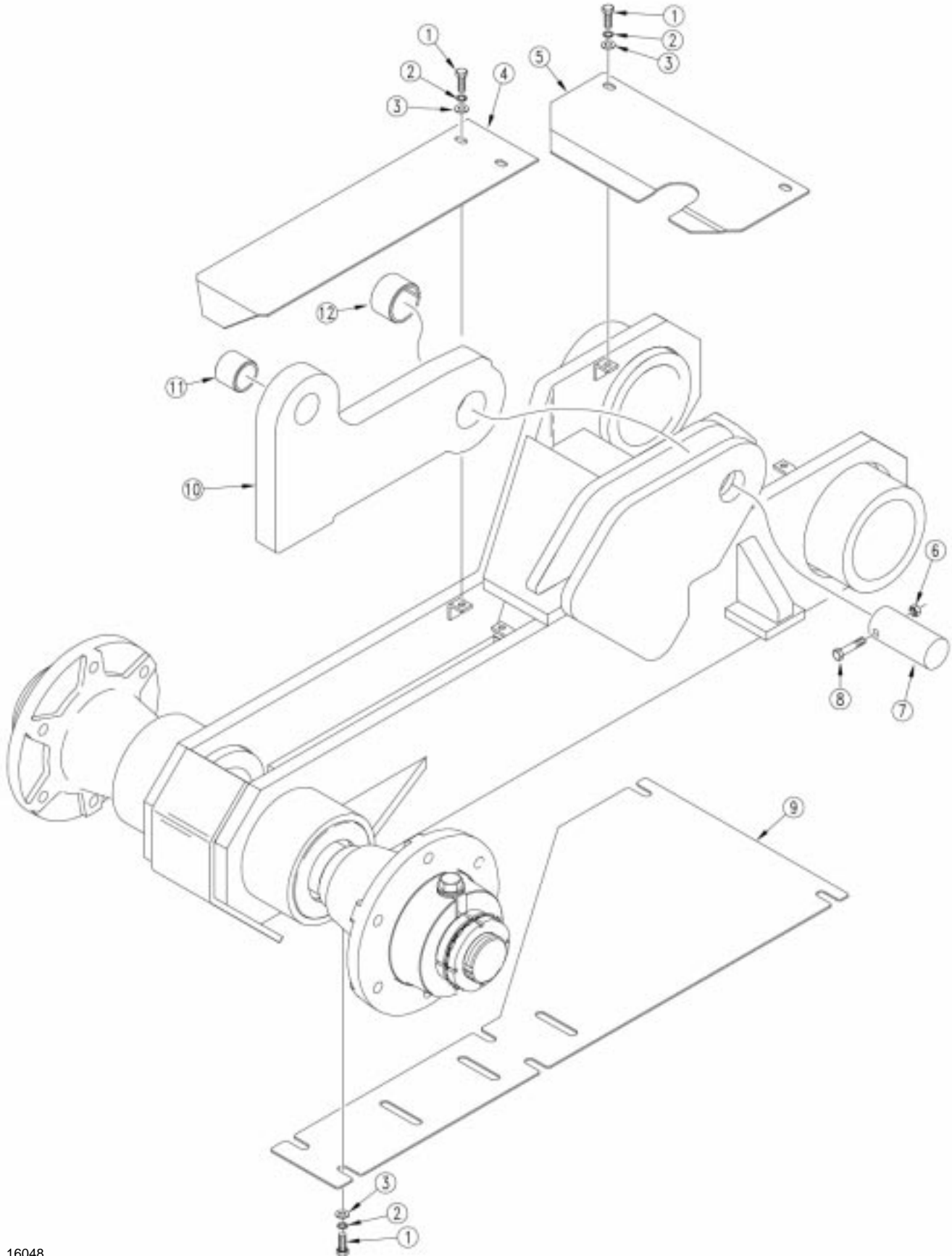


**Gauge Wheel (S/N C1692- 24' Drills and D1904- 30' Drills)**

Ref.	Part No.	Part Description	Comments
1.	⊗ ① ② <b>801-081C</b>	<b>SCREW HEX SELF TAP 1/4-20X3/4</b>	April 1997+
	① <b>802-078C</b>	<b>HHCS 1/4-20X5/8 GR5</b>	
2.	804-006C	WASHER LOCK SPRING 1/4 PLT	
3.	804-007C	WASHER FLAT 1/4 SAE PLT	
4.	152-259D	GAUGE WHEEL CHAIN COVER-FRONT	
5.	152-260D	GAUGE WHEEL CHAIN COVER-REAR	
6.	803-007C	NUT LOCK 1/4-20 PLT	
7.	181-038D	FLEX LINK PIVOTPIN 1 1/4X2 7/8	
8.	802-152C	HHCS 1/4-20X2 GR5	
9.	152-282D	GAUGE WHEEL BOTTOM COVER	
10.	② <b>152-385D</b>	<b>2SNT GW FLEX LUG</b>	
	● ① <b>152-265D</b>	<b>REPLACED BY 152-385D</b>	
11.	890-005C	BUSHING CYL 1 1/4 X 1 X 1	
12.	890-011C	BUSHING SPINDLE 1 1/2X1 1/4X1	

**Legend:** ● = 1st revision; ② = 2nd revision; ③ = 3rd revision; ● = use up existing stock; ⊗ = not interchangeable; ⊗ ① ② = for example: revision 2 is not interchangeable w/revision 1

Gauge Wheel (S/N C1693+ 24' Drills and D1905+ 30' Drills)



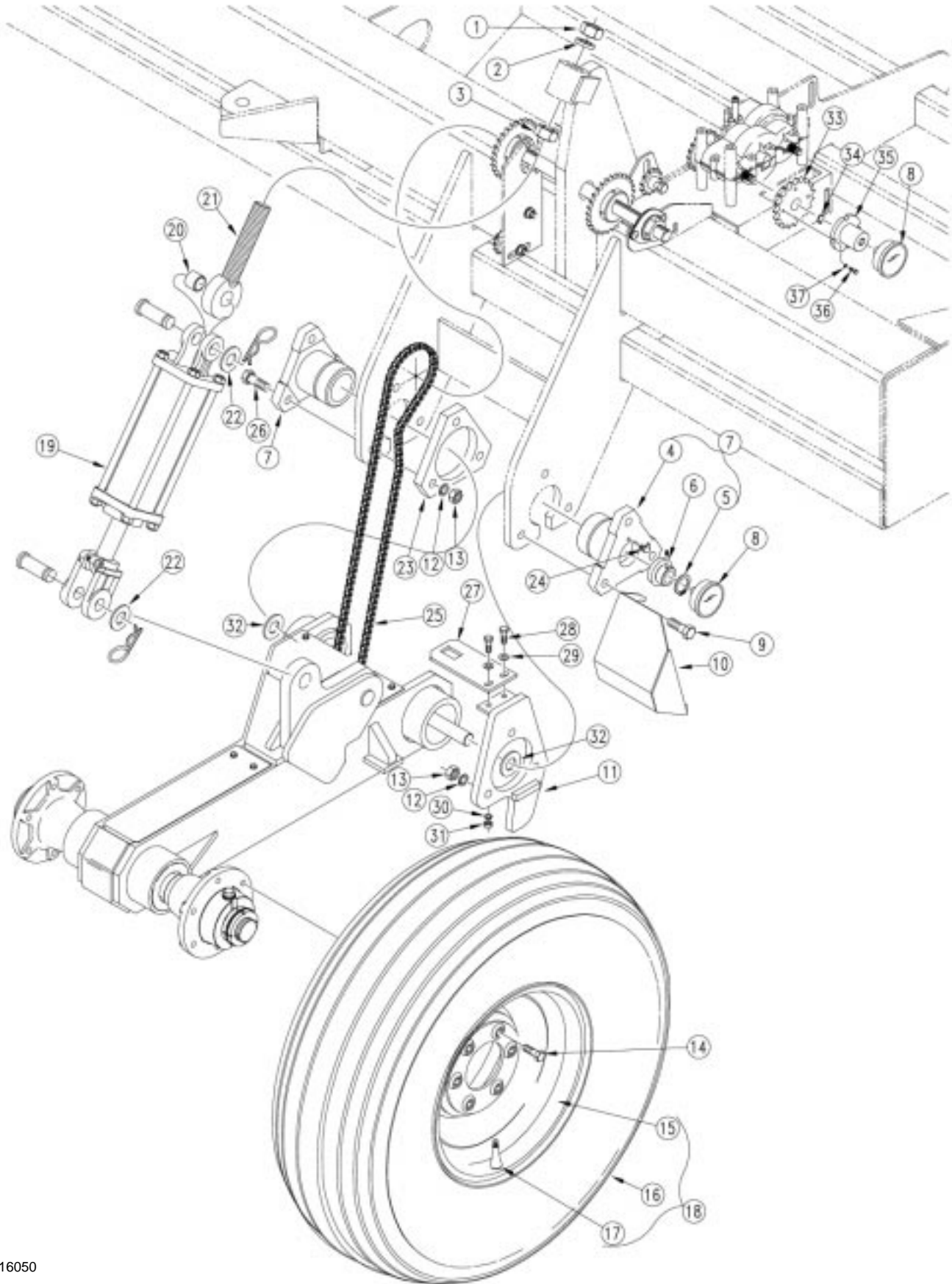
16048

**Gauge Wheel (S/N C1693+ 24' Drills and D1905+ 30' Drills)**

Ref.	Part No.	Part Description	Comments
1.	802-078C	HHCS 1/4-20X5/8 GR5	
2.	804-006C	WASHER LOCK SPRING 1/4 PLT	
3.	804-007C	WASHER FLAT 1/4 SAE PLT	
4.	152-259D	GAUGE WHEEL CHAIN COVER-FRONT	
5.	152-391D	GAUGE WHEEL CHAIN COVER-REAR	
6.	803-007C	NUT LOCK 1/4-20 PLT	
7.	181-038D	FLEX LINK PIVOTPIN 1 1/4X2 7/8	
8.	802-152C	HHCS 1/4-20X2 GR5	
9.	152-282D	GAUGE WHEEL BOTTOM COVER	
10.	152-389D	GAUGE WHEEL CYLINDER FLEX LUG	
11.	890-005C	BUSHING CYL 1 1/4 X 1 X 1	
12.	890-011C	BUSHING SPINDLE 1 1/2X1 1/4X1	

**Legend:** ● = 1st revision; ● = 2nd revision; ● = 3rd revision; ● = use up existing stock; ⊗ = not interchangeable; ⊗ ① ● = for example: revision 2 is not interchangeable w/revision 1

*Gauge Wheel (Continued)*



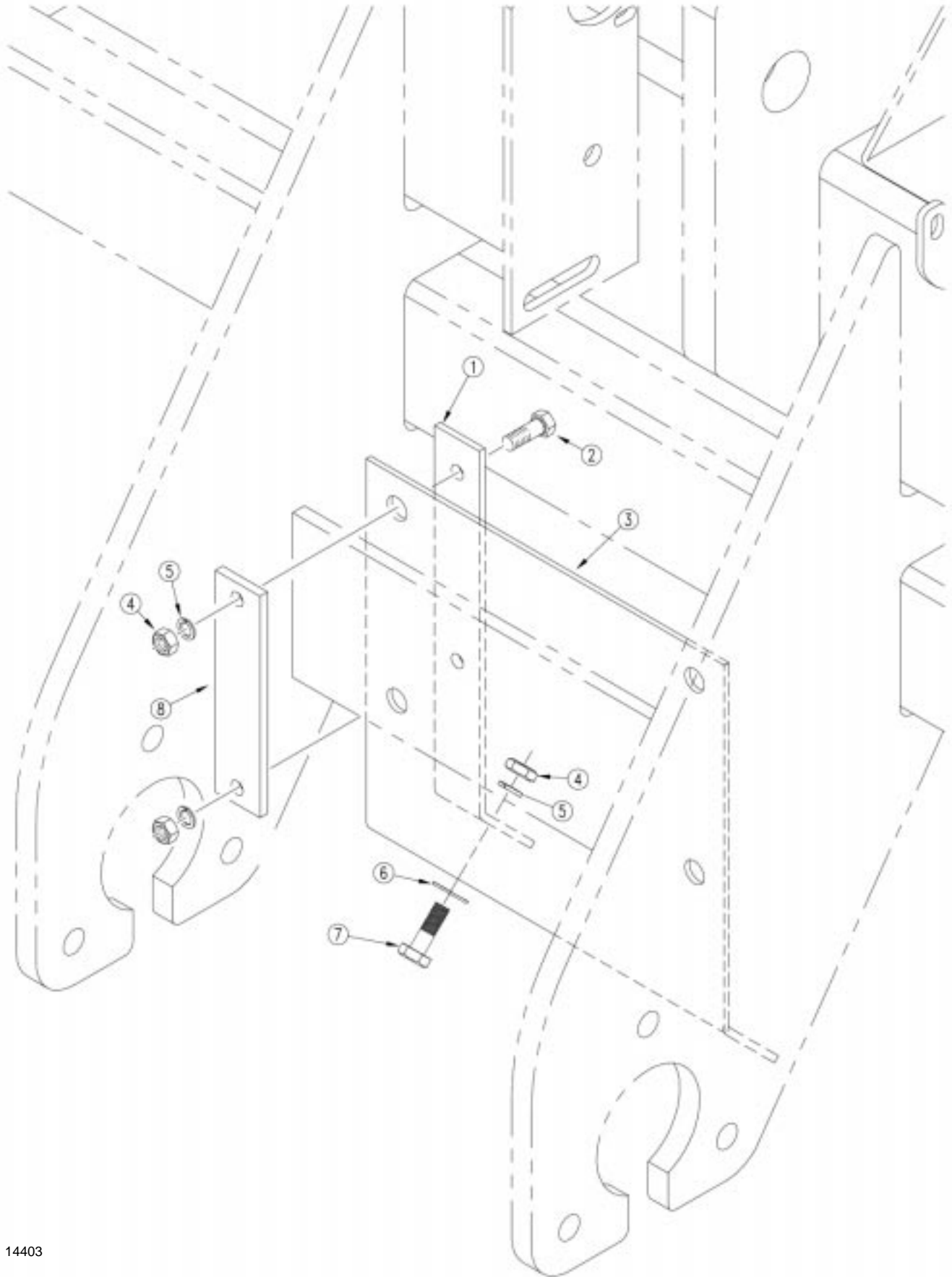
16050

**Gauge Wheel (Continued)**

Ref.	Part No.	Part Description	Comments
1.	803-034C	NUT HEX 1 1/4-7 PLT	
2.	804-030C	WASHER LOCK 1 1/4 SPRING PLT	
3.	803-032C	NUT HEX JAM 1 1/4-7 PLT	
4.	172-206D	BRG 3.25 3-HL FLG W/DRIVE BRG	
5.	800-038C	SNAP RING INT 2.05 OD	
6.	188-003V	BEARING 1.000 DIA W/SET-SCREWS	
7.	152-074S	GAUGE WHEEL PIVOT BUSHING ASSY	Includes items 4; 5 & 6
8.	890-012C	ACRE METER 30'	
	890-002C	ACRE METER 24'	
9.	802-059C	HHCS 5/8-11X3 GR5	
10.	152-091H	2SNT CHAIN GUARD WELDMENT	24' S/N C1851- 30' S/N D2183-
11.	152-134H	AXLE BUSHING BRACE WELDMENT	
12.	804-022C	WASHER LOCK SPRING 5/8 PLT	
13.	803-021C	NUT HEX 5/8-11 PLT	
14.	802-104C	BOLT WHEEL 1/2-20X1 90-DEG	
15.	814-008C	WHEEL 8 X 15 X 6 BOLT	
16.	814-038C	TIRE 11L-15 X 8 PLY	
17.	816-035C	VALVE STEM TR415X.625X1 1/4 LG	
18.	120-218K	TIRE 11L-15 8PLY ON 86 BLT RIM	Includes items 15; 16 & 17
19.	⊗ 810-394C	HYD CYL REP 4 X 12 X 1 1/2 ROD	<b>For 3010 Drills. (S/N D2107, D2109 and D2110+) Refer to page 9-37 for breakdown.</b>
	⊗ 810-395C	HYD CYL REP 3 3/4 X 12 X 1 1/2	<b>For 2410 Drills. (S/N C1824) Refer to page 9-33 for breakdown.</b>
	① 810-123C	CYL REP 4.25X12X1.5ROD(TIE)1PN	<b>Refer to page 9-39 for breakdown. For 3010 Drills.</b>
	① 810-222C	CYL REP 4X12X1.37 ROD (TIE)	<b>Refer to page 9-35 for breakdown. For 2410 Drills</b>
20.	890-005C	BUSHING CYL 1 1/4 X 1 X 1	
21.	196-142H	EYEBOLT WELDMENT	
22.	804-029C	WASHER FLAT 1 SAE	
23.	152-109D	2SNT AXLE BUSHING BRACE PLATE	
24.	800-058C	GREASE ZERK 1/4-28 X 45-DEG	
25.	⊗ 136-112D	<b>CHAIN RL #40 126 PITCHES</b>	
	● ① 809-153C	<b>OBSOLETE REPLACED BY 136-112D</b>	
26.	802-281C	HHCS 5/8-11X2 3/4 GR5	
27.	152-263D	CLUTCH ENGAGE TAB	
28.	802-079C	HHCS 3/8-16X1 1/4 GR5	
29.	804-012C	WASHER FLAT 3/8 SAE PLT	
30.	804-013C	WASHER LOCK SPRING 3/8 PLT	
31.	803-014C	NUT HEX 3/8-16 PLT	
32.	804-029C	WASHER FLAT 1 SAE	
33.	197-278D	ACREMETER SPROCKET	24' S/N C1852+ 30' S/N D2184+
34.	800-141C	SNAP RING EXT F/PEERLESS G.B.	24' S/N C1852+ 30' S/N D2184+
35.	197-164H	ACREMETER HUB WELDMENT	24' S/N C1852+ 30' S/N D2184+
36.	802-078C	HHCS 1/4-20X5/8 GR5	24' S/N C1852+ 30' S/N D2184+
37.	804-007C	WASHER FLAT 1/4 SAE PLT	24' S/N C1852+ 30' S/N D2184+

**Legend:** ● = 1st revision; ⊗ = 2nd revision; ⊕ = 3rd revision; ● = use up existing stock; ⊗ = not interchangeable; ⊗ ① = for example: revision 2 is not interchangeable w/revision 1

**Gauge Wheel Mud Guard**



14403

*Gauge Wheel Mud Guard*

Ref.	Part No.	Part Description	Comments
1.	152-374D	GUARD SUPPORT	
2.	802-023C	HHCS 3/8-16X1 3/4 GR5	
3.	816-232C	GW GUARD	
4.	803-014C	NUT HEX 3/8-16 PLT	
5.	804-013C	WASHER LOCK SPRING 3/8 PLT	
6.	804-012C	WASHER FLAT 3/8 SAE PLT	
7.	802-017C	HHCS 3/8-16X1 GR5	
8.	152-373D	GUARD MOUNT	

**Legend:** ① = 1st revision; ② = 2nd revision; ③ = 3rd revision; ● = use up existing stock; ⊗ = not interchangeable; ⊗ ① ② = for example: revision 2 is not interchangeable w/revision 1



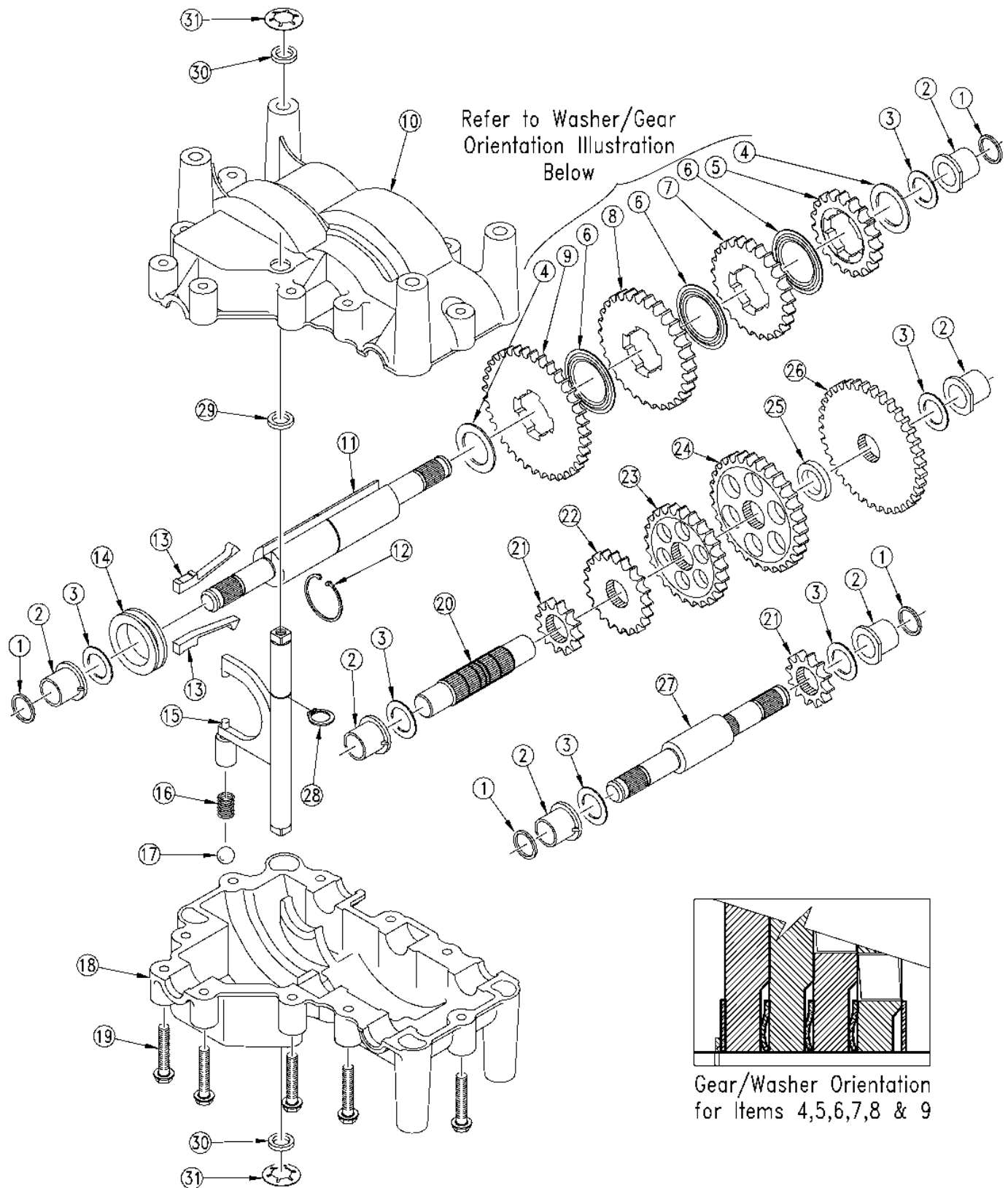


**Gearbox to Box Frame**

Ref.	Part No.	Part Description	Comments
1.	802-300C	HHCS 1/4-28X3/8 GR5	
2.	804-006C	WASHER LOCK SPRING 1/4 PLT	
3.	804-007C	WASHER FLAT 1/4 SAE PLT	
4.	120-237D	GEARBOX SHIFT HANDLE	
5.	801-076C	SCR SELF TAPPING 3/8X1	
6.	197-239D	GEAR BOX COVER LH	Shown
	197-240D	GEAR BOX COVER RH	
7.	890-282C	GEAR BOX	Refer to page 6-27 for breakdown.
8.	804-013C	WASHER LOCK SPRING 3/8 PLT	
9.	808-157C	SPKT 40B19 X 36T SPLINE BORE	
10.	800-141C	SNAP RING EXT F/PEERLESS G.B.	
11.	808-160C	SPKT 40B12 X 36T SPLINE BORE	
12.	803-035C	NUT HEX 8-32 BRASS	
13.	804-002C	WASHER INTERNAL STAR #8 BRASS	
14.	819-045C	2SNT DRIVE TYPE PLATE	
	819-059C	DRIVE TYPE PLATE, 4 3 2 1	Shown
15.	801-001C	SCREW RD HD 8-32 X 3/8 BRASS	

**Legend:** ● = 1st revision; ● = 2nd revision; ● = 3rd revision; ● = use up existing stock; ⊗ = not interchangeable; ⊗ ① ● = for example: revision 2 is not interchangeable w/revision 1

**Gearbox (890-282C)**



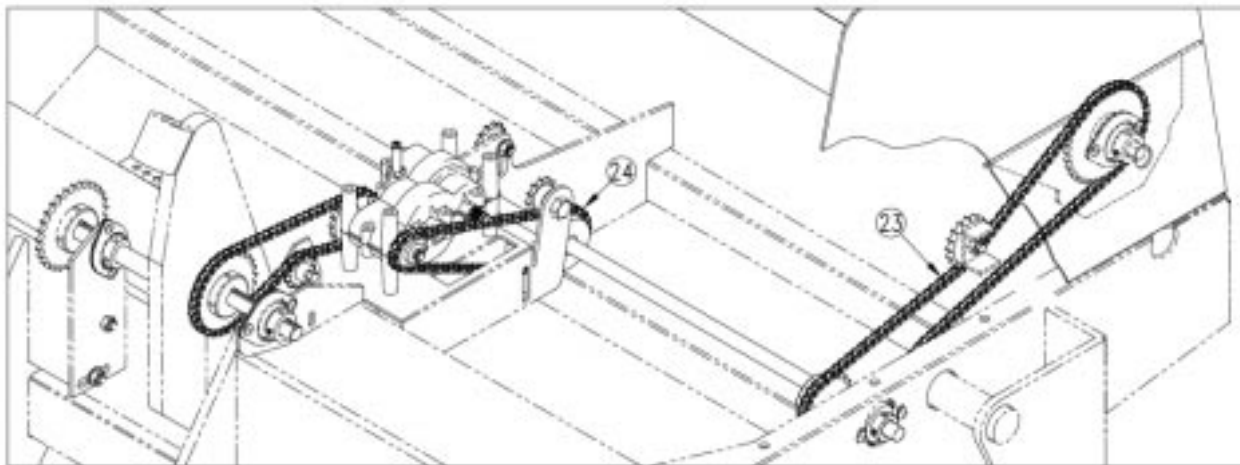
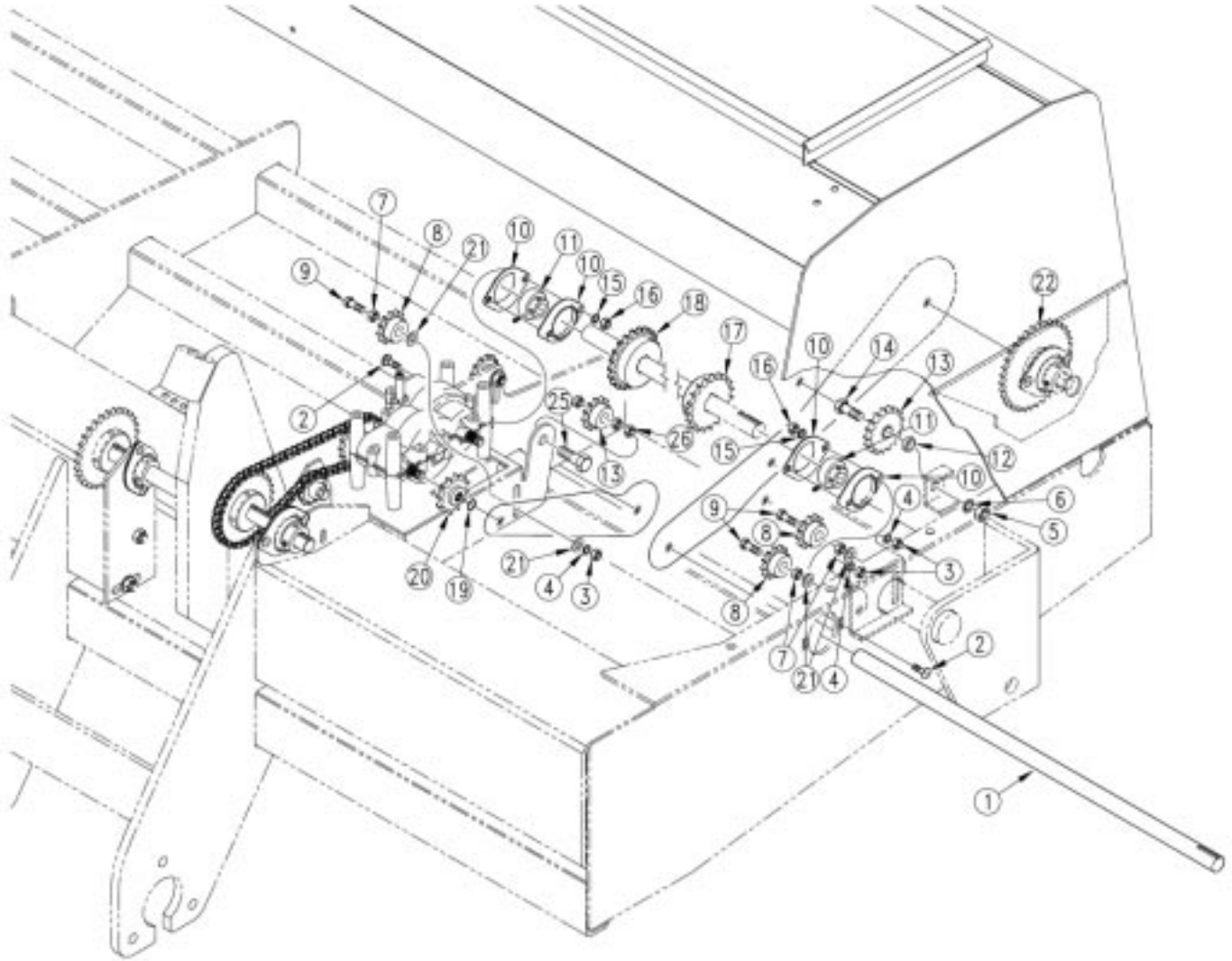
12056

**Gearbox (890-282C)**

Ref.	Part No.	Part Description	Comments
1.	788051A	P/T RING SQUARE CUT	
2.	780105A	P/T BUSHING FLANGED	
3.	780072	P/T WASHER	
4.	780090	P/T WASHER	
5.	778273	P/T SPUR GEAR 19T	
6.	780108	P/T WASHER	
7.	778123A	P/T SPUR GEAR 25T	
8.	778124A	P/T SPUR GEAR 30T	
9.	778146A	P/T SPUR GEAR 37T	
10.	772131	P/T COVER CASTING 9100 4 SPD	
11.	776370	P/T SHIFTER & OUTPUT SHAFT	
12.	788078A	P/T RETAINING RING INVERTED	
13.	792159	P/T SHIFT KEY	
14.	784371	P/T SHIFT COLLAR	
15.	784372	Shift Rod & Fork Assembly	
	784312	REPL. BY 784372	
16.	792142	P/T SPRING	
17.	792139	P/T BALL 3/8 DIA	
18.	770119	P/T CASE CASTING 9100	
19.	792073A	P/T HHCS THD FORMING	
20.	776369	P/T COUNTERSHAFT	
21.	778211	P/T SPUR GEAR 12T	
22.	778126A	P/T SPUR GEAR 20T	
23.	778127A	P/T SPUR GEAR 25T	
24.	778163	P/T SPUR GEAR 31T	
25.	786088	P/T SPACER	
26.	778319	P/T SPUR GEAR 36T	
27.	776368	P/T INPUT SHAFT	
28.	792017	P/T RETAINING RING	
29.	780095	P/T WASHER	TUBE 0.562 LONG
30.	788069	P/T RING SQUARE CUT	
31.	792145	P/T PUSHNUT 1/2	
	788067B	P/T GREASE TUBE 32 OZ	Not shown.
	510334	P/T ANAEROBIC SEALANT	Not shown.

**Legend:** ● = 1st revision; ● = 2nd revision; ● = 3rd revision; ● = use up existing stock; ⊗ = not interchangeable; ⊗ ① ● = for example: revision 2 is not interchangeable w/revision 1

*Agitator Drive (Option)*



13372

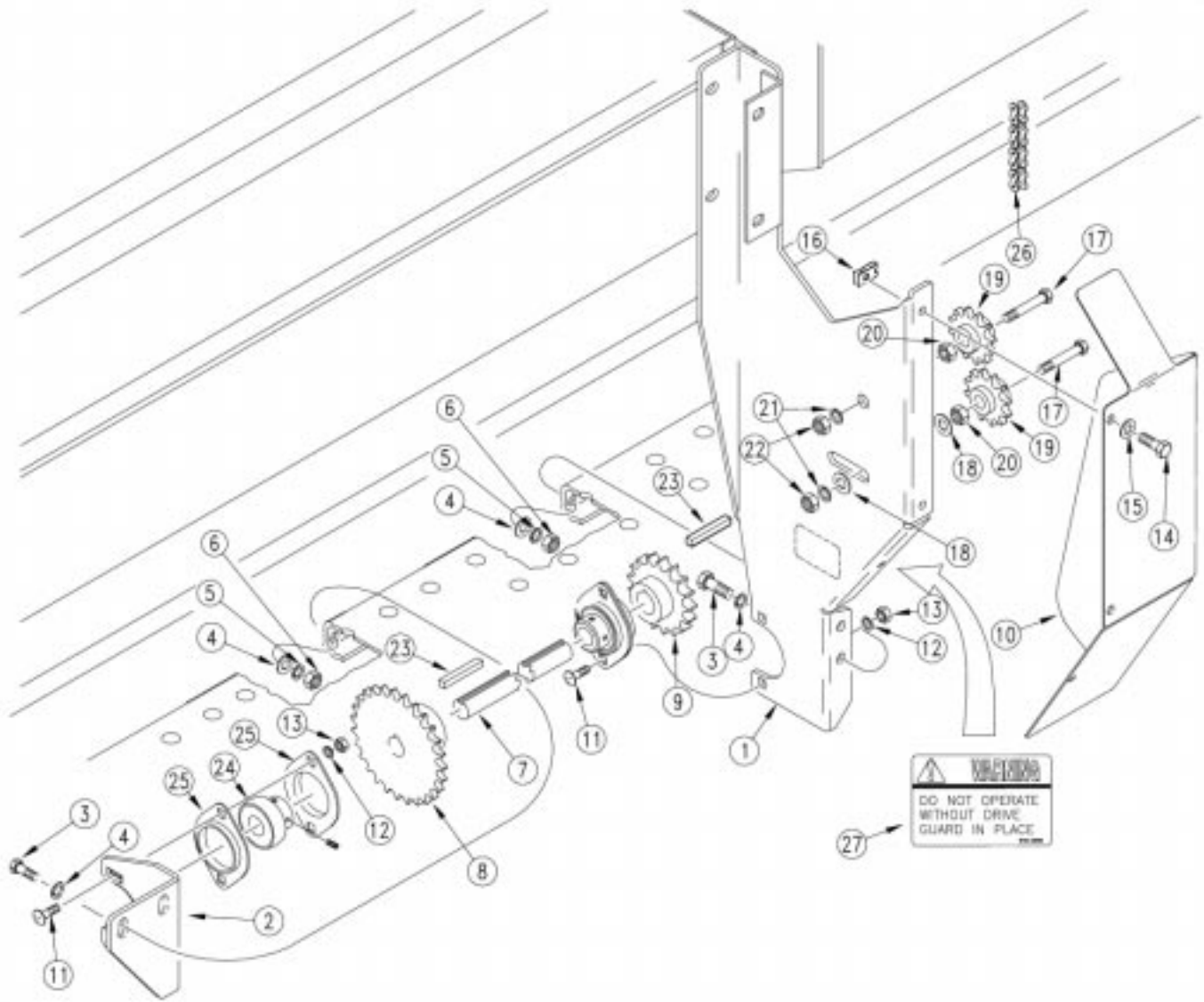
**Agitator Drive (Option)**

Ref.	Part No.	Part Description	Comments
1.	123-525D	SML SDS & AG SHAFT LH&RH 30'	
	123-526D	SML SDS & AG SHAFT LH&RH 24'	
2.	802-282C	RHSNB 5/16-18X1 GR5	
3.	803-020C	NUT HEX 1/2-13 PLT	
4.	804-015C	WASHER LOCK SPRING 1/2 PLT	
5.	803-021C	NUT HEX 5/8-11 PLT	
6.	804-022C	WASHER LOCK SPRING 5/8 PLT	
7.	803-036C	NUT HEX JAM 1/2-13 PLT	
8.	817-025C	NO. 40 12T IDLER SPKT.	
9.	802-039C	HHCS 1/2-13X3 GR5	
10.	822-032C	FLANGETTE 52 MST	
11.	822-060C	BEARING 1 BORE W/LOCK COLLAR	
12.	118-501D	IDLER ADJUST TUBE	
13.	808-046C	SPKT 40A17 IDLER	
14.	802-055C	HHCS 5/8-11X2 GR5	
15.	804-009C	WASHER LOCK SPRING 5/16 PLT	
16.	803-008C	NUT HEX 5/16-18 PLT	
17.	⊗ 808-125C	SPKT 40B19X1 B MAX .875 THRU	
	● ⊗ 152-312D	REPLACED BY 808-125C	
	● ⊕ 808-052C	OBSOLETE REPLACED BY 152-312D	
	808-024C	SPKT 40B12 X 1 BORE	24' S/N C1852+ 30' S/N D2184+
18.	808-183C	SPKT 40B22 1 BORE W/KW & SS	
19.	800-141C	SNAP RING EXT F/PEERLESS G.B.	
20.	808-160C	SPKT 40B12 X 36T SPLINE BORE	
	197-278D	ACREMETER SPROCKET	24' S/N C1852+ 30' S/N D2184+
21.	804-017C	WASHER FLAT 1/2 USS PLT	
22.	808-185C	SPKT 40B35 X 3/4 HEX BORE W/SS	
23.	⊗ 136-016D	CHAIN RL #40 122 PITCHES	
	● ⊕ 809-032C	REPLACED BY 136-016D	
	136-136D	CHAIN RL #40 112 PITCHES	24' S/N C1852+ 30' S/N D2184+
24.	809-060C	CHAIN RL 40 X 66 PITCH	
	136-109D	CHAIN RL #40 72 PITCHES	24' S/N C1852+ 30' S/N D2184+
25.	802-436C	HHCS 5/8-11X3 1/2 FT HD	
26.	803-023C	NUT HEX JAM 5/8-11 PLT	

**Legend:** ● = 1st revision; ⊗ = 2nd revision; ⊕ = 3rd revision; ● = use up existing stock; ⊗ = not interchangeable; ⊕ ⊗ = for example: revision 2 is not interchangeable w/revision 1



**Small Seeds Jackshaft Drive (Option)**



13358

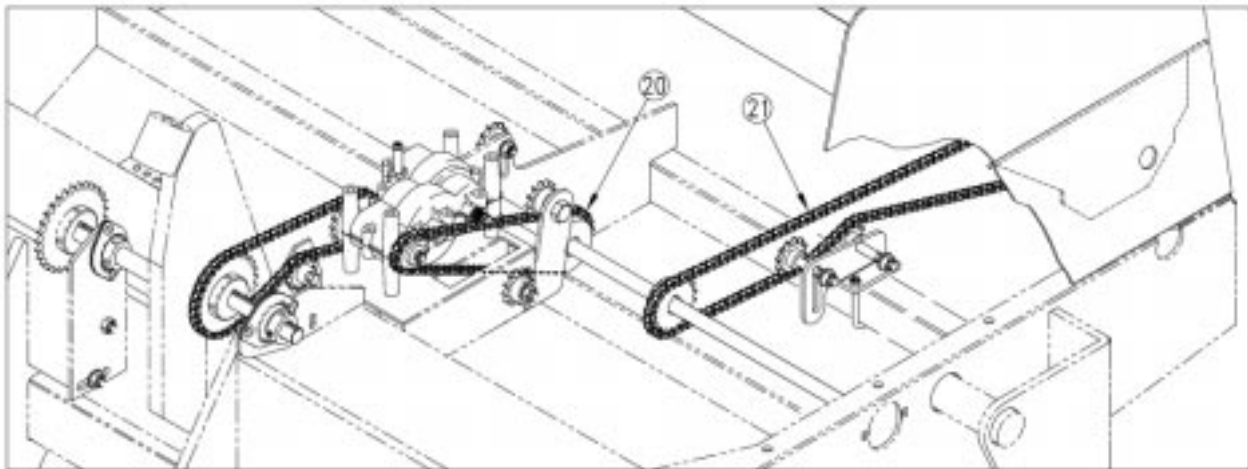
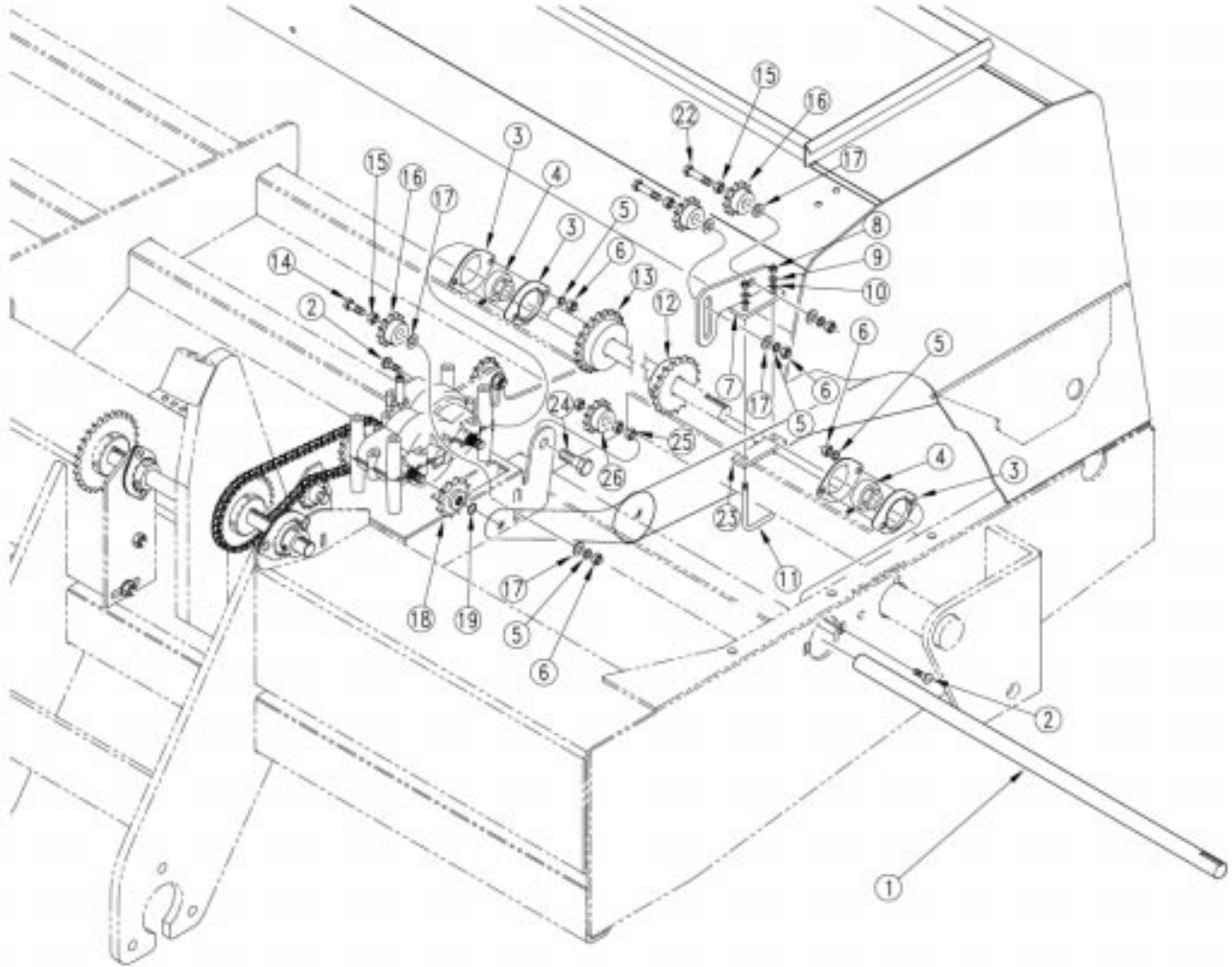


**Small Seeds Jackshaft Drive (Option)**

Ref.	Part No.	Part Description	Comments
1.	133-008H 133-030H	DRIVE GUARD MOUNT WELDMNT 30' DRIVE GUARD MOUNT WELDMNT	
2.	123-385D	REAR BEARING BRACKET	
3.	802-014C	HHCS 3/8-16X3/4 GR5	
4.	804-012C	WASHER FLAT 3/8 SAE PLT	
5.	804-013C	WASHER LOCK SPRING 3/8 PLT	
6.	803-014C	NUT HEX 3/8-16 PLT	
7.	123-533D 123-534D	30' 2SNT SGS REAR JACK SHAFT 24' 2SNT SGS REAR JACK SHAFT	
8.	808-072C	SPKT 40B28 X 3/4 B W/ KW & SS	
9.	808-118C	SPKT 40B18 X 3/4 B W/KW & 2SS	
10.	123-529D	2SNT SGS REAR DRIVE GUARD	
11.	802-092C	RHSNB 5/16-18X3/4 GR5	
12.	804-009C	WASHER LOCK SPRING 5/16 PLT	
13.	803-008C	NUT HEX 5/16-18 PLT	
14.	802-078C	HHCS 1/4-20X5/8 GR5	
15.	804-006C	WASHER LOCK SPRING 1/4 PLT	
16.	800-013C	1/4-20 X 1 U TYPE FASTENER	
17.	802-039C	HHCS 1/2-13X3 GR5	
18.	804-016C	WASHER FLAT 1/2 SAE PLT	
19.	817-025C	NO. 40 12T IDLER SPKT.	
20.	803-036C	NUT HEX JAM 1/2-13 PLT	
21.	804-015C	WASHER LOCK SPRING 1/2 PLT	
22.	803-020C	NUT HEX 1/2-13 PLT	
23.	109-031D	JACK SHAFT - KEY	
24.	822-040C	BEARING 3/4BORE 47MM SPHERE OD	
25.	822-041C	FLANGETTE 47 MST	
26.	809-043C	CHAIN RL #40 X 94 PITCH	
27.	818-205C	DECAL WARNING MOVING PARTS HAZ	

**Legend:** ● = 1st revision; ● = 2nd revision; ● = 3rd revision; ● = use up existing stock; ⊗ = not interchangeable; ⊗ ① ● = for example: revision 2 is not interchangeable w/revision 1

*Small Seeds Drive (Option)*



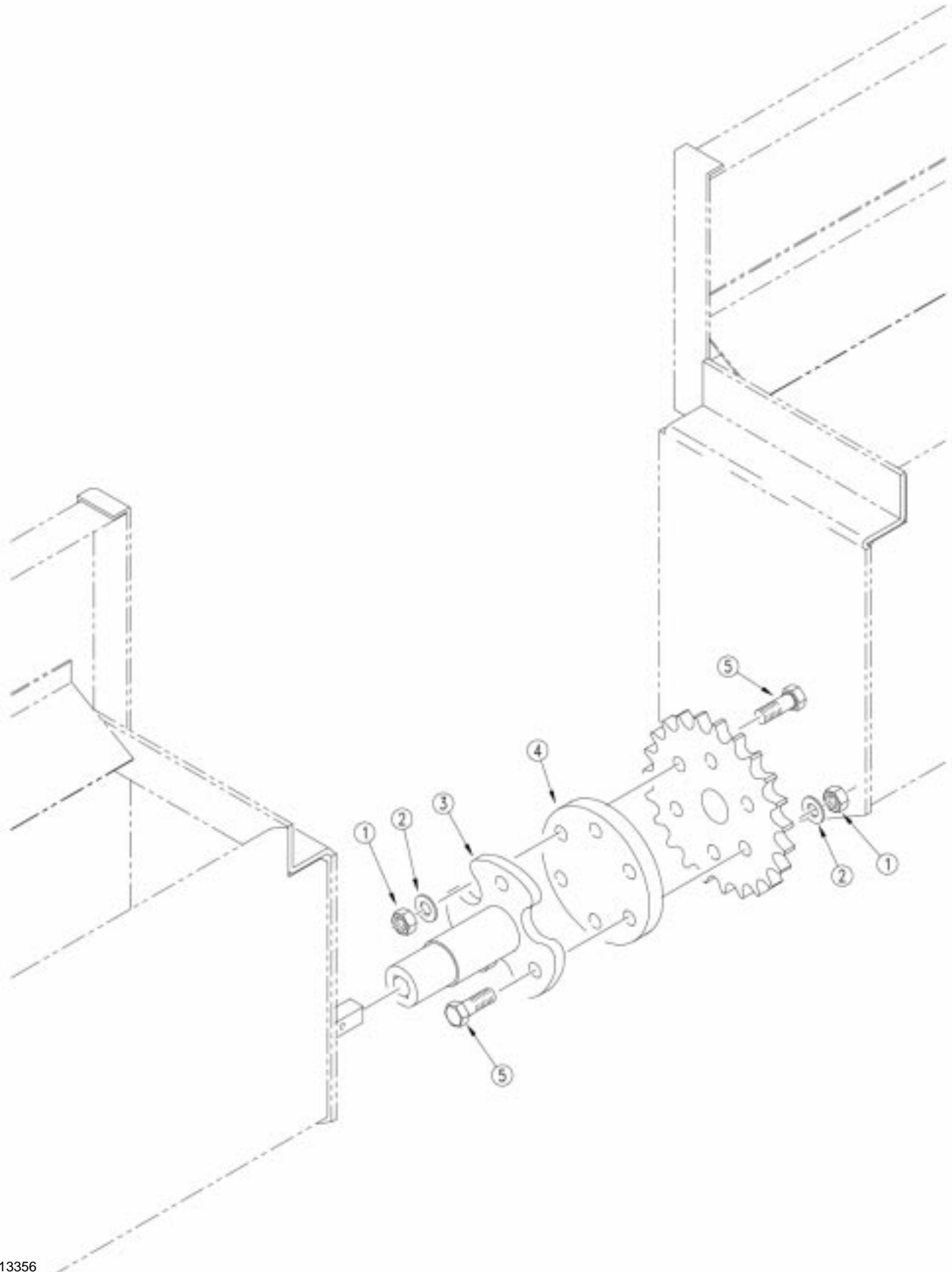
13647

**Small Seeds Drive (Option)**

Ref.	Part No.	Part Description	Comments
1.	123-525D	SML SDS & AG SHAFT LH&RH 30'	
	123-526D	SML SDS & AG SHAFT LH&RH 24'	
2.	802-282C	RHSNB 5/16-18X1 GR5	
3.	822-032C	FLANGETTE 52 MST	
4.	822-060C	BEARING 1 BORE W/LOCK COLLAR	
5.	804-009C	WASHER LOCK SPRING 5/16 PLT	
6.	803-008C	NUT HEX 5/16-18 PLT	
7.	123-527D	2SNT SGS IDLER MOUNT	
8.	803-014C	NUT HEX 3/8-16 PLT	
9.	804-012C	WASHER FLAT 3/8 SAE PLT	
10.	804-013C	WASHER LOCK SPRING 3/8 PLT	
11.	806-001C	U-BOLT 3/8-16 X 2 X 4	
12.	⊕ 808-125C	<b>SPKT 40B19X1 B MAX .875 THRU</b>	
	● ⊕ 152-312D	<b>REPLACED BY 808-125C</b>	
	● ⊕ 808-052C	<b>OBSOLETE REPLACED BY 152-312D</b>	
	808-024C	SPKT 40B12 X 1 BORE	24' S/N C1852+ 30' S/N D2184+
13.	808-183C	SPKT 40B22 1 BORE W/KW & SS	
14.	802-039C	HHCS 1/2-13X3 GR5	
15.	803-036C	NUT HEX JAM 1/2-13 PLT	
16.	817-025C	NO. 40 12T IDLER SPKT.	
17.	804-017C	WASHER FLAT 1/2 USS PLT	
18.	808-160C	SPKT 40B12 X 36T SPLINE BORE	
	197-278D	ACREMIETER SPROCKET	24' S/N C1852+ 30' S/N D2184+
19.	800-141C	SNAP RING EXT F/PEERLESS G.B.	
20.	809-060C	CHAIN RL 40 X 66 PITCH	
21.	⊕ 136-108D	<b>CHAIN RL #40 137 PITCHES</b>	
	● ⊕ 809-140C	<b>OBSOLETE REPLACED BY 136-108D</b>	
	136-090D	CHAIN RL #40 132 PITCHES	24' S/N C1852+ 30' S/N D2184+
22.	802-226C	HHCS 1/2-13X2 3/4 GR5	
23.	133-020D	SGS IDLER MOUNT SPACER	
24.	802-436C	HHCS 5/8-11X3 1/2 FTHD	
25.	803-023C	NUT HEX JAM 5/8-11 PLT	
26.	808-046C	SPKT 40A17 IDLER	

**Legend:** ● = 1st revision; ⊕ = 2nd revision; ⊕ = 3rd revision; ● = use up existing stock; ⊕ = not interchangeable; ⊕ ⊕ = for example: revision 2 is not interchangeable w/revision 1

*Small Seeds Coupler (Option)*



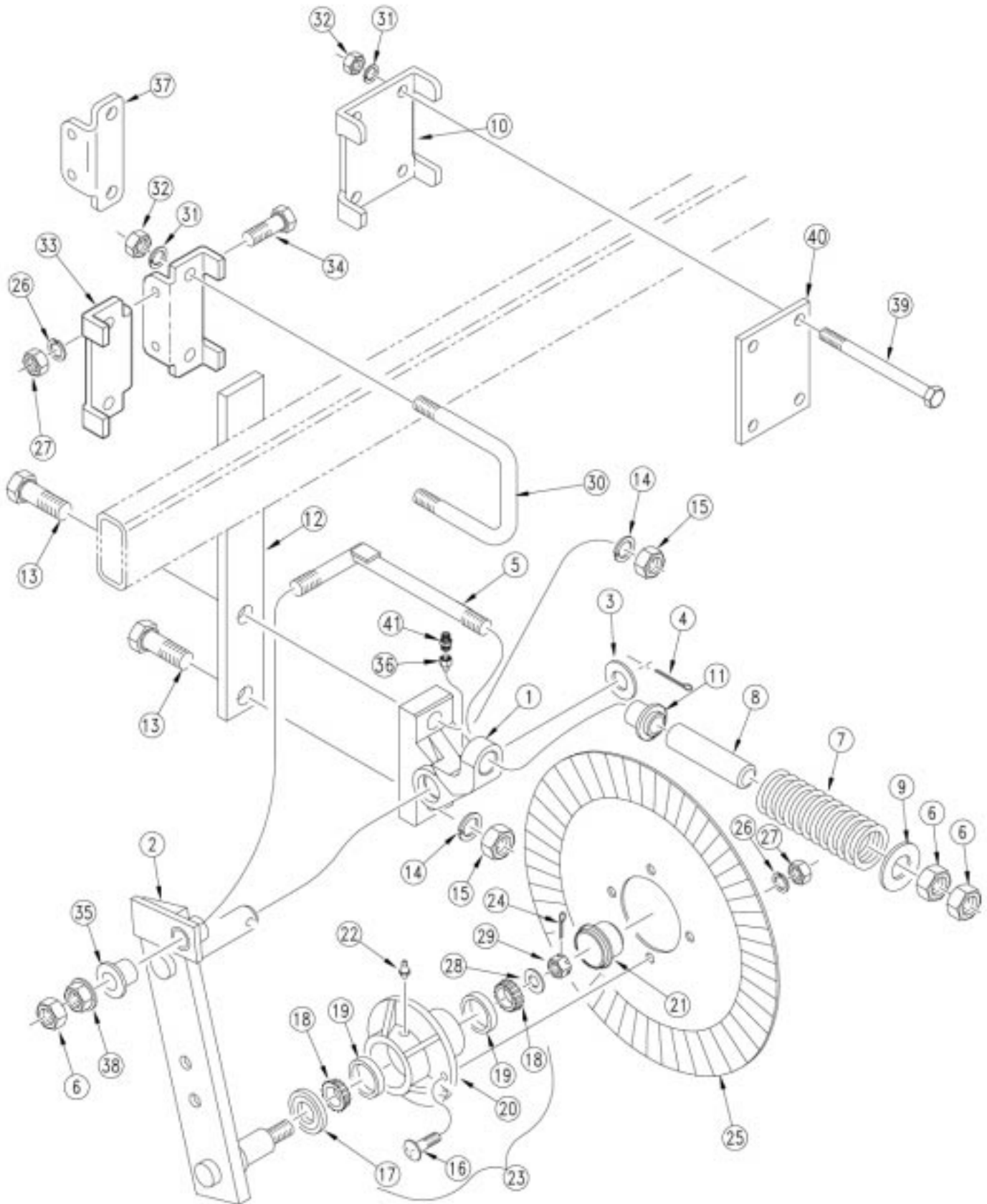
13356

**Small Seeds Coupler (Option)**

Ref.	Part No.	Part Description	Comments
1.	⊗ 803-255C	NUT HEX NYLOCK 1/4-20	
	● ① 803-003C	NUT HEX SS 1/4-20 NYLOCK	
2.	804-007C	WASHER FLAT 1/4 SAE PLT	
3.	123-474H	COUPLER CONNECT HUB WELDMENT	
4.	816-119C	COUPLER CUSHION PLATE	
5.	802-005C	HHCS 1/4-20X1 GR5	

**Legend:** ● = 1st revision; ⊗ = 2nd revision; ⊕ = 3rd revision; ● = use up existing stock; ⊗ = not interchangeable; ⊗ ① ⊗ = for example: revision 2 is not interchangeable w/revision 1

Coulter (24' Drills S/N C1859- & 30' Drills S/N D2201-)



12824

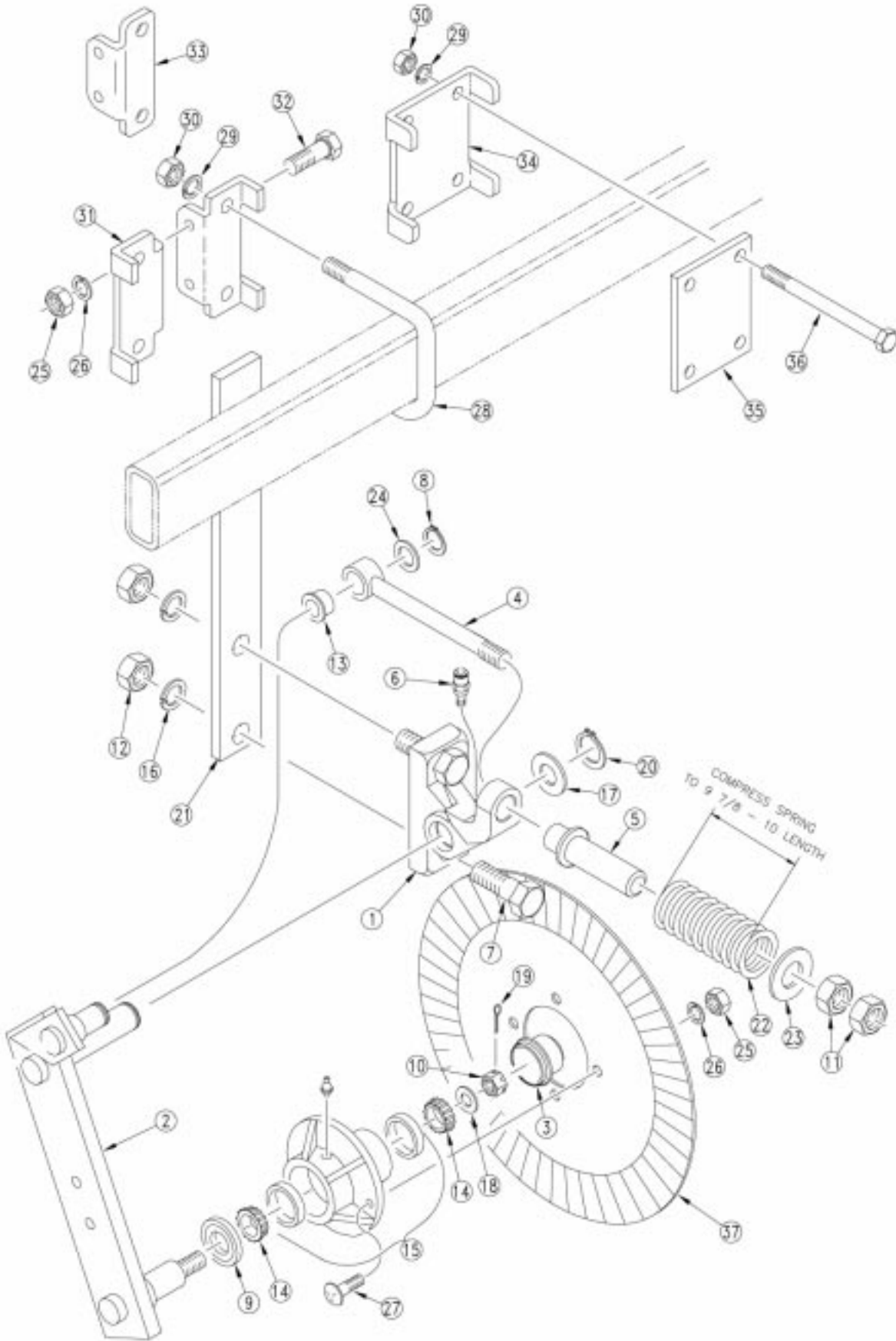
## Coulter (24' Drills S/N C1859- &amp; 30' Drills S/N D2201-)

Ref.	Part No.	Part Description	Comments
1.	149-006D	MACHINED MTG CASTING (COULTER)	
2.	⊗ 149-181E	FERT COULTER SWING ARM	
	● ① 149-928E	COULTER SWING ARM	
3.	804-039C	WASHER FLAT 1 1/4 SAE PLT	
4.	805-021C	PIN COTTER 1/4 X 2 PLT	
5.	204-075H	COULTER SPRING ROD WLDMT	
6.	803-048C	NUT HEX JAM 3/4-10 PLT	
7.	⊗ 149-559D	SPRING 2.25 O.D. X .5 COIL	
	① 807-074C	SPRING 2.25 OD X .5 COIL	
8.	204-107D	SPRING ROD SLEEVE 1 1/8 OD	
9.	⊗ 149-558D	COULTER SPRING WASHER	
	① 812-031C	CASTING COULTER SPRING WASHER	
10.	149-537D	SHORT COULTER CLAMP BAR	
11.	817-029C	BUSHING COULTER CASTING	
12.	⊗ 204-272D	COULT. SPRING BAR	
	① 807-008C	SPRING BAR - COULTER	
13.	802-103C	HHCS 7/8-9X2 3/4 GR5	
14.	804-037C	WASHER LOCK SPRING 7/8 PLT	
15.	803-049C	NUT HEX 7/8-9 PLT	
16.	802-214C	RHSNB 1/2-13X1 1/4 GR5	
17.	816-009C	OIL SEAL DOUBLE LIP	
18.	822-021C	BEARING CONE LM-67048	
19.	822-020C	BEARING CUP LM-67010	
20.	200-002D	COULTER HUB MACHINE	
21.	200-001D	HUB GREASE CAP	
22.	800-001C	GREASE ZERK STRAIGHT 1/4-28	
23.	200-002S	COULTER HUB PACKAGE	Includes items 16 through 22
24.	805-017C	PIN COTTER 3/16 X 1 3/4 PLT	
25.	820-018C	COULTER BLADE FLUTED	
	820-116C	17 COULTER BLADE 5/8 WAVY	
	820-082C	17 COULTER BLADE 3/4 WAVY	
	820-156C	5/8 WAVY TURBO BLADE	
26.	804-015C	WASHER LOCK SPRING 1/2 PLT	
27.	803-020C	NUT HEX 1/2-13 PLT	
28.	804-055C	WASHER SPINDLE - 7/8	
29.	803-029C	NUT HEX SLOTTED 7/8-14 PLT	
30.	806-106C	U-BOLT 5/8-11 X 4 1/32 X 4	
31.	804-022C	WASHER LOCK SPRING 5/8 PLT	
32.	803-021C	NUT HEX 5/8-11 PLT	
33.	149-059D	COULTER CLAMP BAR	
34.	802-082C	HHCS 1/2-13X1 3/4 GR5	
35.	817-051C	SWING ARM BUSHING	
36.	800-156C	FTG ADAPTER, 1/8 FNPT X 1/4-28M	
37.	197-010D	OFFSET COULTER BRKT F/LH BOX	
38.	803-181C	NUT HEX FLANGE LOCK 3/4-10 PLT	
39.	802-100C	HHCS 5/8-11X4 1/2 GR5	
40.	149-021D	COULTER U-BOLT BRACKET	
41.	800-157C	FTG TUBE,CONNECTOR 1/8 MNPT	

Legend: ● = 1st revision; ⊗ = 2nd revision; ⊕ = 3rd revision; ● = use up existing stock; ⊗ = not interchangeable; ⊗ ① ● = for example: revision 2 is not interchangeable w/revision 1



Coulter (24' Drills S/N C1860+ & 30' Drills S/N D2202+)



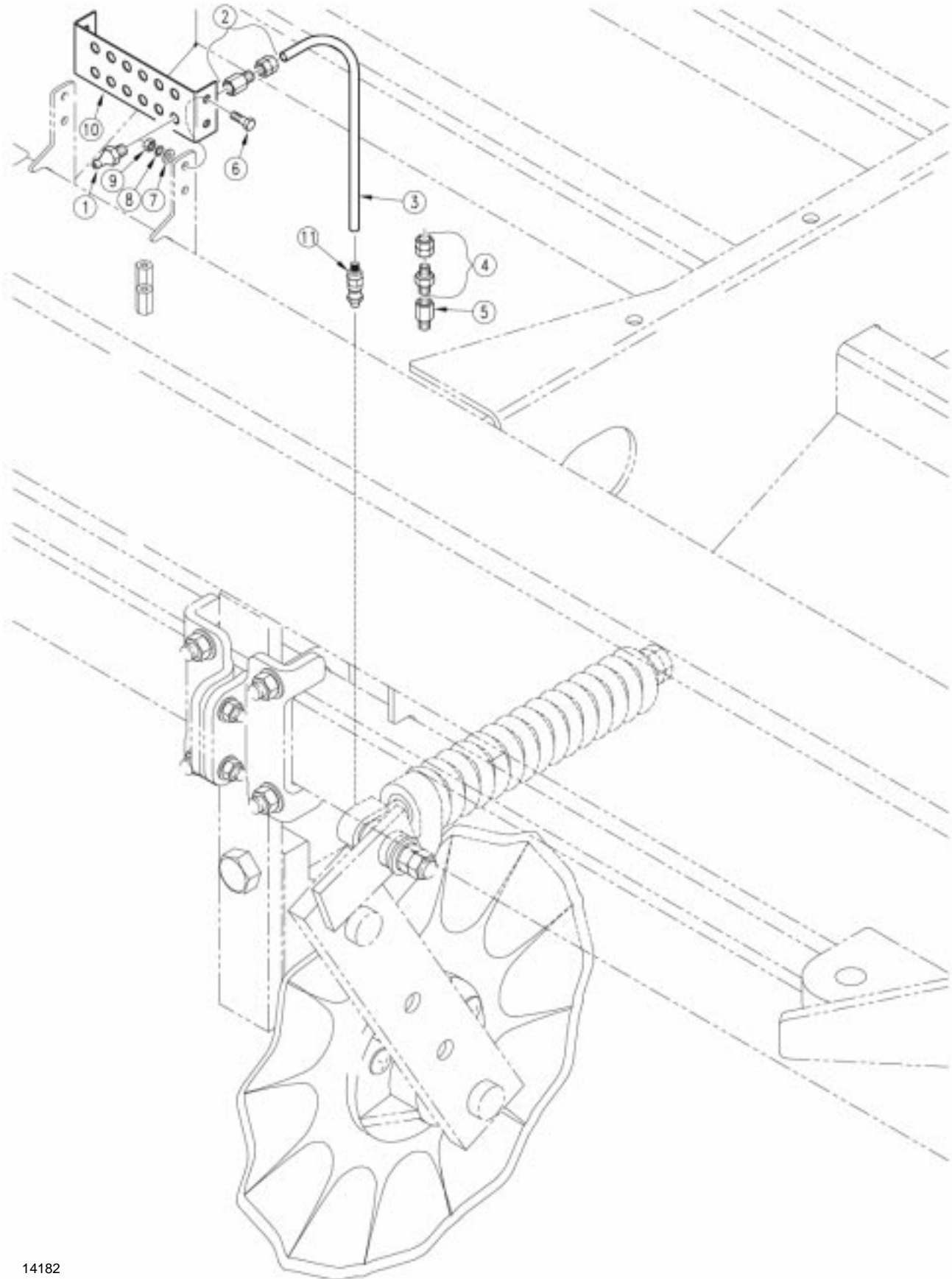
21700

**Coulter (24' Drills S/N C1860+ & 30' Drills S/N D2202+)**

Ref.	Part No.	Part Description	Comments
1.	249-050S	CLTR CASTING ASSY	
2.	249-051H	CLTR SWING ARM WLMT	
3.	200-001D	HUB GREASE CAP	
4.	802-718C	EYE BOLT 3/4-10X14 3/4 LG SP	
5.	805-331C	COULTER SPRING GUIDE TUBE	
6.	800-211C	GREASE ADAPT 1/4-28M X 1/4 TB	
7.	802-103C	HHCS 7/8-9X2 3/4 GR5	
8.	800-164C	SNAP RING 3/4 EXTERNAL HEAVY	
9.	816-009C	OIL SEAL DOUBLE LIP	
10.	803-029C	NUT HEX SLOTTED 7/8-14 PLT	
11.	803-048C	NUT HEX JAM 3/4-10 PLT	
12.	803-049C	NUT HEX 7/8-9 PLT	
13.	817-513C	BUSHING 1X3/4X1 1/8 FLG HD	
14.	822-021C	BEARING CONE LM-67048	
15.	200-039V	COULTER HUB & CUP ASSY	
16.	804-037C	WASHER LOCK SPRING 7/8 PLT	
17.	804-165C	WASHER MACH 1 7/8X1 1/4X 14GA	
18.	804-055C	WASHER SPINDLE - 7/8	
19.	805-017C	PIN COTTER 3/16 X 1 3/4 PLT	
20.	800-177C	SNAP RING EXT 1 1/4 HEAVY	
21.	204-272D	COULT. SPRING BAR	
22.	149-559D	SPRING 2.25 O.D. X .5 COIL	
23.	149-558D	COULTER SPRING WASHER	
24.	804-156C	WASHER MACH 1 1/4X3/4X14GA	
25.	803-020C	NUT HEX 1/2-13 PLT	
26.	804-015C	WASHER LOCK SPRING 1/2 PLT	
27.	802-214C	RHSNB 1/2-13X1 1/4 GR5	
28.	806-106C	U-BOLT 5/8-11 X 4 1/32 X 4	
29.	804-022C	WASHER LOCK SPRING 5/8 PLT	
30.	803-021C	NUT HEX 5/8-11 PLT	
31.	149-059D	COULTER CLAMP BAR	
32.	802-082C	HHCS 1/2-13X1 3/4 GR5	
33.	197-010D	OFFSET COULTER BRKT F/LH BOX	
34.	149-537D	SHORT COULTER CLAMP BAR	
35.	149-021D	COULTER U-BOLT BRACKET	
36.	802-100C	HHCS 5/8-11X4 1/2 GR5	
37.	820-018C	COULTER BLADE FLUTED	
	820-116C	17 COULTER BLADE 5/8 WAVY	
	820-082C	17 COULTER BLADE 3/4 WAVY	
	820-156C	5/8 WAVY TURBO BLADE	

**Legend:** ● = 1st revision; ● = 2nd revision; ● = 3rd revision; ● = use up existing stock; ⊗ = not interchangeable; ⊗ ① ● = for example: revision 2 is not interchangeable w/revision 1

*Grease Bank*



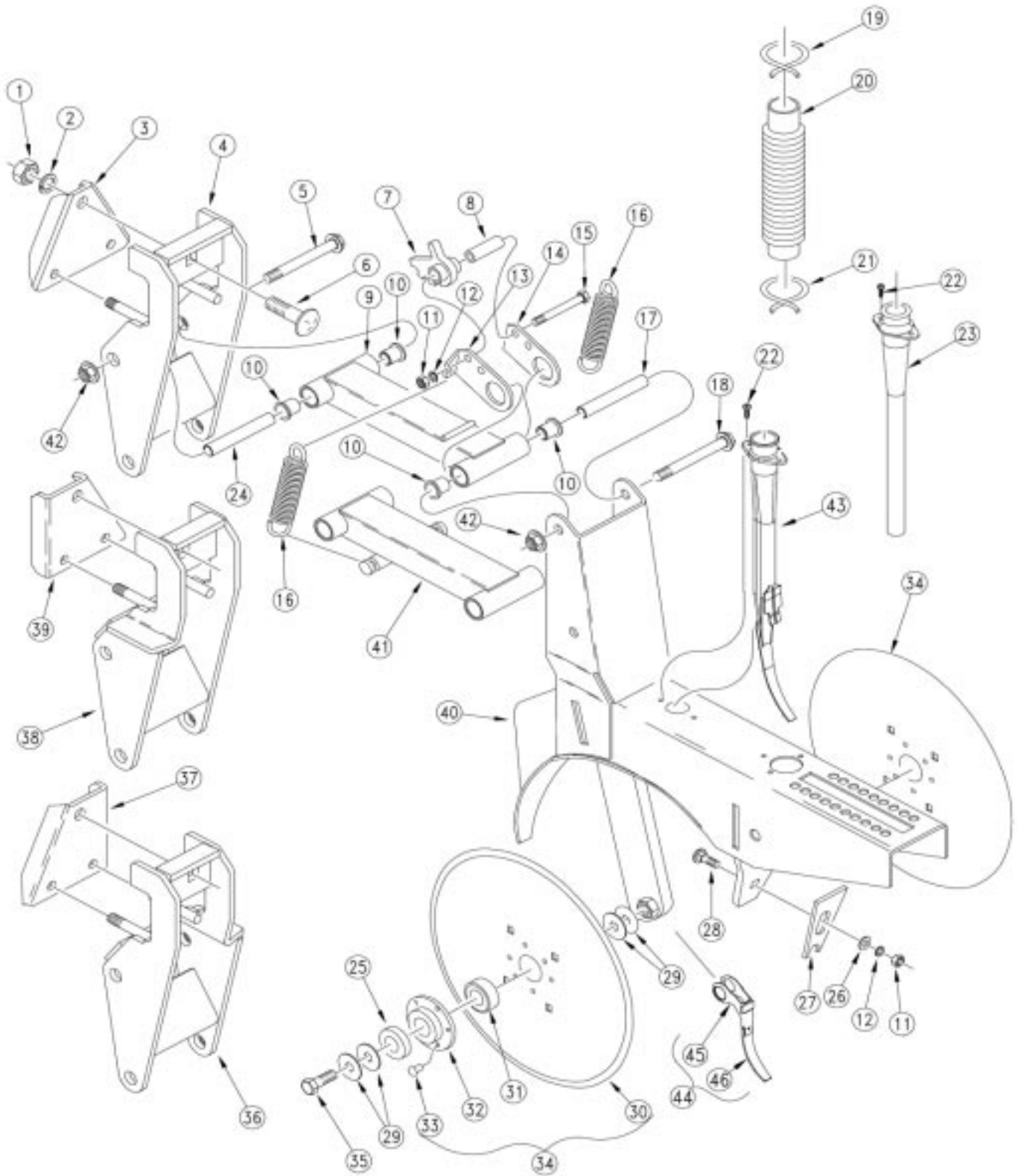
14182

**Grease Bank**

Ref.	Part No.	Part Description	Comments
1.	800-130C	GREASE ZERK STRAIGHT 1/8-27NPT	
2.	800-158C	FTG TUBE,CONNECTOR 1/8 FNPT	
3.	990-109R	TUBE NYLON 1/4OD X 062WL	
4.	800-157C	FTG TUBE,CONNECTOR 1/8 MNPT	
5.	800-156C	FTG ADAPTER,1/8 FNPT X 1/4-28M	
6.	802-004C	HHCS 1/4-20X3/4 GR5	
7.	804-007C	WASHER FLAT 1/4 SAE PLT	
8.	804-006C	WASHER LOCK SPRING 1/4 PLT	
9.	803-006C	NUT HEX 1/4-20 PLT	
10.	197-194D	GREASE BANK MOUNT	
11.	800-211C	GREASE ADAPT 1/4-28M X 1/4 TB	

**Legend:** ● = 1st revision; ● = 2nd revision; ● = 3rd revision; ● = use up existing stock; ⊗ = not interchangeable; ⊗ ① ● = for example: revision 2 is not interchangeable w/revision 1

Parallel Arm Opener (S/N D1928- 30' Drills and S/N C1709- 24' Drills)



12813

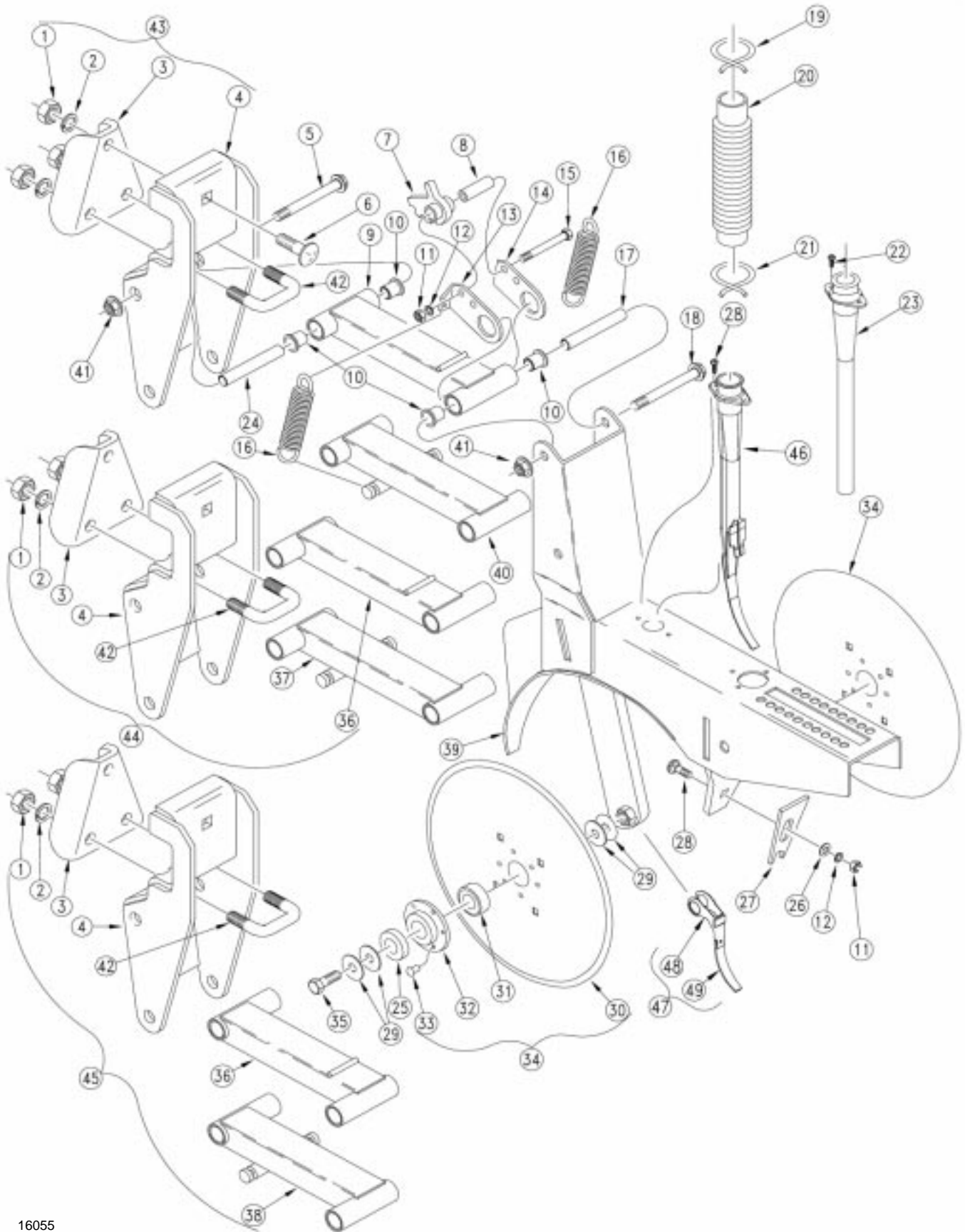
## Parallel Arm Opener (S/N D1928- 30' Drills and S/N C1709- 24' Drills)

Ref.	Part No.	Part Description	Comments
1.	803-021C	NUT HEX 5/8-11 PLT	
2.	804-022C	WASHER LOCK SPRING 5/8 PLT	
3.	198-179D	PARALLEL OPENER MOUNT PLATE	
4.	198-260H	OBSOLETE REPLACED BY 198-444A	Refer to #43 on page 7-9.
5.	802-420C	HFS 1/2-13X5 1/2	
6.	802-449C	RHSNB 5/8-11X3 1/2 GR5	
7.	812-204C	CASTING ADJUST CASTING	
8.	198-134D	SPRING ADJUST PIVOT TUBE	
9.	198-089H	TOP PARALLEL ARM WELDMENT	
10.	817-084C	PARALLEL ARM PIVOT BUSHING	
11.	803-014C	NUT HEX 3/8-16 PLT	
12.	804-013C	WASHER LOCK SPRING 3/8 PLT	
13.	198-127D	SPRING ADJUST PLATE LH	
14.	198-128D	SPRING ADJUST PLATE RH	
15.	802-147C	HHCS 3/8-16X3 1/2 GR5	
16.	807-116C	SPRING EXT 1 5/8OD X 6.6X.177	
17.	198-139D	REAR PARALLEL ARM PIVOT TUBE	
18.	802-648C	HFS 1/2-13 X 5 1/4	
19.	800-009C	CLAMP HOSE 1 5/8 NO. 26	
20.	816-002C	RUBBER GRAIN TUBE	
21.	800-008C	CLAMP HOSE 1 1/2 NO. 24	
22.	801-002C	SCREW HEX SLT10-16X3/8P.THD CT	
23.	817-133C	PLASTIC OPENER SEED TUBE	Model year 1998-
24.	198-140D	FRONT PARALLEL ARM PIVOT TUBE	
25.	107-111D	DD BRG FLANGE DUST COVER	
26.	804-012C	WASHER FLAT 3/8 SAE PLT	
27.	107-113D	D.D. SLOTTED SCRAPER	
28.	802-015C	RHSNB 3/8-16X1 GR5	
29.	804-040C	WASHER MACH 1.00 X .625 X 18GA	
30.	⊗ ① ② 820-155C ① 820-080C	FLAT DISK STEEL (1/4" rivets) FLAT DISK STEEL (3/16" rivets)	No longer available. Update with 107-133S, item 17.
31.	188-001V	BEARING AA205DD	
32.	⊗ ③ ④ 890-466C ③ 107-112D ② 890-452C ① 107-110D	RIBB BRG FLNG .266 MT HOLE PLT BEARING FLANGE-3/16 DIA HOLES REPLACED BY 107-112D REPLACED BY 107-112D	Use with 820-155C (1/4" rivets). Use with 820-080C (3/16" rivets).
33.	⊗ ② ③ 800-213C ② 800-212C ① 800-010C	RIVET,BUTTON HEAD 1/4 X 9/16 RIVET,BUTTON HEAD .203 X 9/16 REPLACED BY 800-212C	Use with 820-155C. Use with 820-080C.
34.	⊗ ① ② 107-133S ① 107-130S	D.D. W/ 205 BRG ASSY-PLT FLNG REPLACED BY 107-133S	Includes items 1 thru 4.
35.	802-228C	HHCS 5/8-11X1 1/2 GR5 NYL	
36.	198-261H	OBSOLETE REPLACED BY 198-446A	Refer to #44 on page 7-9.
37.	198-173D	PAO EXTENDED REAR PLATE LH	
38.	198-262H	OBSOLETE REPLACED BY 198-445A	Refer to #45 on page 7-9.
39.	198-174D	PAO EXTENDED REAR PLATE RH	
40.	② 198-409H  ● ① 198-092H	PARALLEL LINKAGE OPENER WELD  PARALLEL LINKAGE OPENER WELD	For drills manufactured before 5/1/2000 also order part no. 122-202S.
41.	198-090H	BOTTOM PARALLEL ARM WELDMENT	
42.	803-169C	NUT HEX FLG. LOCK 1/2-13 PLT.	
43.	817-314C	OPENER SEED TUBE, PLASTIC	Model year 1999+
44.	122-242S	SEED FLAP & HEX CLIP, SEEDLOK	Model year 1999+
45.	121-164D	HEX SEED FLAP MOUNTING CLIP	Model year 1999+
46.	816-302C	SEED FLAP, RUBBER, SEEDLOK	Model year 1999+

Legend: ● = 1st revision; ② = 2nd revision; ③ = 3rd revision; ● = use up existing stock; ⊗ = not interchangeable; ⊗ ① ② = for example: revision 2 is not interchangeable w/revision 1



Parallel Arm Opener (S/N D1928+ 30' Drills and S/N C1709+ 24' Drills)



16055



## Parallel Arm Opener (S/N D1928+ 30' Drills and S/N C1709+ 24' Drills)

Ref.	Part No.	Part Description	Comments
1.	803-021C	NUT HEX 5/8-11 PLT	
2.	804-022C	WASHER LOCK SPRING 5/8 PLT	
3.	198-210D	PARALLEL OPENER MOUNT PLATE	
4.	198-436H	PARALLEL ARM OPENER MOUNT	
5.	802-420C	HFS 1/2-13X5 1/2	
6.	802-449C	RHSNB 5/8-11X3 1/2 GR5	
7.	812-204C	CASTING ADJUST CASTING	
8.	198-134D	SPRING ADJUST PIVOT TUBE	
9.	198-089H	TOP PARALLEL ARM WELDMENT	
10.	817-084C	PARALLEL ARM PIVOT BUSHING	
11.	803-014C	NUT HEX 3/8-16 PLT	
12.	804-013C	WASHER LOCK SPRING 3/8 PLT	
13.	198-127D	SPRING ADJUST PLATE LH	
14.	198-128D	SPRING ADJUST PLATE RH	
15.	802-147C	HHCS 3/8-16X3 1/2 GR5	
16.	807-116C	SPRING EXT 1 5/8OD X 6.6X.177	
17.	198-139D	REAR PARALLEL ARM PIVOT TUBE	
18.	802-648C	HFS 1/2-13 X 5 1/4	
19.	800-009C	CLAMP HOSE 1 5/8 NO. 26	
20.	816-002C	RUBBER GRAIN TUBE	
21.	800-008C	CLAMP HOSE 1 1/2 NO. 24	
22.	801-002C	SCREW HEX SLT10-16X3/8P.THD CT	
23.	817-133C	PLASTIC OPENER SEED TUBE	Model year 1998-
24.	198-140D	FRONT PARALLEL ARM PIVOT TUBE	
25.	107-111D	DD BRG FLANGE DUST COVER	
26.	804-012C	WASHER FLAT 3/8 SAE PLT	
27.	107-113D	D.D. SLOTTED SCRAPER	
28.	802-015C	RHSNB 3/8-16X1 GR5	
29.	804-040C	WASHER MACH 1.00 X .625 X 18GA	
30.	107-134A	13 1/2 BLADE UDPATE-1/4 RIVETS	
31.	188-001V	BEARING AA205DD	
32.	890-452C	RIBBED BEARING FLANGE-PLATED	
33.	800-212C	RIVET,BUTTON HEAD .203 X 9/16	
34.	107-133S	D.D. W/ 205 BRG ASSY-PLT FLNG	
35.	802-228C	HHCS 5/8-11X1 1/2 GR5 NYL	
36.	198-437H	TOP PARALLEL ARM OFFSET WELDMT	
37.	198-439H	BOTTOM PARALLEL ARM LH OFFSET	
38.	198-438H	BOTTOM PARALLEL ARM RH OFFSET	
39.	198-409H	PARALLEL LINKAGE OPENER WELD	For drills manufactured before 5/1/2000 also order part no. 122-202S.
40.	198-090H	BOTTOM PARALLEL ARM WELDMENT	
41.	803-169C	NUT HEX FLG. LOCK 1/2-13 PLT.	
42.	806-149C	U-BOLT 5/8-11 X 2 1/32 X 2 GR5	
43.	198-444A	2SNT PA OPENER MOUNT UPDATE	Includes items 1 through 4 & 42
44.	198-446A	2SNT LH OFFSET PAO MOUNT UPDAT	Includes items 1 through 4; 42; 36 & 37
45.	198-445A	2SNT RH OFFSET PAO MOUNT UPDAT	Includes items 1 through 4; 42; 36 & 38
46.	817-314C	OPENER SEED TUBE, PLASTIC	Model year 1999+
47.	122-242S	SEED FLAP & HEX CLIP, SEEDLOK	Model year 1999+
48.	121-164D	HEX SEED FLAP MOUNTING CLIP	Model year 1999+
49.	816-302C	SEED FLAP, RUBBER, SEEDLOK	Model year 1999+

Legend: ● = 1st revision; ● = 2nd revision; ● = 3rd revision; ● = use up existing stock; ⊗ = not interchangeable; ⊗ ⊕ ● = for example: revision 2 is not interchangeable w/revision 1

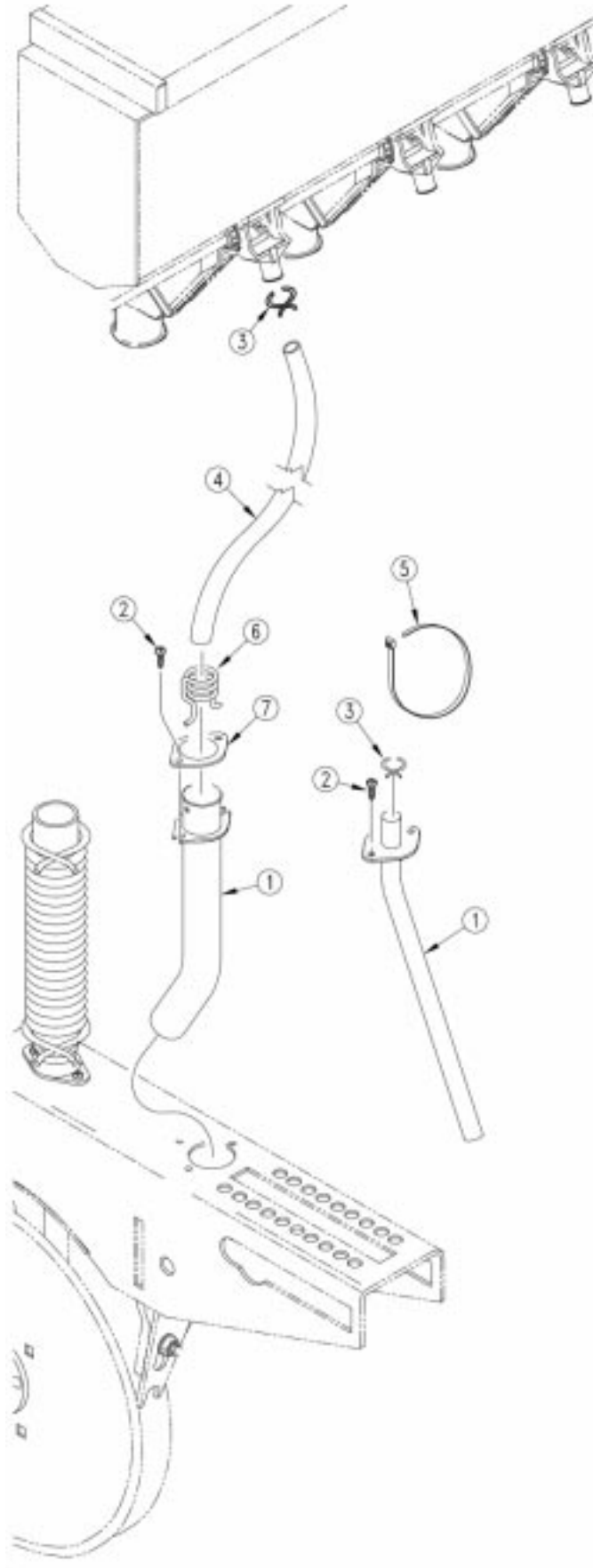


**5" & 6" Seed-Lok® (Option)**

Ref.	Part No.	Part Description	Comments
1.	122-173H	SS RMVBL SD-LOK MNT WLDMTd	
2.	122-120D	5 SEED-LOK WHL ARM PIVOT PIN	
3.	122-151D	SEED-LOK ARM (1994)	
4.	801-141C	LHS CP 3/8-16X3/4 GR8 PLAIN	
5.	122-201S	SD-LK 203 BEARING WHEEL ASSY	5" Seed-lok
	206-014S	6 GROOVED SEED LOK ASSEMBLY	6" Seed-lok
6.	807-101C	SPRING, 1 O.D.X.125WIREX 3 1/2	
7.	800-093C	SNAP RING EXT E 1/2	
8.	206-021D	SEED LOK WHEEL CAP (LONG)	Sept. 30, 1997-
9.	802-017C	HHCS 3/8-16X1 GR5	
10.	804-012C	WASHER FLAT 3/8 SAE PLT	
11.	804-013C	WASHER LOCK SPRING 3/8 PLT	
12.	817-134C	5/8 X 5 SEED FIRING WHEEL	5" Seed-lok
	817-191C	5/8 X 6 GROOVED SEED LOK WHEEL	6" Seed-lok
13.	816-173C	BEARING RETAINER W/BONDED SEAL	
14.	801-084C	SCR PH THD FMG #10X1/2 TP ZP	
15.	122-231A	SEED-LOK BEARING PACKAGE	Includes 6 bearings.
16.	809-198C	SEED LOK TIE UP	
17.	188-008V	BEARING 203 SEED-LOK WITH PIN	
18.	800-310C	SEED LOK HANGER SPRING	

**Legend:** ● = 1st revision; ● = 2nd revision; ● = 3rd revision; ● = use up existing stock; ⊗ = not interchangeable; ⊗ ① ● = for example: revision 2 is not interchangeable w/revision 1

*Small Seeds Hose Retainer (Option)*



16310

**Small Seeds Hose Retainer (Option)**

Ref.	Part No.	Part Description	Comments
1.	⊗ 817-346C	PLASTIC FERTILIZER TUBE	
	Ⓛ 123-939H	SMALL SEEDS DROP TUBE WLDMT	
2.	801-002C	SCREW HEX SLT10-16X3/8P.THD CT	
3.	800-029C	CLAMP HOSE GRASS SEED	
4.	123-521D	GRASS SEED HOSE, 40IN.	
5.	800-060C	CABLE TIE .19X14.25 3DIA 50LB	
6.	800-304C	SGS TUBE CLAMP	
7.	133-065D	SML SDS TB REINFORCEMENT RING	

**Legend:** Ⓛ = 1st revision; ⊗ = 2nd revision; ⊕ = 3rd revision; ● = use up existing stock; ⊗ = not interchangeable; ⊗ ⊕ ⊗ = for example: revision 2 is not interchangeable w/revision 1



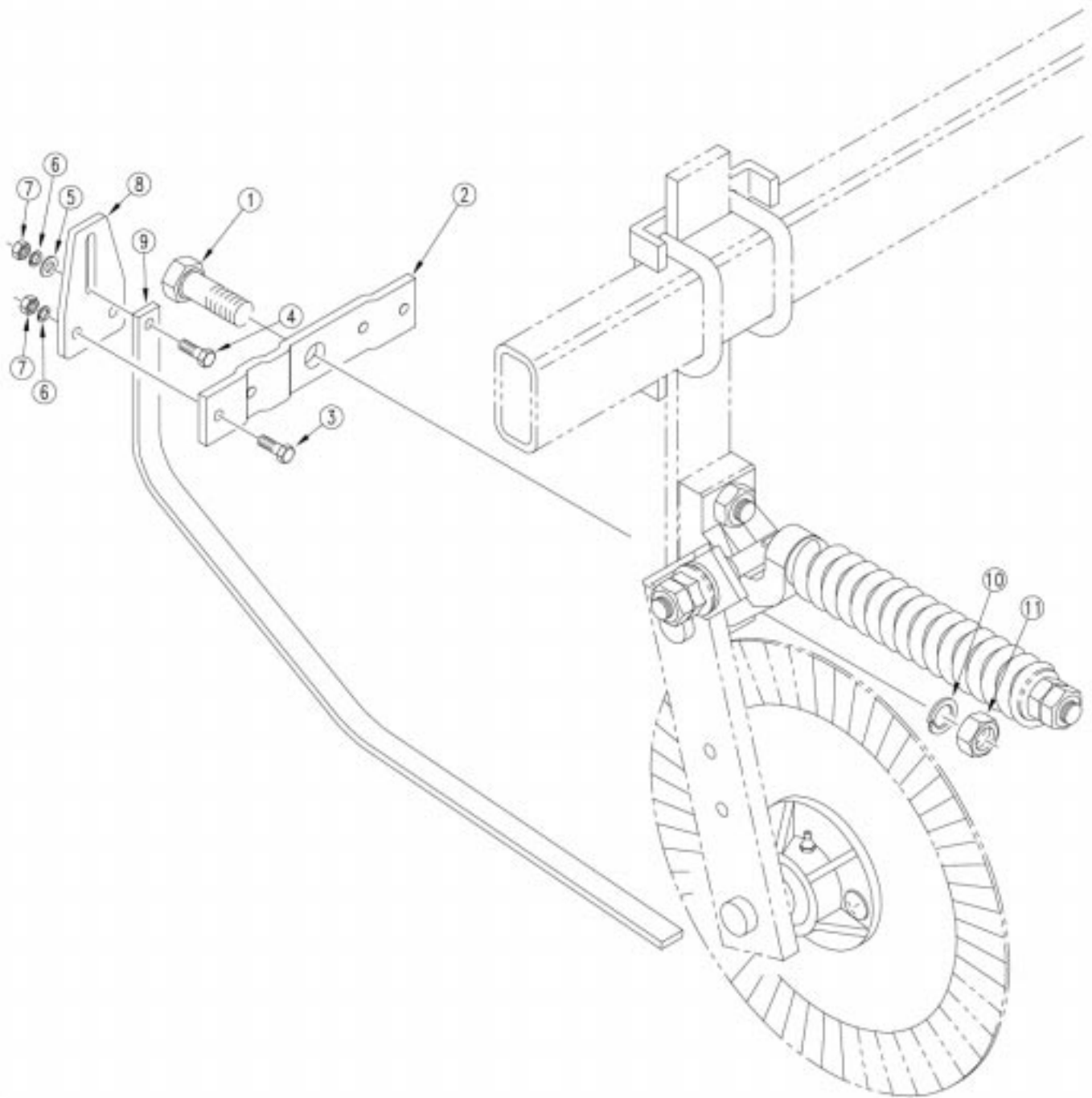
**Small Seeds Y-Tube Drop (Option)**

Ref.	Part No.	Part Description	Comments
1.	817-127C	1 1/4 DIA PLAST OPNR DROP TUBE	
2.	123-299D	EWNT DROP TUBE CONNECTOR HOSE	
3.	800-008C	CLAMP HOSE 1 1/2 NO. 24	
4.	123-306D	EWNT Y GRASS SEED HOSE	
5.	800-029C	CLAMP HOSE GRASS SEED	

**Legend:** ● = 1st revision; ● = 2nd revision; ● = 3rd revision; ● = use up existing stock; ⊗ = not interchangeable; ⊗ ① ● = for example: revision 2 is not interchangeable w/revision 1



*Coulter Tine (Option)*



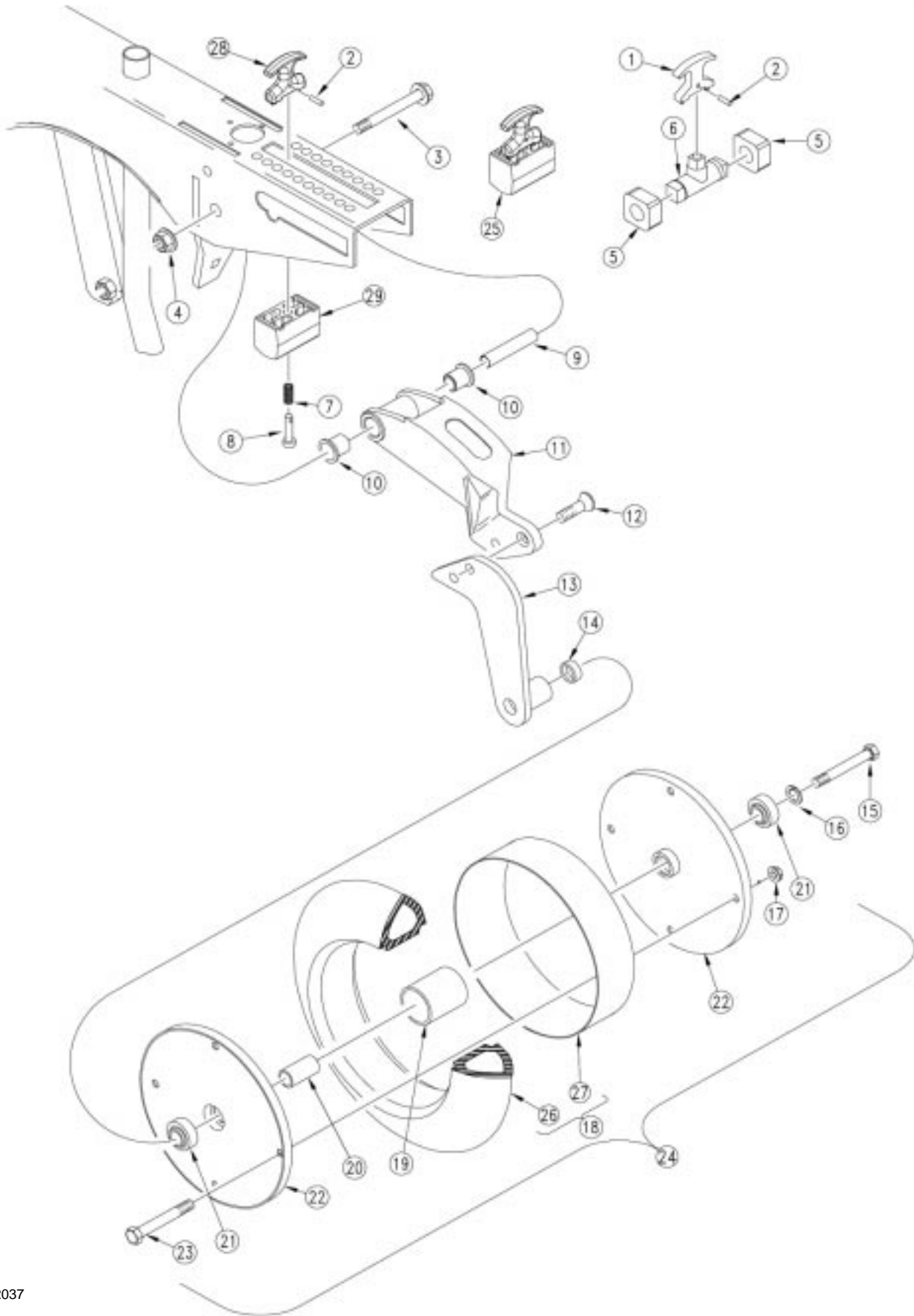
15683

**Coulter Tine (Option)**

Ref.	Part No.	Part Description	Comments
1.	802-126C	HHCS 7/8-9X3 1/2 GR5	
2.	149-550D	COULTER TINE MOUNT	
3.	802-100C	HHCS 5/8-11X4 1/2 GR5	
4.	802-022C	HHCS 3/8-16X1 1/2 GR5	
5.	804-011C	WASHER FLAT 3/8 USS PLT	
6.	804-013C	WASHER LOCK SPRING 3/8 PLT	
7.	803-014C	NUT HEX 3/8-16 PLT	
8.	149-549D	COULTER TINE CLAMP PLATE	
9.	820-114C	2SNT COULTER TINE	
10.	804-037C	WASHER LOCK SPRING 7/8 PLT	
11.	803-049C	NUT HEX 7/8-9 PLT	

**Legend:** ① = 1st revision; ② = 2nd revision; ③ = 3rd revision; ● = use up existing stock; ⊗ = not interchangeable; ⊗ ① ② = for example: revision 2 is not interchangeable w/revision 1

3" x 14" Peaked Press Wheel (S/N C1657- 24' Drills and S/N D1838- 30' Drills)



12037

**3" x 14" Peaked Press Wheel (S/N C1657- 24' Drills and S/N D1838- 30' Drills)**

Ref.	Part No.	Part Description	Comments
1.	❶ 198-104D	<b>OBSOLETE REPLACED BY 817-328C</b>	See item 28.
2.	805-186C	PIN ROLL 5/32 X 5/8 PLT	
3.	802-421C	HFS 1/2-13X3 3/4 GR5 SPTHD	
4.	803-169C	NUT HEX FLG. LOCK 1/2-13 PLT	
5.	817-132C	PRESS WHEEL ARM BUMPER	(2N2410 S/N C1811-; 2N3010 S/N D2082-) Use only with item 6.
6.	❶ 812-194C	<b>REPLACED BY 817-347C</b>	<b>(2N2410 S/N C1811-; 2N3010 S/N D2082-). See item 29.</b>
7.	807-106C	SPRING .540 O.D.X 1 1/4 X.054W	
8.	805-154C	PIN CLEVIS 3/8 X 2 1/8 USABLE	
9.	198-137D	PRESS WHEEL PIVOT TUBE	
10.	817-084C	PARALLEL ARM PIVOT BUSHING	
11.	199-025D	PRESS WHEEL ARM MACHINED	
12.	801-115C	SFHCS 1/2-13X1 W/ 3/8 SQ SOCKET	
13.	122-188H	PRESS WHEEL ARM END WMNT	
14.	122-125D	3 X 14 PRESS WHEEL SPACER	
15.	802-060C	HHCS 5/8-11X4 GR5	
16.	804-022C	WASHER LOCK SPRING 5/8 PLT	
17.	803-177C	NUT HEX LOCK 5/16-18 FLG.	
18.	122-198V	3 X 14 TIRE & RING ASSEMBLY	Includes items 26 & 27
19.	817-062C	LARGE SPACER TUBE	
20.	122-110D	SMALL SPACER TUBE	
21.	822-095C	BEARING DBL LIP 203 X 5/8 BORE	
22.	122-041D	4X12 PW RIM HALF	
23.	802-197C	HHCS 5/16-18X2 3/4 GR5	
24.	122-117S	3 X 14 PEAKED P.W. ASSEMBLY	Includes itmes 17 through 23
25.	122-202S	PW ADJUSTMENT TRUNNION ASSY	Includes items 2, 7, 8, 28 and 29.
26.	814-067C	TIRE 3 X 14 PW PEAKED	
27.	817-063C	3 X 14 RIM SPACER RING	
28.	⊗ 817-328C	<b>T-HANDLE ASSEMBLY</b>	
29.	⊗ 817-347C	<b>OPENER TRUNION</b>	<b>(2N2410 S/N C1812+; 2N3010 S/N D2083+)</b>

**Legend:** ❶ = 1st revision; ❷ = 2nd revision; ❸ = 3rd revision; ● = use up existing stock; ⊗ = not interchangeable; ⊗ ❶ = for example: revision 2 is not interchangeable w/revision 1

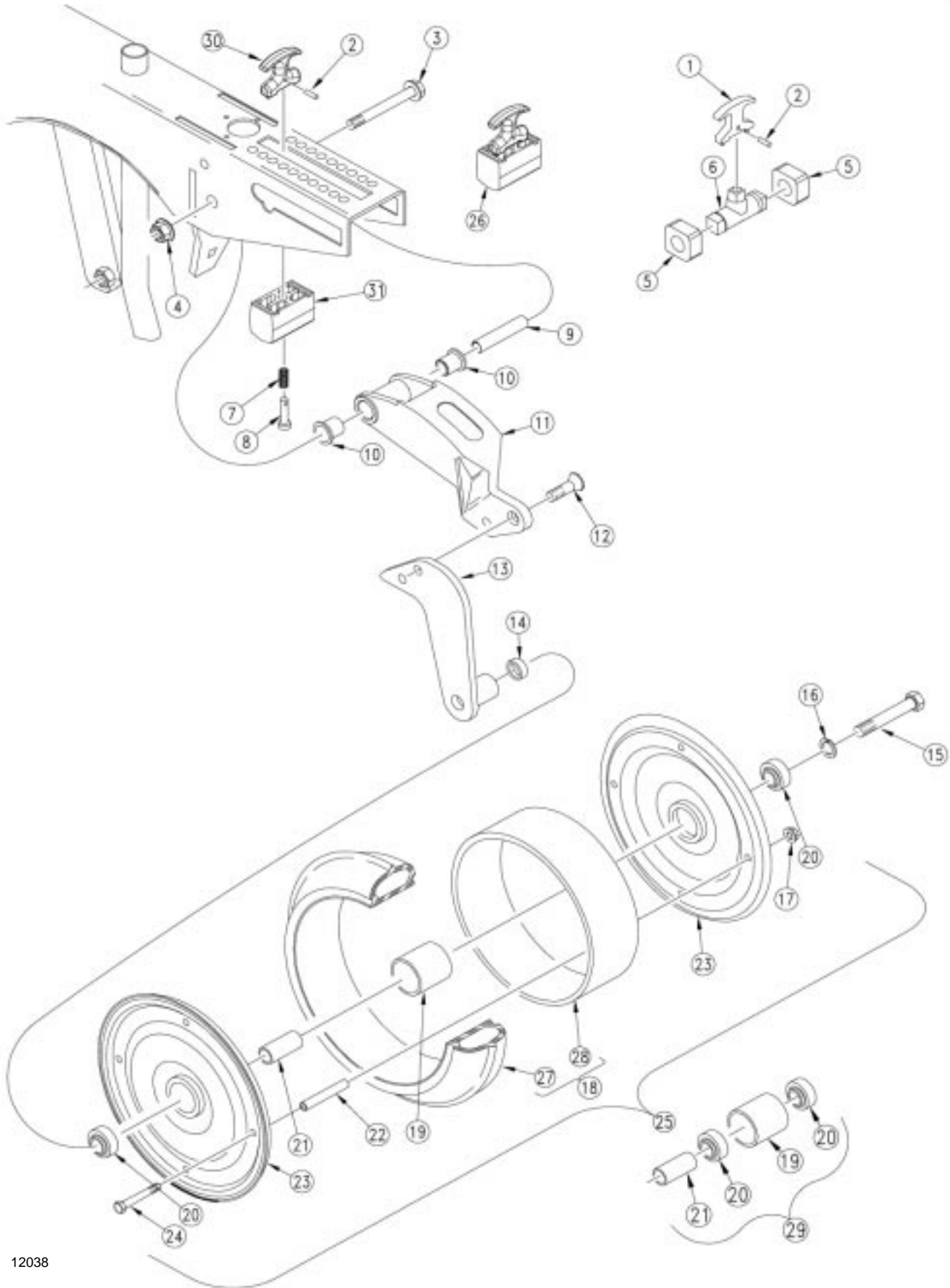


**3" x 14" Peaked Press Wheel (S/N C1658+ 24' Drills and S/N D1839+ 30' Drills)**

Ref.	Part No.	Part Description	Comments
1.	802-421C	HFS 1/2-13X3 3/4 GR5 SPTHD	
2.	803-169C	NUT HEX FLG. LOCK 1/2-13 PLT	
3.	198-137D	PRESS WHEEL PIVOT TUBE	
4.	817-084C	PARALLEL ARM PIVOT BUSHING	
5.	199-030D	3 X 14 PRESS WHEEL ARM	
6.	804-022C	WASHER LOCK SPRING 5/8 PLT	
7.	802-059C	HHCS 5/8-11X3 GR5	
8.	122-117S	3 X 14 PEAKED P.W. ASSEMBLY	Includes items 9 through 17
9.	802-197C	HHCS 5/16-18X2 3/4 GR5	
10.	822-095C	BEARING DBL LIP 203 X 5/8 BORE	
11.	803-177C	NUT HEX LOCK 5/16-18 FLG.	
12.	122-041D	4X12 PW RIM HALF	
13.	817-063C	3 X 14 RIM SPACER RING	
14.	814-067C	TIRE 3 X 14 PW PEAKED	
15.	122-198V	3 X 14 TIRE & RING ASSEMBLY	Includes items 13 and 14
16.	817-062C	LARGE SPACER TUBE	
17.	122-110D	SMALL SPACER TUBE	
18.	❶ 198-104D	<b>OBSOLETE REPLACED BY 817-328C</b>	<b>See item 25.</b>
19.	805-186C	PIN ROLL 5/32 X 5/8 PLT	
20.	817-132C	PRESS WHEEL ARM BUMPER	(2N2410 S/N C1811-; 2N3010 S/N D2082-) Use only with item 21.
21.	❶ 812-194C	<b>REPLACED BY 817-347C</b>	<b>(2N2410 S/N C1811-; 2N3010 S/N D2082-) See item 26.</b>
22.	807-106C	SPRING .540 O.D.X 1 1/4 X.054W	
23.	805-154C	PIN CLEVIS 3/8 X 2 1/8 USABLE	
24.	122-202S	PW ADJUSTMENT TRUNNION ASSY	Includes items 19, 22, 23, 25 and 26.
25.	❷ 817-328C	<b>T-HANDLE ASSEMBLY</b>	
26.	❷ 817-347C	<b>OPENER TRUNION</b>	<b>(2N2410 S/N C1812+; 2N3010 S/N D2083+)</b>

**Legend:** ❶ = 1st revision; ❷ = 2nd revision; ❸ = 3rd revision; ● = use up existing stock; ⊗ = not interchangeable; ⊗ ❶ ❷ = for example: revision 2 is not interchangeable w/revision 1

**3" x 13" "V" Crown Press Wheel (S/N C1657- 24' Drills and S/N D1838- 30' Drills)**



12038

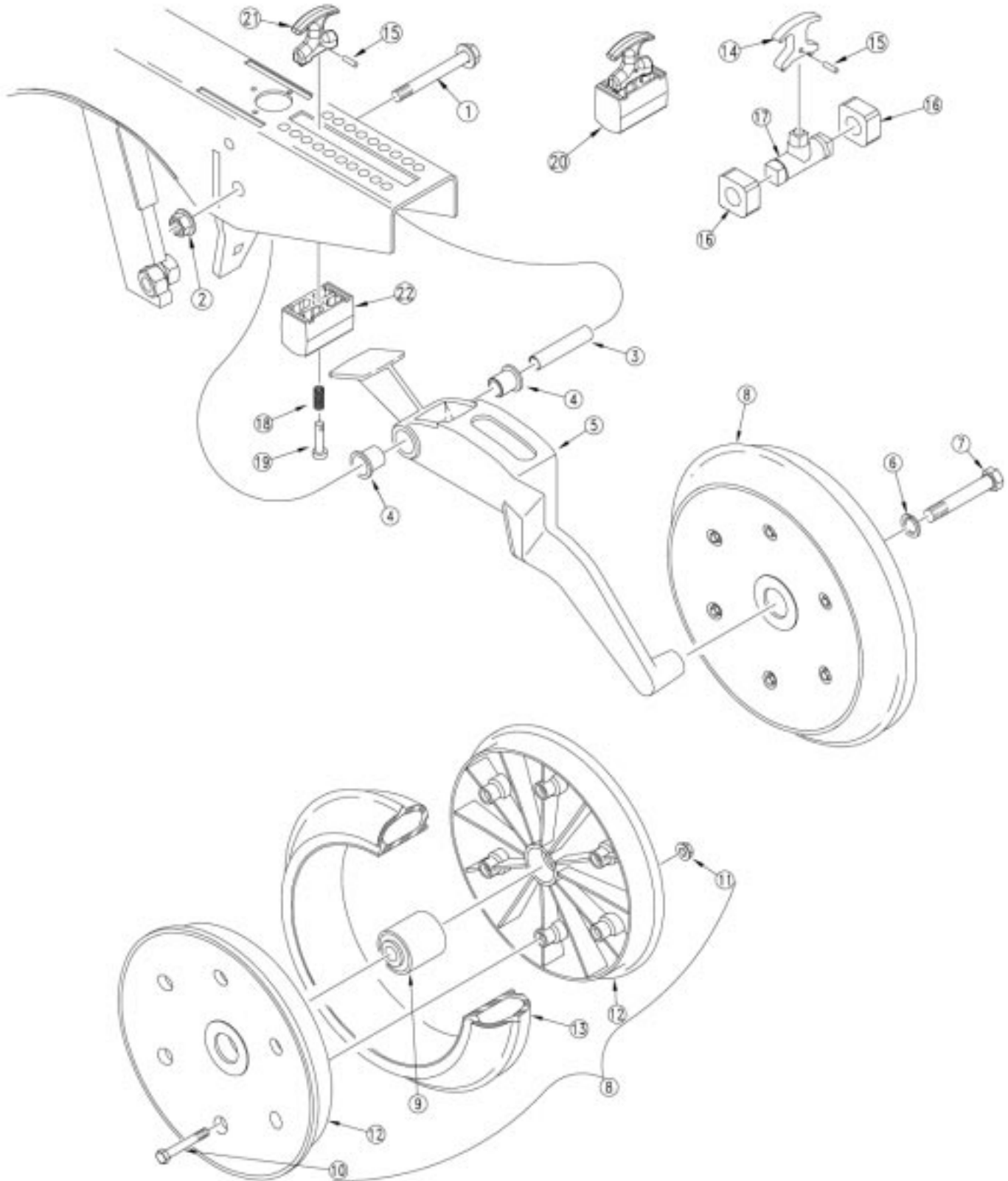


## 3" x 13" "V" Crown Press Wheel (S/N C1657- 24' Drills and S/N D1838- 30' Drills)

Ref.	Part No.	Part Description	Comments
1.	❶ 198-104D	<b>OBSOLETE REPLACED BY 817-328C</b>	See item 30.
2.	805-186C	PIN ROLL 5/32 X 5/8 PLT	
3.	802-421C	HFS 1/2-13X3 3/4 GR5 SPTHD	
4.	803-169C	NUT HEX FLG. LOCK 1/2-13 PLT.	
5.	817-132C	PRESS WHEEL ARM BUMPER	(2N2410 S/N C1811-; 2N3010 S/N D2082-) Use only with item 6.
6.	❶ 812-194C	<b>REPLACED BY 817-347C</b>	<b>(2N2410 S/N C1811-; 2N3010 S/N D2082-). See item 31.</b>
7.	807-106C	SPRING .540 O.D.X 1 1/4 X.054W	
8.	805-154C	PIN CLEVIS 3/8 X 2 1/8 USABLE	
9.	198-137D	PRESS WHEEL PIVOT TUBE	
10.	817-084C	PARALLEL ARM PIVOT BUSHING	
11.	199-025D	PRESS WHEEL ARM MACHINED	
12.	801-115C	SFHCS 1/2-13X1 W/ 3/8 SQ SOCKET	
13.	122-188H	PRESS WHEEL ARM END WMNT	
14.	122-124D	3 X 13 PRESS WHEEL SPACER	
15.	802-151C	HHCS 5/8-11X4 1/4 GR5	
16.	804-022C	WASHER LOCK SPRING 5/8 PLT	
17.	803-177C	NUT HEX LOCK 5/16-18 FLG.	
18.	122-192V	3 X 13 TIRE & RING ASSEMBLY	Includes items 27 & 28
19.	122-001D	3 BEARING HUB	
20.	822-095C	BEARING DBL LIP 203 X 5/8 BORE	
21.	122-111D	3 X 13 P.W. BRG SPACER TUBE	
22.	890-199C	3X13 P.W. BOLT SPACER	
23.	122-115D	13 PRESS WHEEL RIM HALF	
24.	802-197C	HHCS 5/16-18X2 3/4 GR5	
25.	122-116S	3 X 13 V CROWN P.W. ASSY	Includes items 17 through 24
26.	122-202S	PW ADJUSTMENT TRUNNION ASSY	Includes items 2, 7, 8, 30 and 31.
27.	814-068C	TIRE 3 X 13 PW V CROWN	
28.	817-065C	3 P.W. RIM SPACER RING	
29.	122-191V	REPLACED BY COMPONENT PARTS	
30.	❷ 817-328C	<b>T-HANDLE ASSEMBLY</b>	
31.	❷ 817-347C	<b>OPENER TRUNNION</b>	<b>(2N2410 S/N C1812+; 2N3010 S/N D2083+)</b>

Legend: ❶ = 1st revision; ❷ = 2nd revision; ❸ = 3rd revision; ● = use up existing stock; ⊗ = not interchangeable; ⊗ ❶ ❷ = for example: revision 2 is not interchangeable w/revision 1

3" x 13" "V" Crown Press Wheel (S/N C1658+ 24' Drills and S/N D1839+ 30' Drills)



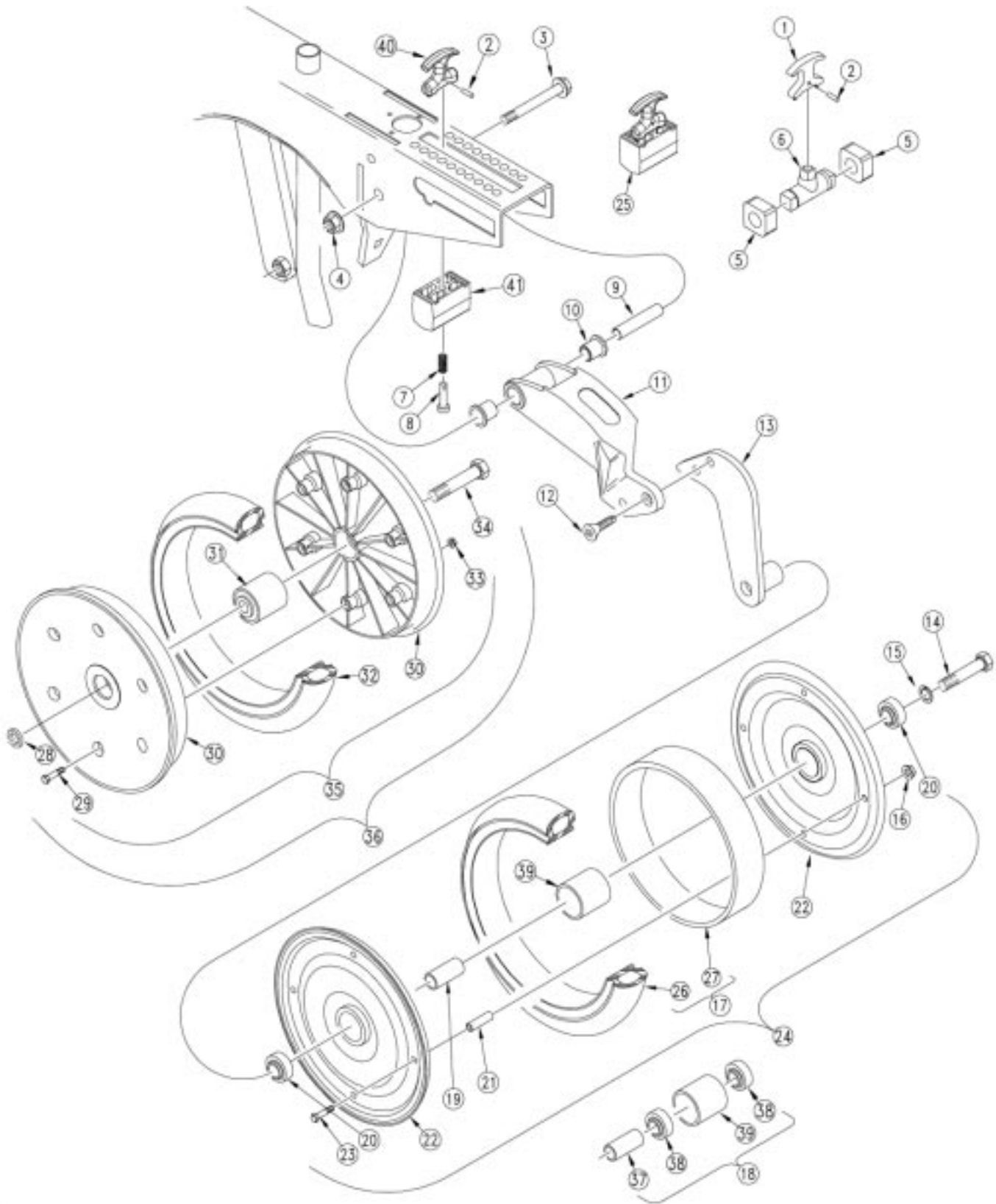
16040

**3" x 13" "V" Crown Press Wheel (S/N C1658+ 24' Drills and S/N D1839+ 30' Drills)**

Ref.	Part No.	Part Description	Comments
1.	802-421C	HFS 1/2-13X3 3/4	
2.	803-169C	NUT HEX FLG. LOCK 1/2-13 PLT.	
3.	198-137D	PRESS WHEEL PIVOT TUBE	
4.	817-084C	PARALLEL ARM PIVOT BUSHING	
5.	⊗ 199-042D	<b>UNIVERSAL PW ARM MACH 2&amp;3X13</b>	
	Ⓜ 199-029D	<b>REPLACED BY 199-042D</b>	
6.	804-022C	WASHER LOCK SPRING 5/8 PLT	
7.	802-058C	HHCS 5/8-11X2 1/2 GR5	
8.	814-158C	3 X 13 PRESS WHEEL ASSEMBLY	Includes items 9 through 13
9.	822-170C	BEARING PRESS WHEEL ASSEMBLY	
10.	802-618C	HHFS 1/4-20 X 2" GR 5	
11.	803-088C	NUT HEX LOCK 1/4-20 FLG	
12.	817-297C	3 X 13 PRESS WHEEL RIM HALF	
13.	814-160C	3 X 13 PRESS WHEEL TIRE	
14.	Ⓜ 198-104D	<b>OBSELETE REPLACED BY 817-328C</b>	See item 21.
15.	805-186C	PIN ROLL 5/32 X 5/8 PLT	
16.	817-132C	PRESS WHEEL ARM BUMPER	(2N2410 S/N C1811-; 2N3010 S/N D2082-) Use only with item 17.
17.	Ⓜ 812-194C	<b>REPLACED BY 817-347C</b>	<b>(2N2410 S/N C1811-; 2N3010 S/N D2082-). See item 22.</b>
18.	807-106C	SPRING .540 O.D.X 1 1/4 X.054W	
19.	805-154C	PIN CLEVIS 3/8 X 2 1/8 USABLE	
20.	122-202S	PW ADJUSTMENT TRUNNION ASSY	Includes items 15, 18, 19, 21 and 22.
21.	⊗ 817-328C	<b>T-HANDLE ASSEMBLY</b>	
22.	⊗ 817-347C	<b>OPENER TRUNNION</b>	<b>(2N2410 S/N C1812+; 2N3010 S/N D2083+)</b>

**Legend:** Ⓜ = 1st revision; ⊗ = 2nd revision; ⊕ = 3rd revision; ● = use up existing stock; ⊗ = not interchangeable; ⊗ ⊕ ⊗ = for example: revision 2 is not interchangeable w/revision 1

2" x 13" Smooth Crown Press Wheel (S/N C1657- 24' Drills and S/N D1838- 30' Drills)



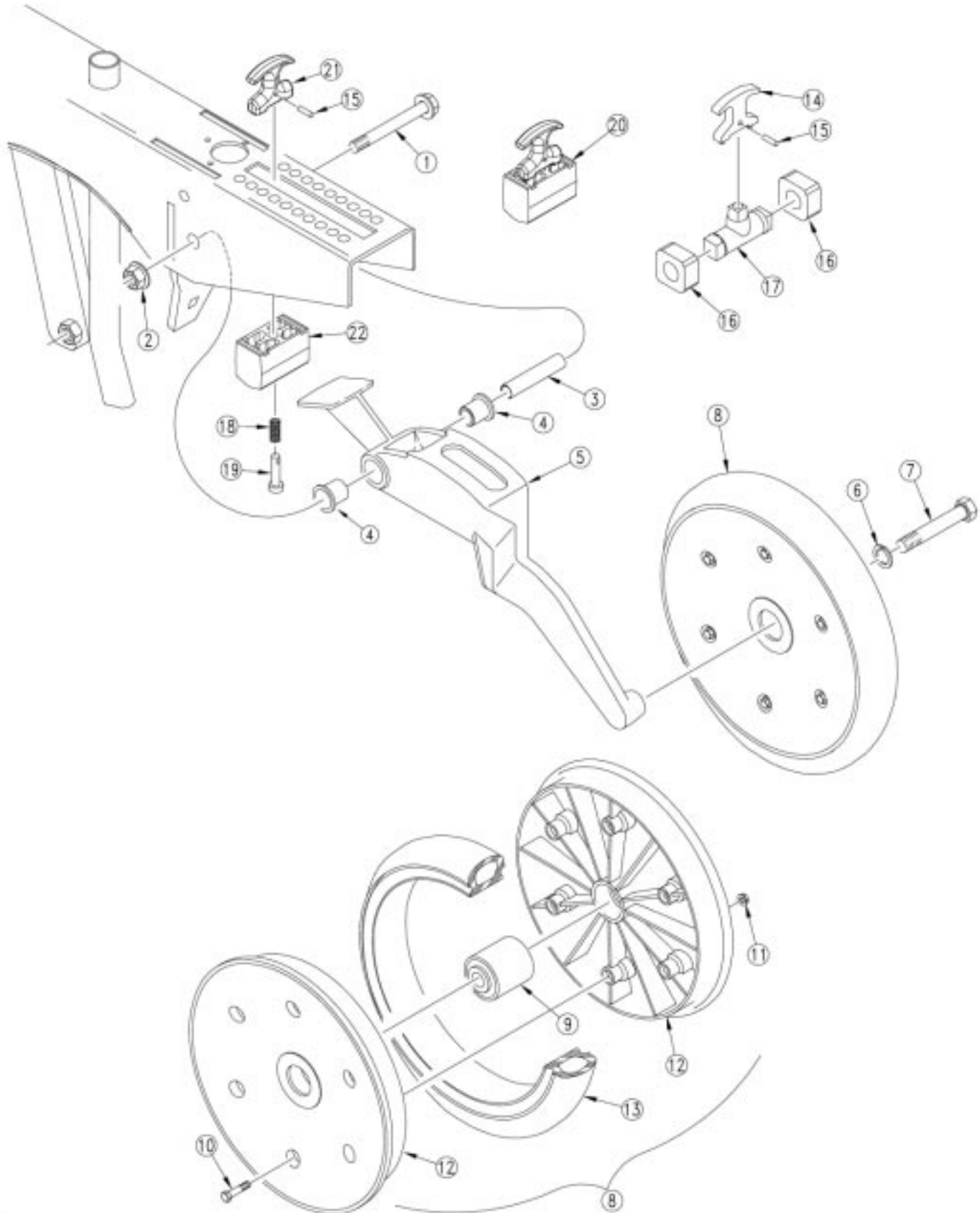
12039

**2" x 13" Smooth Crown Press Wheel (S/N C1657- 24' Drills and S/N D1838- 30' Drills)**

Ref.	Part No.	Part Description	Comments
1.	❶ 198-104D	<b>OBSOLETE REPLACED BY 817-328C</b>	See item 40.
2.	805-186C	PIN ROLL 5/32 X 5/8 PLT	
3.	802-421C	HFS 1/2-13X3 3/4	
4.	803-169C	NUT HEX FLG. LOCK 1/2-13 PLT.	
5.	817-132C	PRESS WHEEL ARM BUMPER	(2N2410 S/N C1811-; 2N3010 S/N D2082-) Use only with item 6.
6.	❶ 812-194C	<b>REPLACED BY 817-347C</b>	<b>(2N2410 S/N C1811-; 2N3010 S/N D2082-). See item 41.</b>
7.	807-106C	SPRING .540 O.D.X 1 1/4 X.054W	
8.	805-154C	PIN CLEVIS 3/8 X 2 1/8 USABLE	
9.	198-137D	PRESS WHEEL PIVOT TUBE	
10.	817-084C	PARALLEL ARM PIVOT BUSHING	
11.	199-025D	PRESS WHEEL ARM MACHINED	
12.	801-115C	SFHCS 1/2-13X1 W/ 3/8 SQ SOCKT	
13.	122-188H	PRESS WHEEL ARM END WMNT	
14.	802-059C	HHCS 5/8-11X3 GR5	
15.	804-022C	WASHER LOCK SPRING 5/8 PLT	
16.	803-177C	NUT HEX LOCK 5/16-18 FLG.	
17.	122-189V	2 X 13 TIRE & RING ASSEMBLY	Includes items 26 & 27
18.	122-190V	REPLACED BY COMPONENT PARTS	
19.	122-114D	2 X 13 PW BRG. SPACER TUBE	
20.	822-095C	BEARING FAFNIR 203 X 5/8 BORE	
21.	890-198C	2X13 P.W. BOLT SPACER	
22.	122-115D	13" PRESS WHEEL RIM HALF	
23.	802-013C	HHCS 5/16-18X1 3/4 GR5	
24.	122-115S	2 X 13 SMOOTH CROWN P.W. ASSY	Includes items 16 through 22 & 32
25.	122-202S	PW ADJUSTMENT TRUNNION ASSY	Includes items 2, 7, 8, 40 and 41.
26.	814-069C	TIRE 2 X 13 P. W. CROWN	
27.	817-067C	2" P.W. RIM SPACER RING	
28.	122-158D	2 X 13 ACE PRESS WHEEL SPACER	
29.	802-617C	HHFS 1/4-20 X 1 1/2 GR 5	
30.	817-296C	2 X 13 PRESS WHEEL RIM HALF	
31.	822-170C	BEARING PRESS WHEEL ASSEMBLY	
32.	814-159C	2 X 13 PRESS WHEEL TIRE	
33.	803-088C	NUT HEX LOCK 1/4-20 FLG	
34.	802-058C	HHCS 5/8-11X2 1/2 GR5	
35.	814-157C	2 X 13 PRESS WHEEL ASSEMBLY	
36.	122-233A	PLASTIC 2X13 PW FIELD ASSY	
37.	122-114D	2 X 13 PW BRG. SPACER TUBE	
38.	822-095C	BEARING DBL LIP 203 X 5/8 BORE	
39.	122-002D	2 BEARING HUB	
40.	⊗ 817-328C	<b>T-HANDLE ASSEMBLY</b>	
41.	⊗ 817-347C	<b>OPENER TRUNION</b>	<b>(2N2410 S/N C1812+; 2N3010 S/N D2083+)</b>

**Legend:** ❶ = 1st revision; ❷ = 2nd revision; ❸ = 3rd revision; ● = use up existing stock; ⊗ = not interchangeable; ⊗ ❶ = for example: revision 2 is not interchangeable w/revision 1

2" x 13" Smooth Crown Press Wheel (S/N C1658+ 24' Drills and S/N D1839+ 30' Drills)



16041

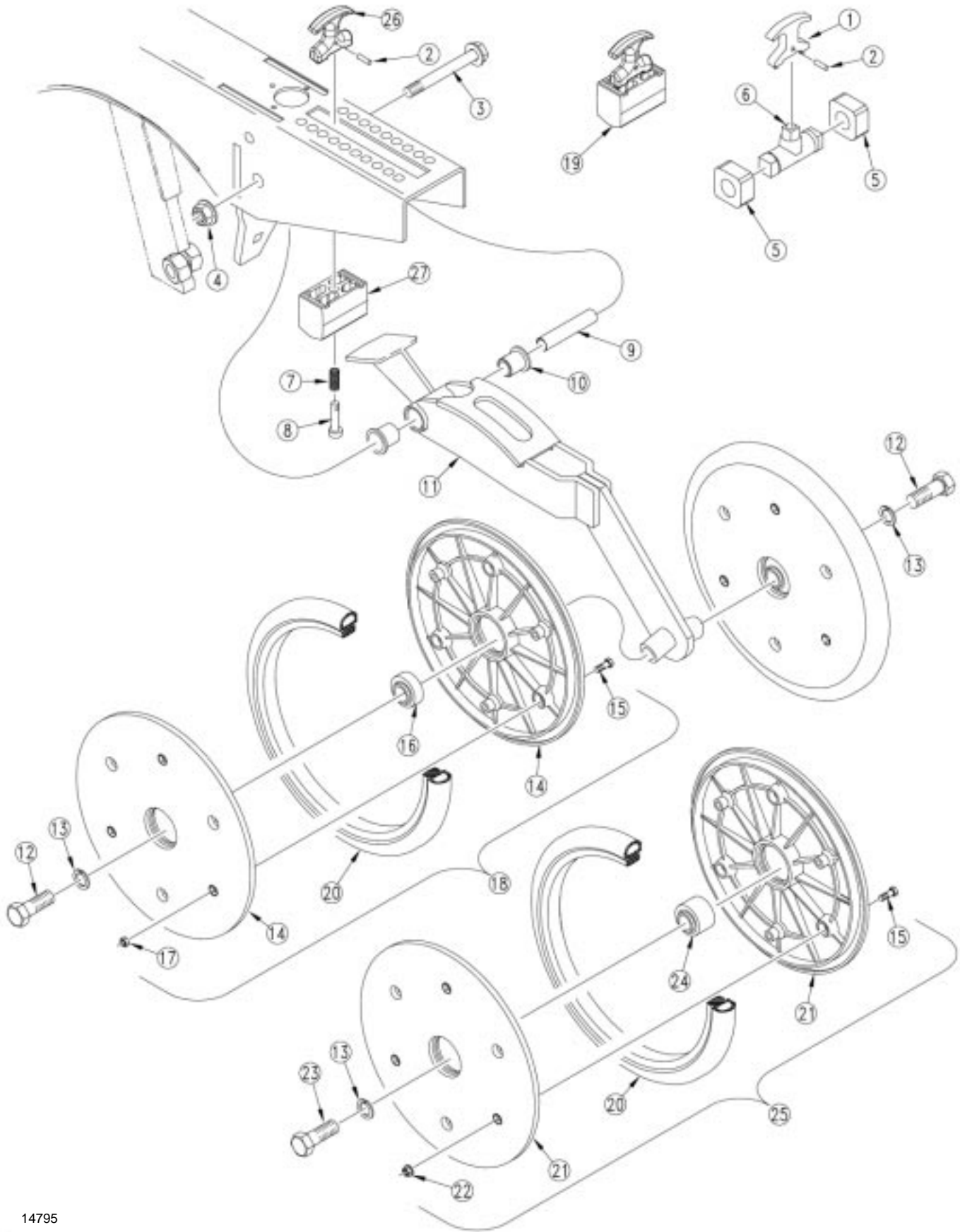
**2" x 13" Smooth Crown Press Wheel (S/N C1658+ 24' Drills and S/N D1839+ 30' Drills)**

Ref.	Part No.	Part Description	Comments
1.	802-421C	HFS 1/2-13X3 3/4	
2.	803-169C	NUT HEX FLG. LOCK 1/2-13 PLT.	
3.	198-137D	PRESS WHEEL PIVOT TUBE	
4.	817-084C	PARALLEL ARM PIVOT BUSHING	
5.	⊗ 199-042D	<b>UNIVERSAL PW ARM MACH 2&amp;3X13</b>	
	Ⓢ 199-028D	<b>REPLACED BY 199-042D</b>	See item 21.
6.	804-022C	WASHER LOCK SPRING 5/8 PLT	
7.	802-058C	HHCS 5/8-11X2 1/2 GR5	
8.	814-157C	2 X 13 PRESS WHEEL ASSEMBLY	Includes items 9 through 13
9.	822-170C	BEARING PRESS WHEEL ASSEMBLY	
10.	802-617C	HHFS 1/4-20 X 1 1/2 GR 5	
11.	803-088C	NUT HEX LOCK 1/4-20 FLG	
12.	817-296C	2 X 13 PRESS WHEEL RIM HALF	
13.	814-159C	2 X 13 PRESS WHEEL TIRE	
14.	Ⓢ 198-104D	<b>OBSOLETE REPLACED BY 817-328C</b>	
15.	805-186C	PIN ROLL 5/32 X 5/8 PLT	
16.	817-132C	PRESS WHEEL ARM BUMPER	(2N2410 S/N C1811-; 2N3010 S/N D2082-) Use only with item 17.
17.	Ⓢ 812-194C	<b>REPLACED BY 817-347C</b>	<b>(2N2410 S/N C1811-; 2N3010 S/N D2082-). See item 22.</b>
18.	807-106C	SPRING .540 O.D.X 1 1/4 X.054W	
19.	805-154C	PIN CLEVIS 3/8 X 2 1/8 USABLE	
20.	122-202S	PW ADJUSTMENT TRUNNION ASSY	Includes items 15, 18, 19, 21 and 22.
21.	⊗ 817-328C	<b>T-HANDLE ASSEMBLY</b>	
22.	⊗ 817-347C	<b>OPENER TRUNNION</b>	<b>(2N2410 S/N C1812+; 2N3010 S/N D2083+)</b>

**Legend:** Ⓢ = 1st revision; ⊗ = 2nd revision; ⊕ = 3rd revision; ● = use up existing stock; ⊗ = not interchangeable; ⊗ ⊕ ⊗ = for example: revision 2 is not interchangeable w/revision 1



**1" x 12" Double Press Wheel**



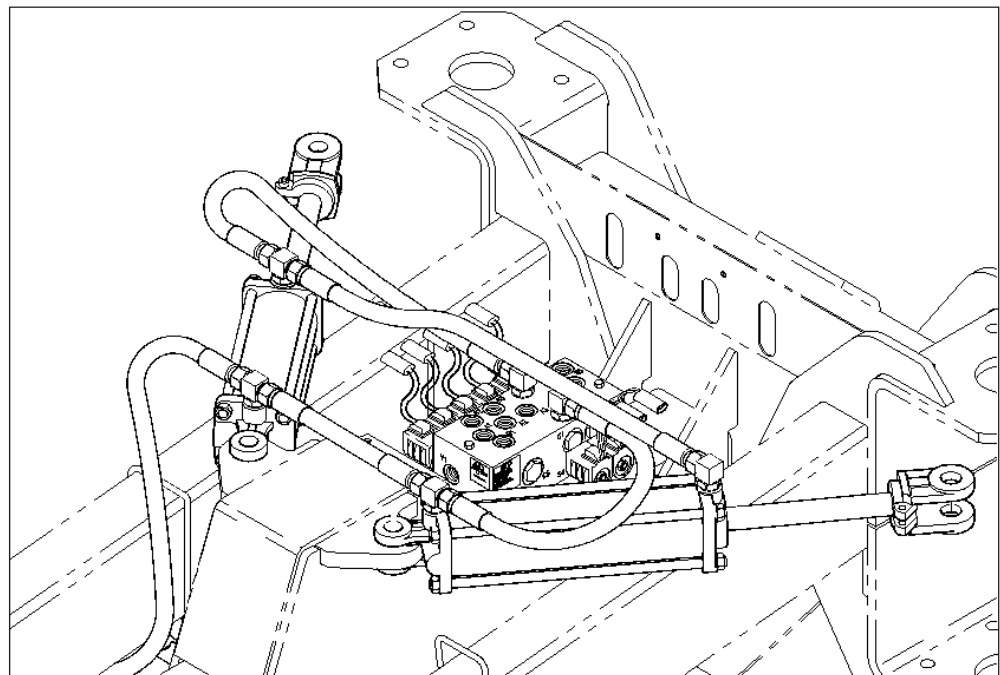
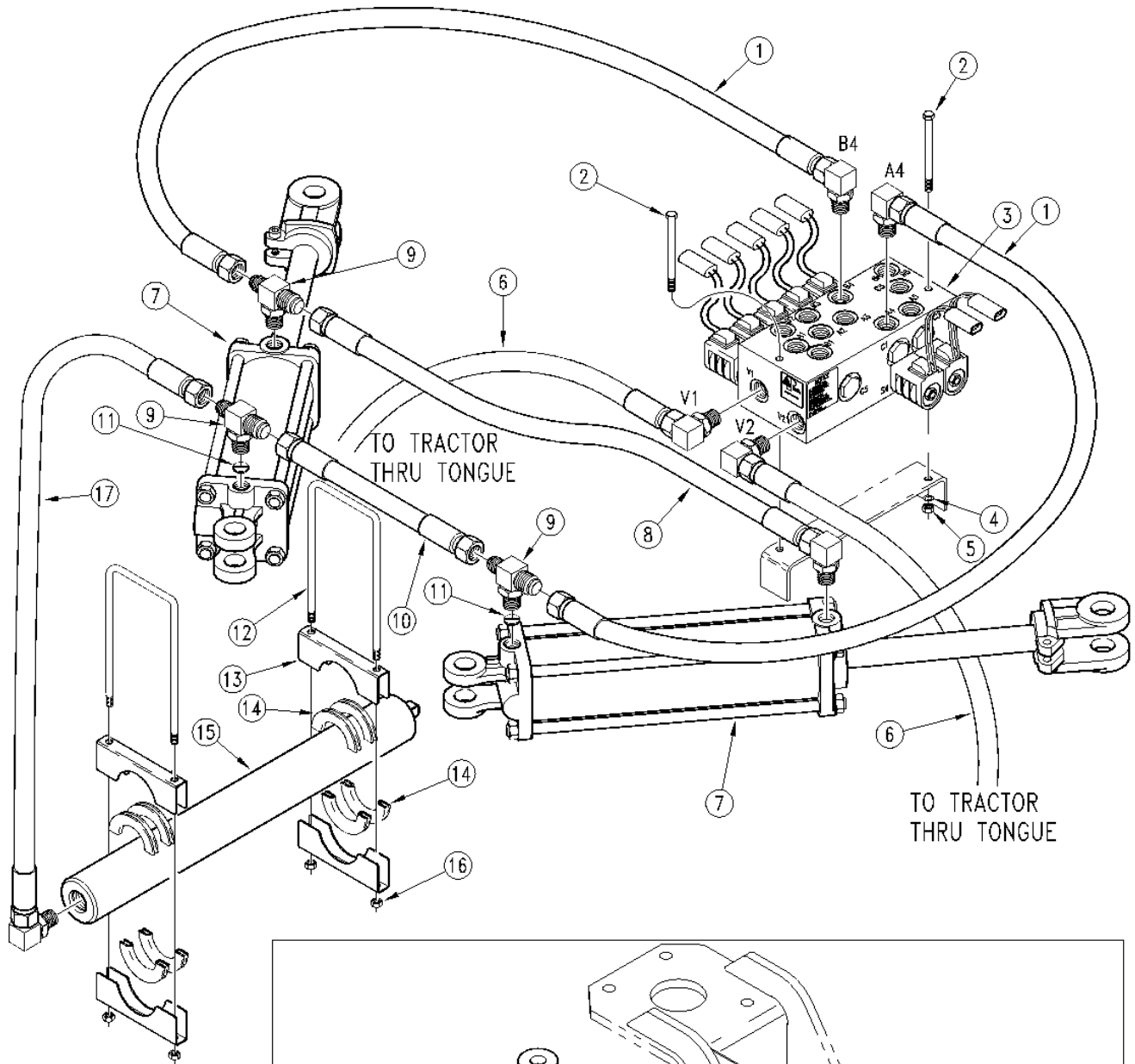
14795

**1" x 12" Double Press Wheel**

Ref.	Part No.	Part Description	Comments
1.	❶ 198-104D	<b>OBSOLETE REPLACED BY 817-328C</b>	See item 26.
2.	805-186C	PIN ROLL 5/32 X 5/8 PLT	
3.	802-421C	HFS 1/2-13X3 3/4 GR5 SPTHD	
4.	803-169C	NUT HEX FLG. LOCK 1/2-13 PLT.	
5.	817-132C	PRESS WHEEL ARM BUMPER	(2N2410 S/N C1811-; 2N3010 S/N D2082-) Use only with item 6.
6.	❶ 812-194C	<b>REPLACED BY 817-347C</b>	<b>(2N2410 S/N C1811-; 2N3010 S/N D2082-). See item 27.</b>
7.	807-106C	SPRING .540 O.D.X 1 1/4 X.054W	
8.	805-154C	PIN CLEVIS 3/8 X 2 1/8 USABLE	
9.	198-137D	PRESS WHEEL PIVOT TUBE	
10.	817-084C	PARALLEL ARM PIVOT BUSHING	
11.	⊗ ② ❸ 199-022H	<b>98 1X12 PRESS WHEEL WELDMENT</b>	<b>9/1/97+. Use with item 25.</b>
	⊗ ① ❷ 199-020H	<b>1 X 12 PRESS WHEEL WELDMENT</b>	<b>(24' Drills S/N C1658 + &amp; 30' Drills S/N D1839 +)</b>
	❶ 199-017H	<b>95 1 X 12 DBL V PW WELDMENT</b>	<b>(24' Drills S/N C1657 - &amp; 30' Drills S/N D1838 -)</b>
12.	802-051C	HHCS 5/8-11X1 1/2 GR5	
13.	804-022C	WASHER LOCK SPRING 5/8 PLT	
14.	817-081C	1 X 12 MOLDED PRESS WHEEL RIM	
15.	802-005C	HHCS 1/4-20X1 GR5	
16.	188-001V	BEARING AA205DD	
17.	803-007C	NUT LOCK 1/4-20 PLT	
18.	❷ 814-143C	<b>1 X 12 GP PRESS WHEEL ASSEMBLY</b>	<b>8/31/97-. Includes items 14 through 17 and 20</b>
	● ❶ 122-136S	<b>OBSOLETE REPLACED BY 814-143C</b>	<b>Includes items 14 through 17 and 20</b>
19.	122-202S	PW ADJUSTMENT TRUNNION ASSY	
20.	814-034C	TIRE RUBBER 1 X 12	Includes items 2, 7, 8, 26 and 27.
21.	817-330C	1 X 12 PRESS WHEEL RIM HALF	
22.	803-088C	NUT HEX LOCK 1/4-20 FLG	
23.	802-058C	HHCS 5/8-11X2 1/2 GR5	
24.	822-170C	BEARING PRESS WHEEL ASSEMBLY	
25.	814-174C	1 X 12 PRESS WHL ASSY-5203BRG	9/1/97+. Includes items 13, 15, & 20 thru 24.
26.	❷ 817-328C	<b>T-HANDLE ASSEMBLY</b>	
27.	❷ 817-347C	<b>OPENER TRUNION</b>	<b>(2N2410 S/N C1812+; 2N3010 S/N D2083+)</b>

**Legend:** ❶ = 1st revision; ❷ = 2nd revision; ❸ = 3rd revision; ● = use up existing stock; ⊗ = not interchangeable; ⊗ ① ❷ = for example: revision 2 is not interchangeable w/revision 1

Fold Hydraulics (S/N C1692- 24' Drills S/N D1904- 30' Drills)



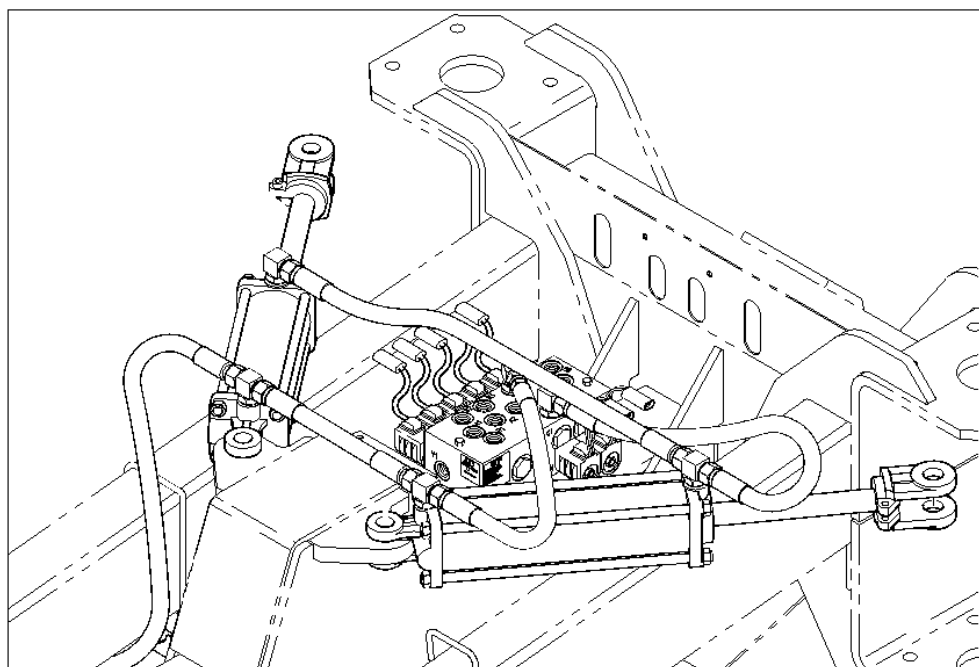
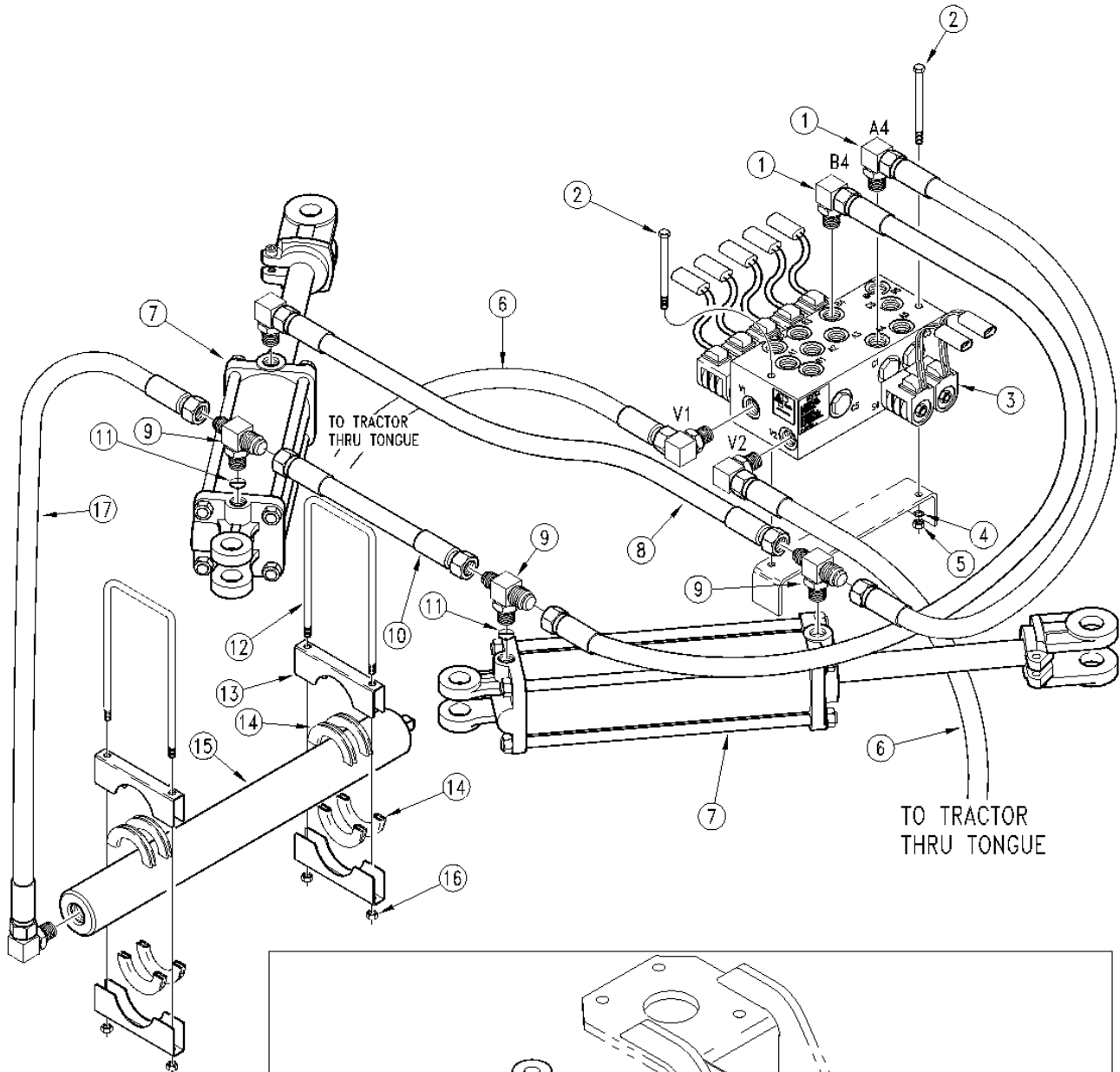
12815

**Fold Hydraulics (S/N C1692- 24' Drills S/N D1904- 30' Drills)**

Ref.	Part No.	Part Description	Comments
1.	811-465C	HH3/8R2 026 9/16FJIC 3/4MORB90	
2.	802-474C	HHCS 5/16-18X4 1/2 GR5	
3.	810-237C	VALVE MANIFOLD, ELEC-5 SYSTEM	Refer to page 9-59 for breakdown.
4.	804-009C	WASHER LOCK SPRING 5/16 PLT	
5.	803-008C	NUT HEX 5/16-18 PLT	
6.	811-454C	HH1/2R2 375 1/2MNPT 3/4MORB90	For 30' Drill
	811-467C	HH1/2R2 340 1/2MNPT 3/4MORB90	For 24' Drill
7.	810-219C	CYL 3.5X16X2 ROD (TIE ROD)	Refer to page 9-41 for breakdown.
	810-240C	CYL 4X16X2 ROD (TIE ROD)	Refer to page 9-43 for breakdown.
8.	811-464C	HH3/8R2 044 9/16FJIC 3/4MORB90	
9.	811-470C	TE 9/16MJIC 3/4MORB 9/16MJIC	
10.	811-463C	HH3/8R2 015 9/16FJIC 9/16FJIC	
11.	811-172C	ORPL 1/16 3/4	
12.	806-115C	U-BOLT 5/16-18X4 1/32X12 1/4	
13.	196-358D	ACCUMULATOR CLAMP	
14.	816-004C	VINYL SEAL 3/8 X 1/2/FT	
15.	831-008C	3000 PS1 PISTON ACC-1100 PSI	
16.	803-084C	NUT HEX NYLOCK 5/16-18 PLT	
17.	811-466C	HH3/8R2 032 9/16FJIC 3/4MORB90	

**Legend:** ● = 1st revision; ● = 2nd revision; ● = 3rd revision; ● = use up existing stock; ⊗ = not interchangeable; ⊗ ① ● = for example: revision 2 is not interchangeable w/revision 1

Fold Hydraulics (S/N C1693+ 24' Drills S/N D1905+ 30' Drills)



16057

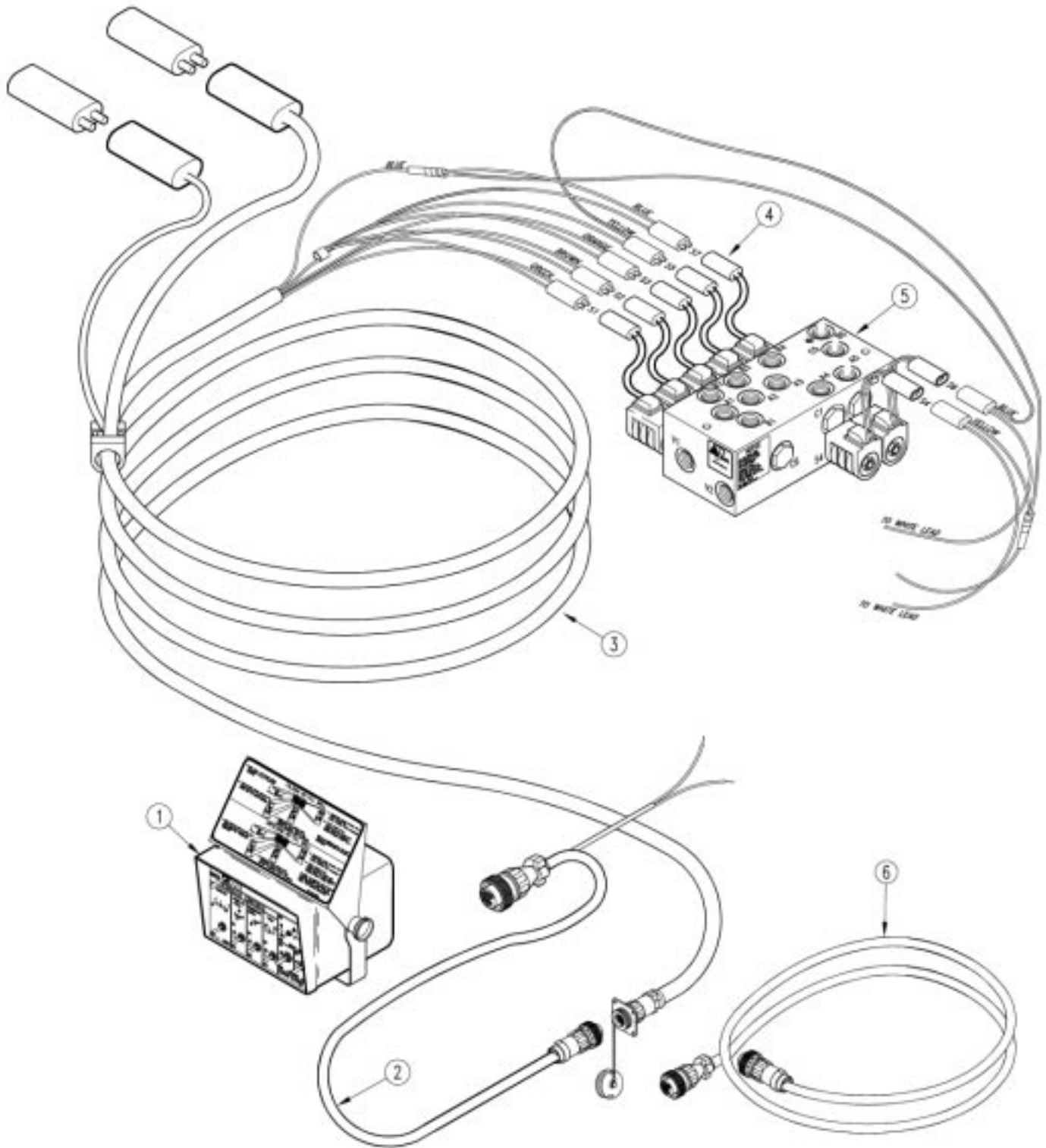
**Fold Hydraulics (S/N C1693+ 24' Drills S/N D1905+ 30' Drills)**

Ref.	Part No.	Part Description	Comments
1.	811-465C	HH3/8R2 026 9/16FJIC 3/4MORB90	
2.	802-474C	HHCS 5/16-18X4 1/2 GR5	
3.	810-237C	VALVE MANIFOLD, ELEC-5 SYSTEM	Refer to page 9-59 for breakdown.
4.	804-009C	WASHER LOCK SPRING 5/16 PLT	
5.	803-008C	NUT HEX 5/16-18 PLT	
6.	811-454C	HH1/2R2 375 1/2MNPT 3/4MORB90	For 30' Drill
	811-467C	HH1/2R2 340 1/2MNPT 3/4MORB90	For 24' Drill
7.	810-219C	CYL 3.5X16X2 ROD (TIE ROD)	Refer to page 9-41 for breakdown.
	810-240C	CYL 4X16X2 ROD (TIE ROD)	Refer to page 9-43 for breakdown.
8.	811-464C	HH3/8R2 044 9/16FJIC 3/4MORB90	
9.	811-470C	TE 9/16MJIC 3/4MORB 9/16MJIC	
10.	811-463C	HH3/8R2 015 9/16FJIC 9/16FJIC	
11.	811-172C	ORPL 1/16 3/4	
12.	806-115C	U-BOLT 5/16-18X4 1/32X12 1/4	
13.	196-358D	ACCUMULATOR CLAMP	
14.	816-004C	VINYL SEAL 3/8 X 1/2/FT	
15.	831-008C	3000 PS1 PISTON ACC-1100 PSI	
16.	803-084C	NUT HEX NYLOCK 5/16-18 PLT	
17.	811-466C	HH3/8R2 032 9/16FJIC 3/4MORB90	

**Legend:** ● = 1st revision; ● = 2nd revision; ● = 3rd revision; ● = use up existing stock; ⊗ = not interchangeable; ⊗ ① ● = for example: revision 2 is not interchangeable w/revision 1



*Hydraulic Controls*



12821

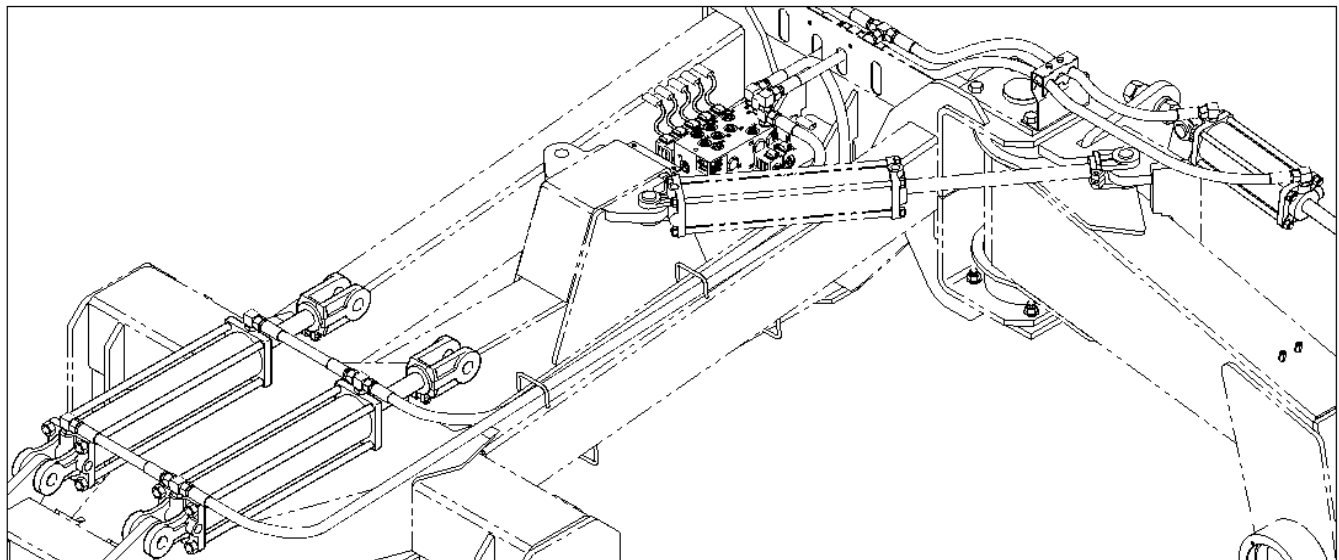
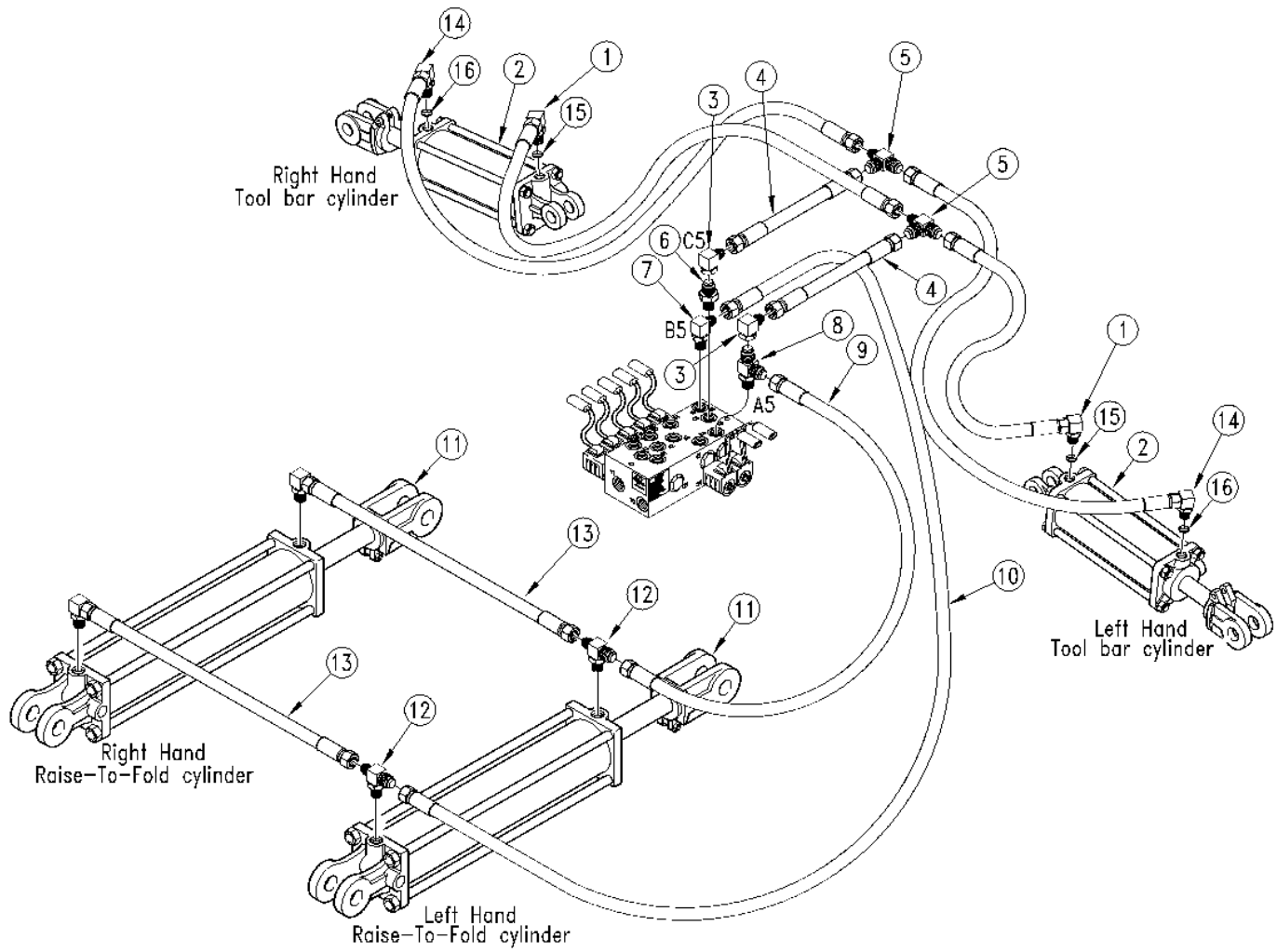


**Hydraulic Controls**

Ref.	Part No.	Part Description	Comments
1.	196-165A	2SNT HYD FLOW CON CONSOLE ASSY	
2.	823-117C	2SNT CONSOLE CABLE	
3.	823-118C	2SNT IMPLEMENT HARNESS	
4.	⊗ 833-066C	<b>PACKARD WEATHERPK 2-PIN SHROUD</b>	
	● ① 12010973	<b>OBSOLETE REPLACED BY 833-066C</b>	
5.	810-237C	VALVE MANIFOLD, ELEC-5 SYSTEM	Refer to page 9-59 for breakdown.
6.	823-139C	2SNT CONSOLE CABLE EXTENSION	

**Legend:** ● = 1st revision; ⊗ = 2nd revision; ⊕ = 3rd revision; ● = use up existing stock; ⊗ = not interchangeable; ⊗ ① ⊗ = for example: revision 2 is not interchangeable w/revision 1

Raise-To-Fold Hydraulics (S/N C1692- 24' Drills S/N D1904- 30' Drills)



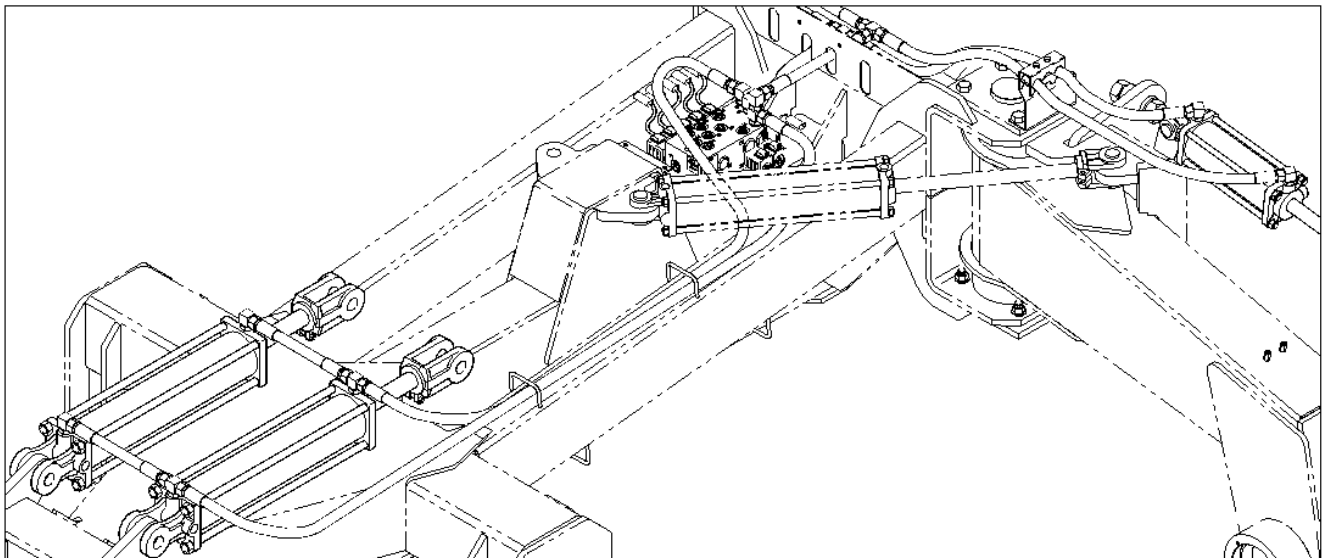
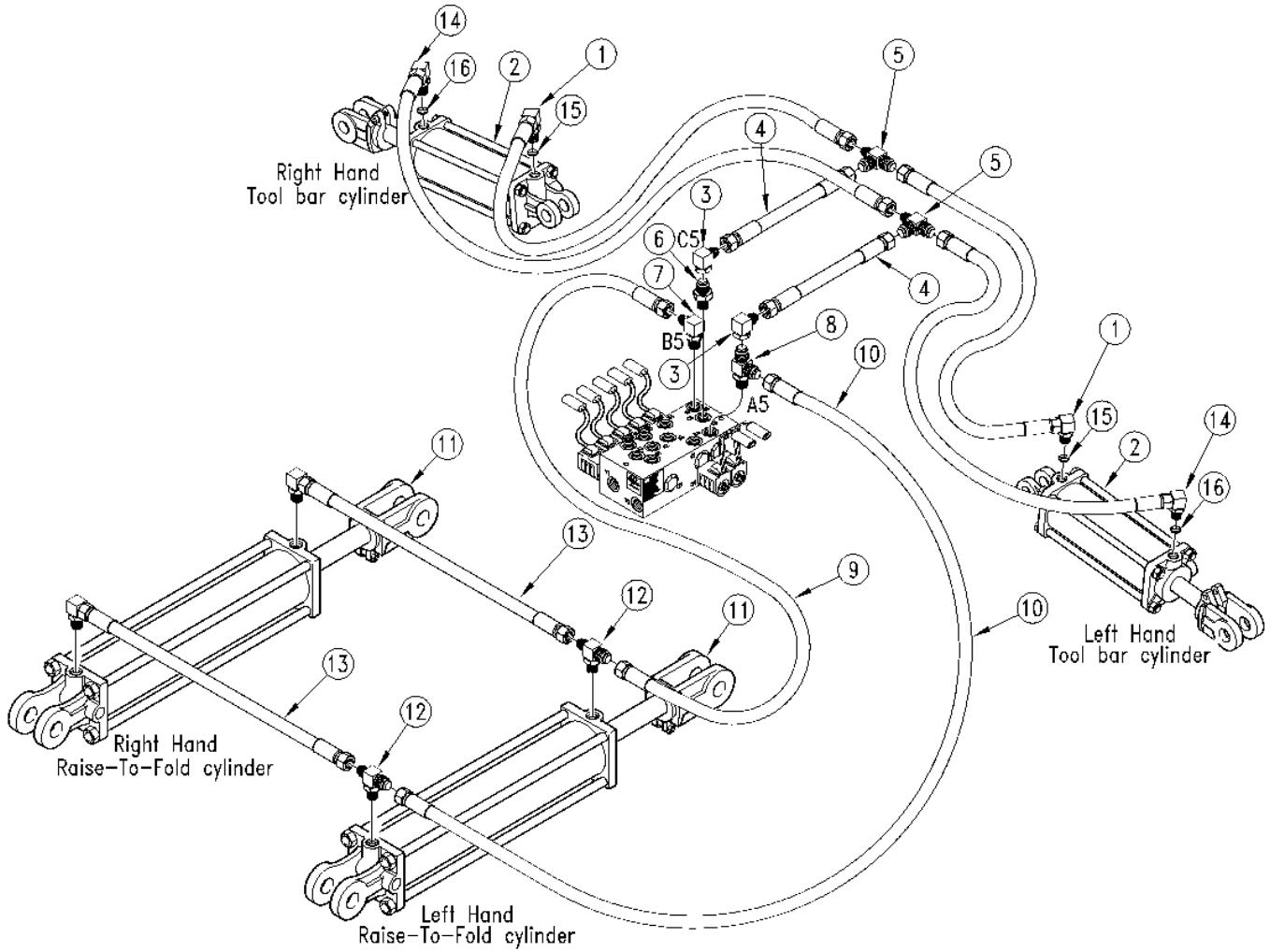
14460

**Raise-To-Fold Hydraulics (S/N C1692- 24' Drills S/N D1904- 30' Drills)**

Ref.	Part No.	Part Description	Comments
1.	811-461C	HH1/2R2 048 3/4FJIC 3/4MORB90	
2.	810-217C	CYL 3.5X8X1.5 ROD (TIE ROD)	Refer to page 9-49 for breakdown.
	810-220C	CYL 4 1/4X8X1.5 ROD (TIE ROD)	Refer to page 9-51 for breakdown.
3.	811-150C	EL 3/4FJIC 3/4MJIC	
4.	811-431C	HH1/2R2 011 3/4FJIC	
5.	811-078C	TE 3/4MJIC	
6.	811-088C	AD 3/4MORB 3/4MJIC	
7.	811-063C	EL 3/4MJIC 3/4MORB	
8.	811-080C	TE 3/4MJIC 3/4MORB 3/4MJIC	
9.	811-459C	HH1/2R2 078 3/4FJIC 3/4FJIC	
10.	811-485C	HH1/2R2 100 3/4FJIC 3/4FJIC	
11.	810-215C	CYL 4.5X16X1.5 ROD (TIE ROD)	Refer to page 9-47 for breakdown.
	810-216C	CYL 4X16X1.5 ROD (TIE ROD)	Refer to page 9-45 for breakdown.
12.	811-077C	TE 3/4MORB 3/4MJIC 3/4MJIC	
13.	811-460C	HH1/2R2 014 3/4FJIC 3/4MORB90	
14.	811-462C	HH1/2R2 062 3/4FJIC 3/4MORB90	
15.	811-490C	ORIFICE PLATE 3/32 8 MORB	
16.	811-172C	ORPL 1/16 3/4	

**Legend:** ● = 1st revision; ● = 2nd revision; ● = 3rd revision; ● = use up existing stock; ⊗ = not interchangeable; ⊗ ① ● = for example: revision 2 is not interchangeable w/revision 1

**Raise-To-Fold Hydraulics (S/N C1693+ 24' Drills S/N D1905+ 30' Drills)**



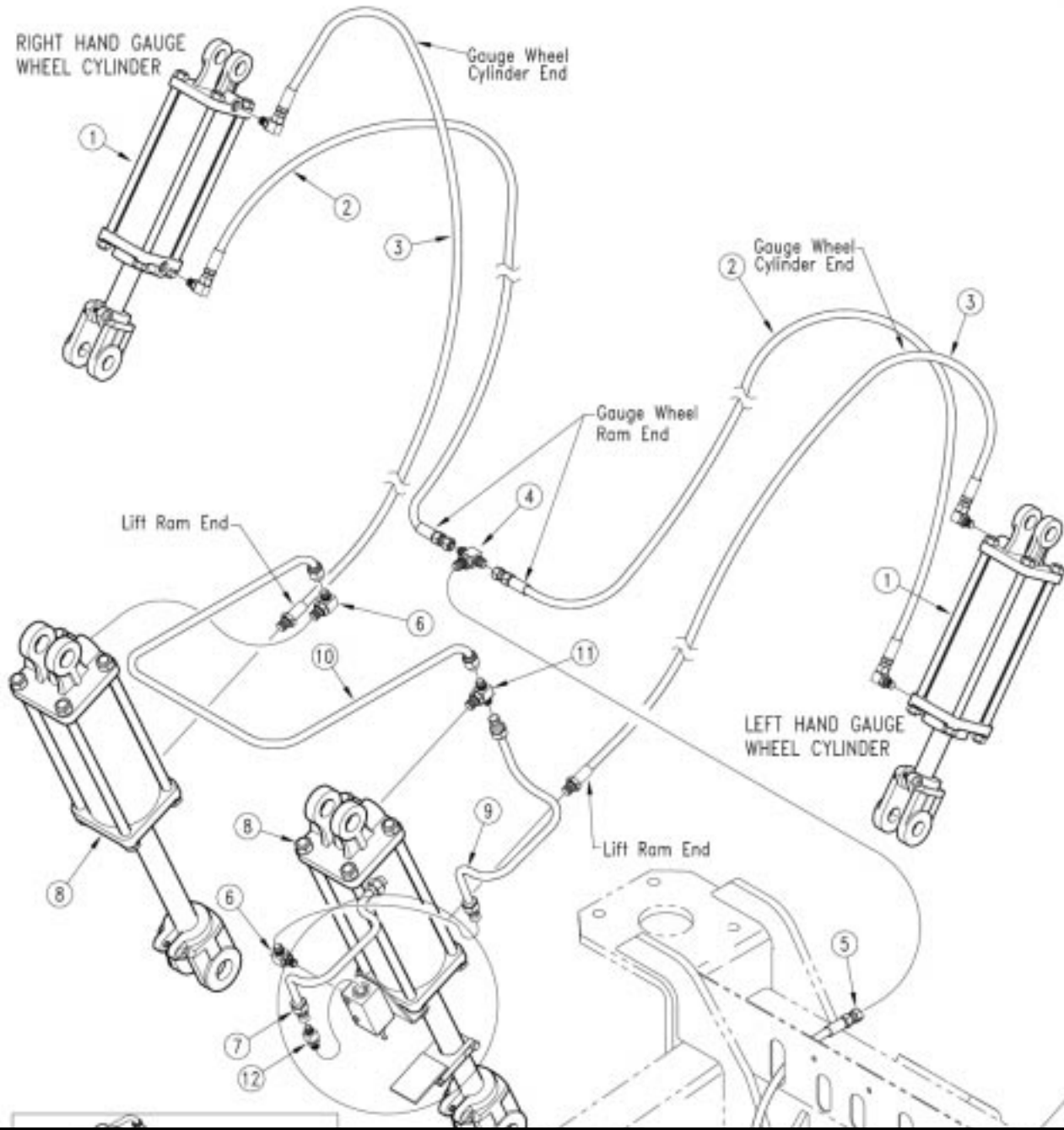
16062

**Raise-To-Fold Hydraulics (S/N C1693+ 24' Drills S/N D1905+ 30' Drills)**

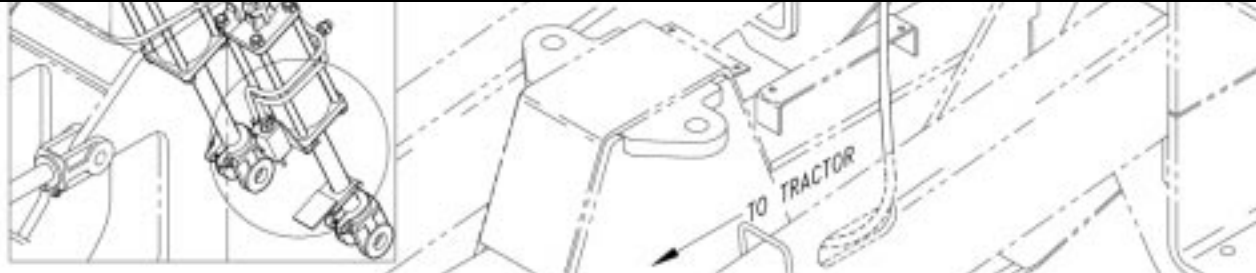
Ref.	Part No.	Part Description	Comments
1.	811-461C	HH1/2R2 048 3/4FJIC 3/4MORB90	
2.	810-217C	CYL 3.5X8X1.5 ROD (TIE ROD)	Refer to page 9-49 for breakdown.
	810-220C	CYL 4 1/4X8X1.5 ROD (TIE ROD)	Refer to page 9-51 for breakdown.
3.	811-150C	EL 3/4FJIC 3/4MJIC	
4.	811-431C	HH1/2R2 011 3/4FJIC	
5.	811-078C	TE 3/4MJIC	
6.	811-088C	AD 3/4MORB 3/4MJIC	
7.	811-063C	EL 3/4MJIC 3/4MORB	
8.	811-080C	TE 3/4MJIC 3/4MORB 3/4MJIC	
9.	811-459C	HH1/2R2 078 3/4FJIC 3/4FJIC	
10.	811-485C	HH1/2R2 100 3/4FJIC 3/4FJIC	
11.	810-215C	CYL 4.5X16X1.5 ROD (TIE ROD)	Refer to page 9-47 for breakdown.
	810-216C	CYL 4X16X1.5 ROD (TIE ROD)	Refer to page 9-45 for breakdown.
12.	811-077C	TE 3/4MORB 3/4MJIC 3/4MJIC	
13.	811-460C	HH1/2R2 014 3/4FJIC 3/4MORB90	
14.	811-462C	HH1/2R2 062 3/4FJIC 3/4MORB90	
15.	811-490C	ORIFICE PLATE 3/32 8 MORB	
16.	811-172C	ORPL 1/16 3/4	

**Legend:** ● = 1st revision; ● = 2nd revision; ● = 3rd revision; ● = use up existing stock; ⊗ = not interchangeable; ⊗ ① ● = for example: revision 2 is not interchangeable w/revision 1

**Transport Axle and Gauge Wheel Hydraulics**



*This Depth Stop has been updated with a Depth Stop Field Update. Refer to page 9-17 and page 9-23. See your Great Plains Dealer for a complete Depth Stop Update.*



14492

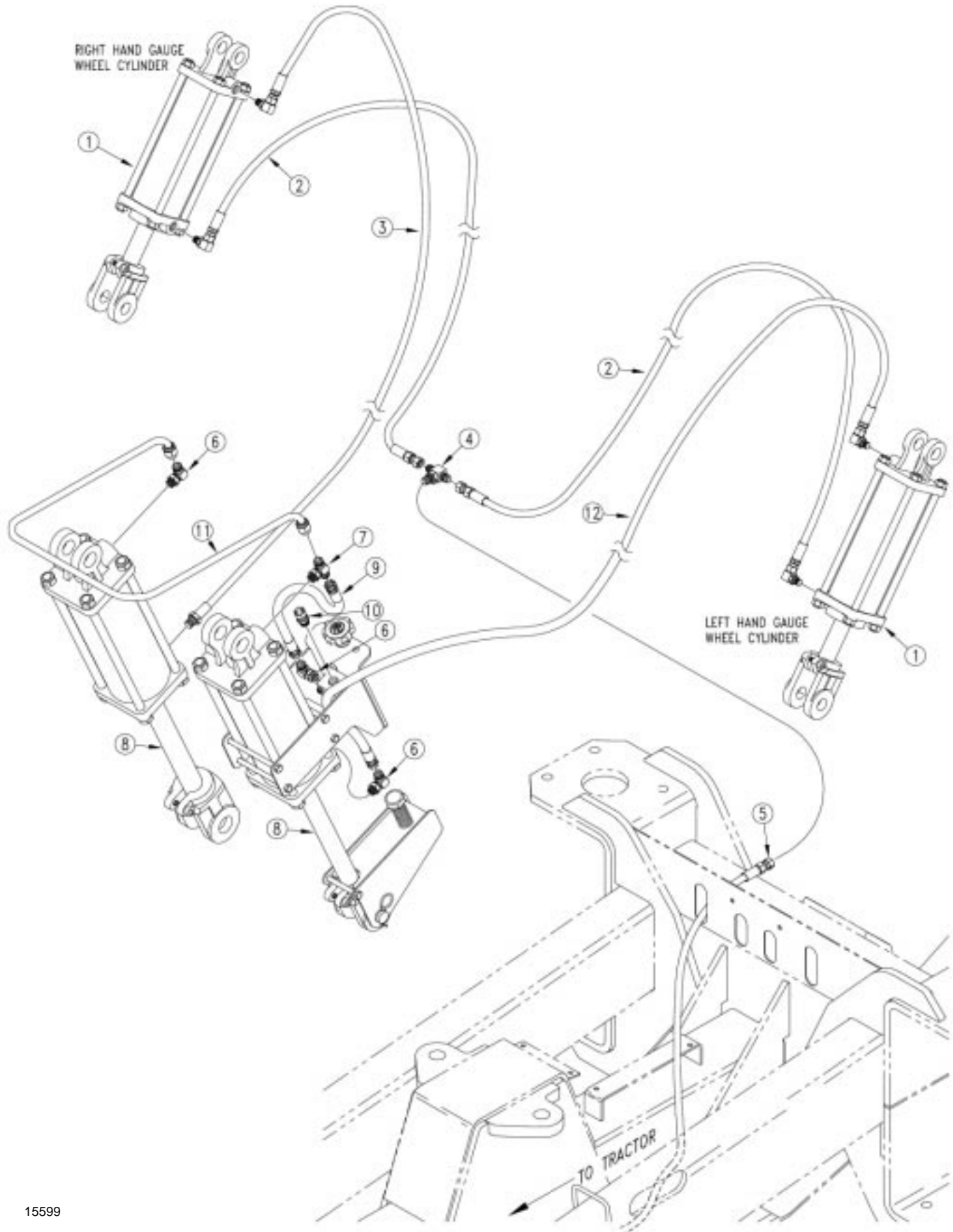
**Transport Axle and Gauge Wheel Hydraulics**

Ref.	Part No.	Part Description	Comments
1.	810-123C 810-222C	CYL REP 4.25X12X1.5ROD(TIE)1PN CYL REP 4X12X1.37 ROD (TIE)	Refer to page 9-39 for breakdown. Refer to page 9-35 for breakdown.
2.	811-455C 811-468C	HH1/2R2 218 3/4FJIC 3/4MORB90 HH1/2R2 185 3/4FJIC 3/4MORB90	
3.	811-456C 811-469C	HH1/2R2 232 3/4MORB 3/4MORB90 HH1/2R2 200 3/4MORB 3/4MORB90	
4.	811-078C	TE 3/4MJIC	
5.	811-482C 811-484C	HH1/2R2 400 1/2MNPT 3/4FJIC HH1/2R2 365 1/2MNPT 3/4FJIC	
6.	811-063C	EL 3/4MJIC 3/4MORB	
7.	811-399C	STOP VALVE FEED TUBE	
8.	810-218C 810-221C	CYL REP 4.5X12X1.5 ROD (TIE) CYL REP 4.25X12X1.5 ROD (TIE)	Refer to page 9-31 for breakdown. Refer to page 9-27 for breakdown.
9.	811-398C	STOP VALVE JUMPER TUBE	
10.	811-400C	TRANSPORT CYLINDER JUMPER TUBE	
11.	811-077C	TE 3/4MORB 3/4MJIC 3/4MJIC	
12.	811-088C	AD 3/4MORB 3/4MJIC	

**Legend:** ● = 1st revision; ● = 2nd revision; ● = 3rd revision; ● = use up existing stock; ⊗ = not interchangeable; ⊗ ① ● = for example: revision 2 is not interchangeable w/revision 1



**Transport Axle and Gauge Wheel Hydraulics (S/N C1692- 24' Drills S/N D1904- 30' Drills)**



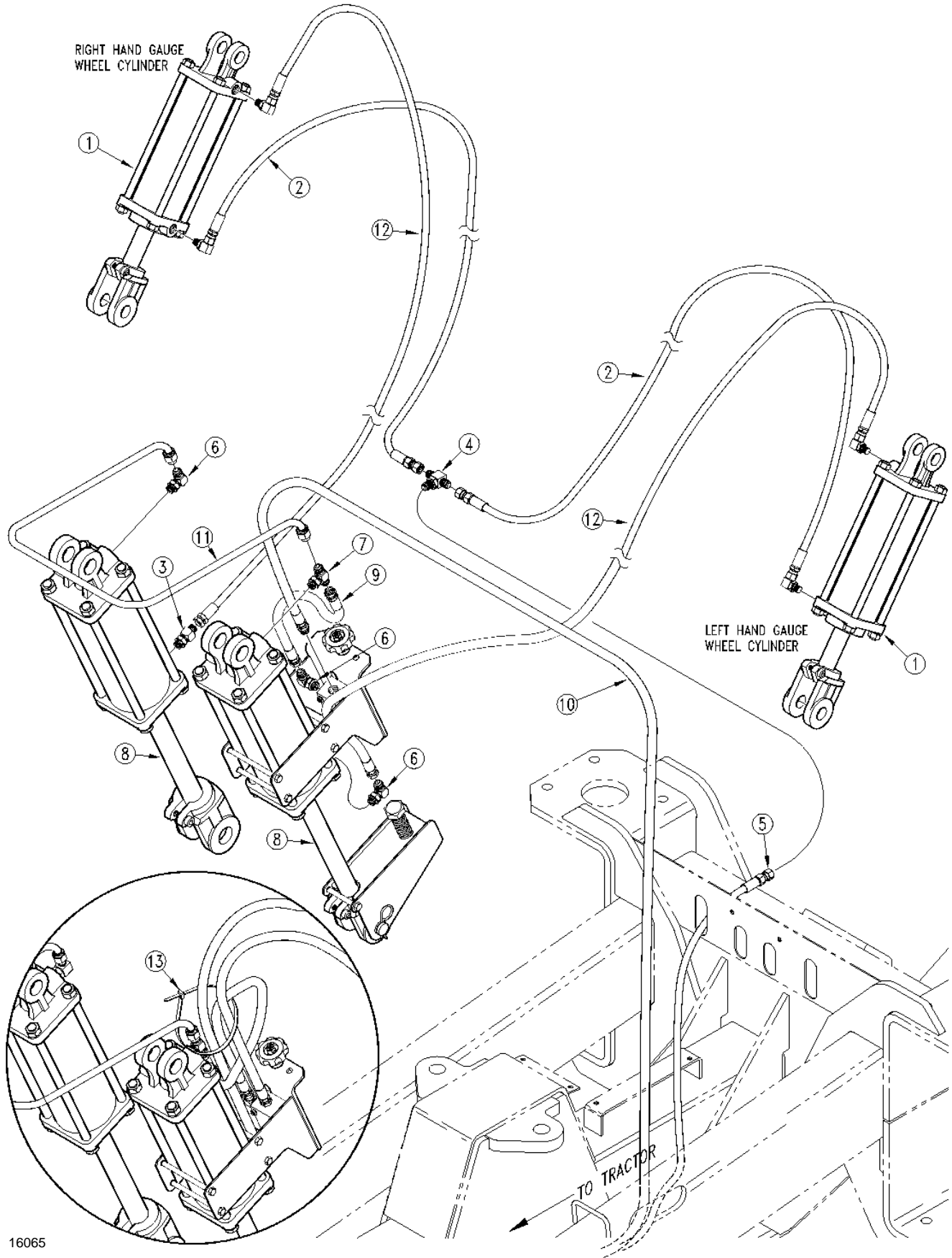
15599

**Transport Axle and Gauge Wheel Hydraulics (S/N C1692- 24' Drills S/N D1904- 30' Drills)**

Ref.	Part No.	Part Description	Comments
1.	810-123C 810-222C	CYL REP 4.25X12X1.5ROD(TIE)1PN CYL REP 4X12X1.37 ROD (TIE)	Refer to page 9-39 for breakdown. Refer to page 9-35 for breakdown.
2.	811-455C 811-468C	HH1/2R2 218 3/4FJIC 3/4MORB90 HH1/2R2 185 3/4FJIC 3/4MORB90	
3.	811-456C 811-469C	HH1/2R2 232 3/4MORB 3/4MORB90 HH1/2R2 200 3/4MORB 3/4MORB90	30' Drill. 24' Drill.
4.	811-078C	TE 3/4MJIC	
5.	811-482C 811-484C	HH1/2R2 400 1/2MNPT 3/4FJIC HH1/2R2 365 1/2MNPT 3/4FJIC	
6.	811-063C	EL 3/4MJIC 3/4MORB	
7.	811-077C	TE 3/4MORB 3/4MJIC 3/4MJIC	
8.	810-218C 810-221C	CYL REP 4.5X12X1.5 ROD (TIE) CYL REP 4.25X12X1.5 ROD (TIE)	Refer to page 9-31 for breakdown. Refer to page 9-27 for breakdown.
9.	811-340C	HH1/2R2 030 3/4FJIC	
10.	811-324C	AD 3/4MORB 3/4FJIC	
11.	811-400C	TRANSPORT CYLINDER JUMPER TUBE	
12.	⊗ 811-455C	HH1/2R2 218 3/4FJIC 3/4MORB90	30' Drill.
	● ① 811-628C	HH1/2R2 200 3/4FJIC 3/4MORB90	30' Drill. Replaced by 811-455C.
	811-629C	HH1/2R2 250 3/4FJIC 3/4MORB90	24' Drill

**Legend:** ● = 1st revision; ⊗ = 2nd revision; ⊕ = 3rd revision; ● = use up existing stock; ⊗ = not interchangeable; ⊗ ① ⊗ = for example: revision 2 is not interchangeable w/revision 1

**Transport Axle and Gauge Wheel Hydraulics (S/N C1693+ 24' Drills S/N D1905+ 30' Drills)**



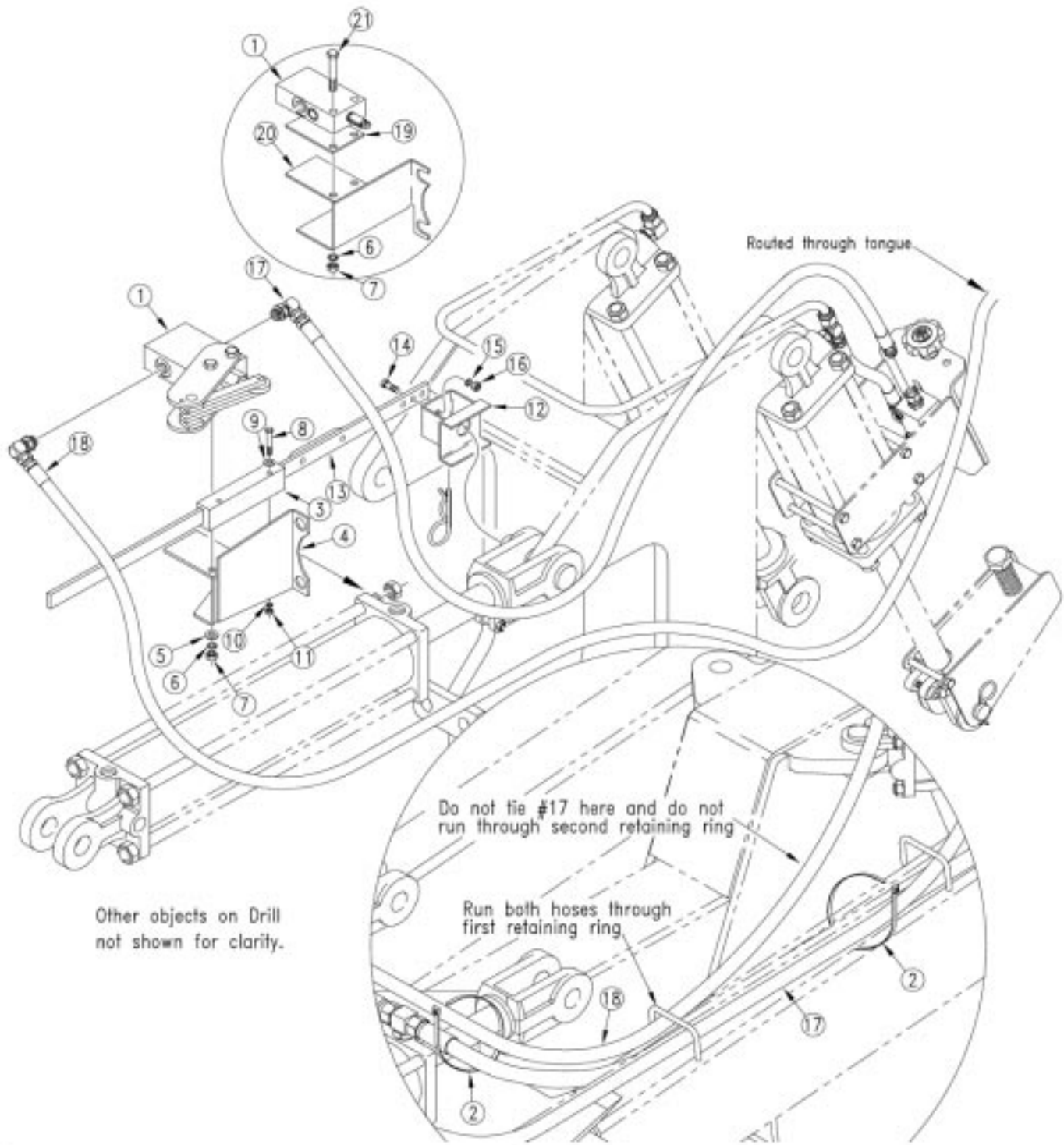
16065

## Transport Axle and Gauge Wheel Hydraulics (S/N C1693+ 24' Drills S/N D1905+ 30' Drills)

Ref.	Part No.	Part Description	Comments
1.	⊗ 810-394C	HYD CYL REP 4 X 12 X 1 1/2 ROD	For 3010 drills. (S/N D2107, D2109, and D2110+) Refer to page 9-37 for breakdown.
	⊗ 810-395C	HYD CYL REP 3 3/4 X 12 X 1 1/2	For 2410 drills. (S/N C1824) Refer to page 9-33 for breakdown.
	① 810-123C	CYL REP 4.25X12X1.5ROD(TIE)1PN	Refer to page 9-39 for breakdown. For 3010 drills.
	① 810-222C	CYL REP 4X12X1.37 ROD (TIE)	Refer to page 9-35 for breakdown. For 2410 drills.
2.	811-455C	HH1/2R2 218 3/4FJIC 3/4MORB90	
	811-468C	HH1/2R2 185 3/4FJIC 3/4MORB90	
3.	811-088C	AD 3/4MORB 3/4MJIC	
4.	811-078C	TE 3/4MJIC	
5.	811-482C	HH1/2R2 400 1/2MNPT 3/4FJIC	30' Drill
	811-484C	HH1/2R2 365 1/2MNPT 3/4FJIC	24' Drill
6.	811-063C	EL 3/4MJIC 3/4MORB	
7.	811-077C	TE 3/4MORB 3/4MJIC 3/4MJIC	
8.	⊗ 810-393C	HYD CYL 4 1/2 X 12 X 2 ROD	For 3010 drills. (S/N D2107, D2109, and D2110+) Refer to page 9-29 for breakdown.
	⊗ 810-392C	HYD CYL 4 1/4 X 12 X 2 ROD	For 2410 drills. (S/N C1824+) Refer to page 9-25 for breakdown.
	① 810-218C	CYL REP 4.5X12X1.5 ROD (TIE)	Refer to page 9-31 for breakdown. For 3010 drills.
	① 810-221C	CYL REP 4.25X12X1.5 ROD (TIE)	Refer to page 9-27 for breakdown. For 2410 drills
9.	811-340C	HH1/2R2 030 3/4FJIC	
10.	811-575C	HH1/2R2 472 1/2MNPT 3/4MORB	
	811-576C	HH1/2R2 435 1/2MNPT 3/4MORB	
11.	811-400C	TRANSPORT CYLINDER JUMPER TUBE	
12.	811-455C	HH1/2R2 218 3/4FJIC 3/4MORB90	30' Drill
	811-629C	HH1/2R2 232 3/4FJIC 3/4MORB90	24' Drill
13.	800-082C	CABLE TIE .31X21.5 6DIA 120LB	

**Legend:** ① = 1st revision; ⊗ = 2nd revision; ⊕ = 3rd revision; ● = use up existing stock; ⊗ = not interchangeable; ⊗ ① ⊕ = for example: revision 2 is not interchangeable w/revision 1

**Delay Valve and Plumbing (S/N C1692- 24' Drills S/N D1904- 30' Drills)**



15580

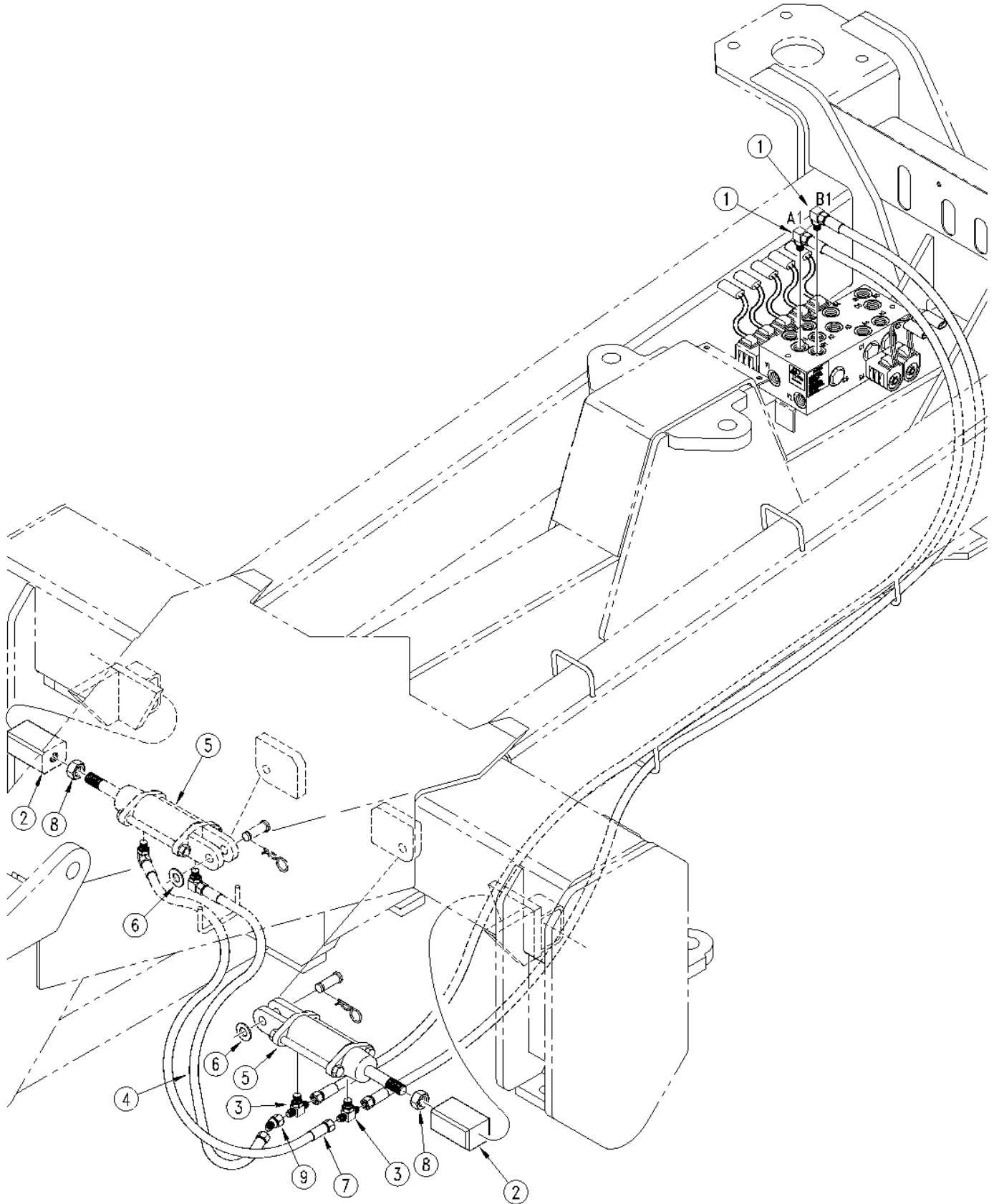
## Delay Valve and Plumbing (S/N C1692- 24' Drills S/N D1904- 30' Drills)

Ref.	Part No.	Part Description	Comments
1.	810-296C	VALVE DELAY ROLLER #8001	
2.	800-082C	CABLE TIE .31X21.5 6DIA 120LB	
3.	817-170C	CPH CLTR CMD SWITCH GUIDE BLK	
4.	196-181H	24 VALVE MOUNT WELDMENT	
	196-182H	30 VALVE MOUNT WELDMENT	
5.	804-012C	WASHER FLAT 3/8 SAE PLT	
6.	804-013C	WASHER LOCK SPRING 3/8 PLT	
7.	803-014C	NUT HEX 3/8-16 PLT	
8.	802-152C	HHCS 1/4-20X2 GR5	
9.	804-007C	WASHER FLAT 1/4 SAE PLT	
10.	804-006C	WASHER LOCK SPRING 1/4 PLT	
11.	803-006C	NUT HEX 1/4-20 PLT	
12.	196-179H	CYLINDER CLEVIS CHANNEL WLD	
13.	⊗ 196-191H	<b>DELAY VALVE ROD WELDMENT</b>	
	● ① 196-180H	<b>REPLACED BY 196-191H</b>	
14.	802-159C	HHCS 5/16-18X1 GR5	
15.	804-009C	WASHER LOCK SPRING 5/16 PLT	
16.	803-008C	NUT HEX 5/16-18 PLT	
17.	811-571C	HH1/2R2 084 3/4MJIC 3/4MORB90	
18.	⊗ 811-575C	<b>HH1/2R2 472 1/2MNPT 3/4MORB90</b>	<b>30' Drill</b>
	● ① 811-481C	<b>REPLACED BY 811-575C</b>	
	⊗ 811-576C	<b>HH1/2R2 435 1/2MNPT 3/4MORB90</b>	<b>24' Drill</b>
	● ① 811-483C	<b>REPLACED BY 811-576C</b>	
19.	196-380D	SPACER PLATE	Updated with Field Update
20.	196-383D	DELAY VALVE MOUNT	Updated with Field Update
21.	802-143C	HHCS 3/8-16X2 GR5	Updated with Field Update

**Legend:** ● = 1st revision; ⊗ = 2nd revision; ⊗ = 3rd revision; ● = use up existing stock; ⊗ = not interchangeable; ⊗ ① ● = for example: revision 2 is not interchangeable w/revision 1



**Transport Lockup Hydraulics**



14458



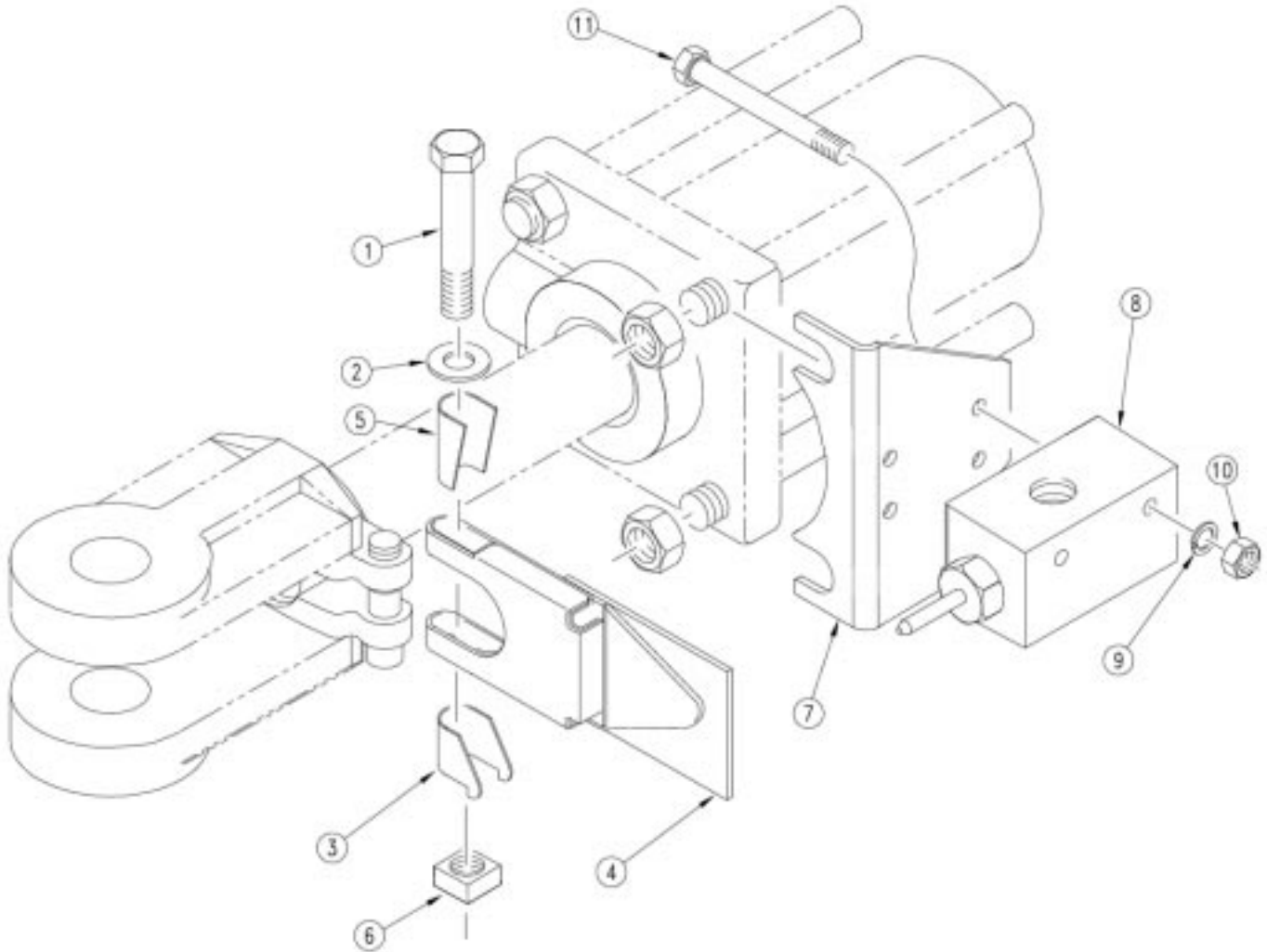
**Transport Lockup Hydraulics**

Ref.	Part No.	Part Description	Comments
1.	811-457C	HH1/4R2 063 9/16FJIC 3/4MORB90	
2.	196-287D	STOP BLOCK	
3.	811-439C	TE 9/16MORB 9/16MJIC 9/16MJIC	
4.	811-458C	HH1/4R2 038 9/16FJIC9/16MORB90	
5.	810-201C	CYL 1.5X2.5X.75 ROD (TIE ROD)	Refer to page 9-53 for breakdown.
6.	804-021C	WASHER FLAT 5/8 SAE PLT	
7.	811-496C	HH1/4R2 041 9/16FJIC9/16MORB90	
8.	803-235C	NUT HEX JAM 3/4-16 UNF PLT	
9.	811-397C	EL 45 9/16MJIC 9/16FJIC	

**Legend:** ① = 1st revision; ② = 2nd revision; ③ = 3rd revision; ● = use up existing stock; ⊗ = not interchangeable; ⊗ ① ② = for example: revision 2 is not interchangeable w/revision 1

*Depth Stop*

*This Depth Stop has been updated with a Depth Stop Field Update. Refer to page 9-17 and page 9-23. See your Great Plains Dealer for a complete Depth Stop Update.*



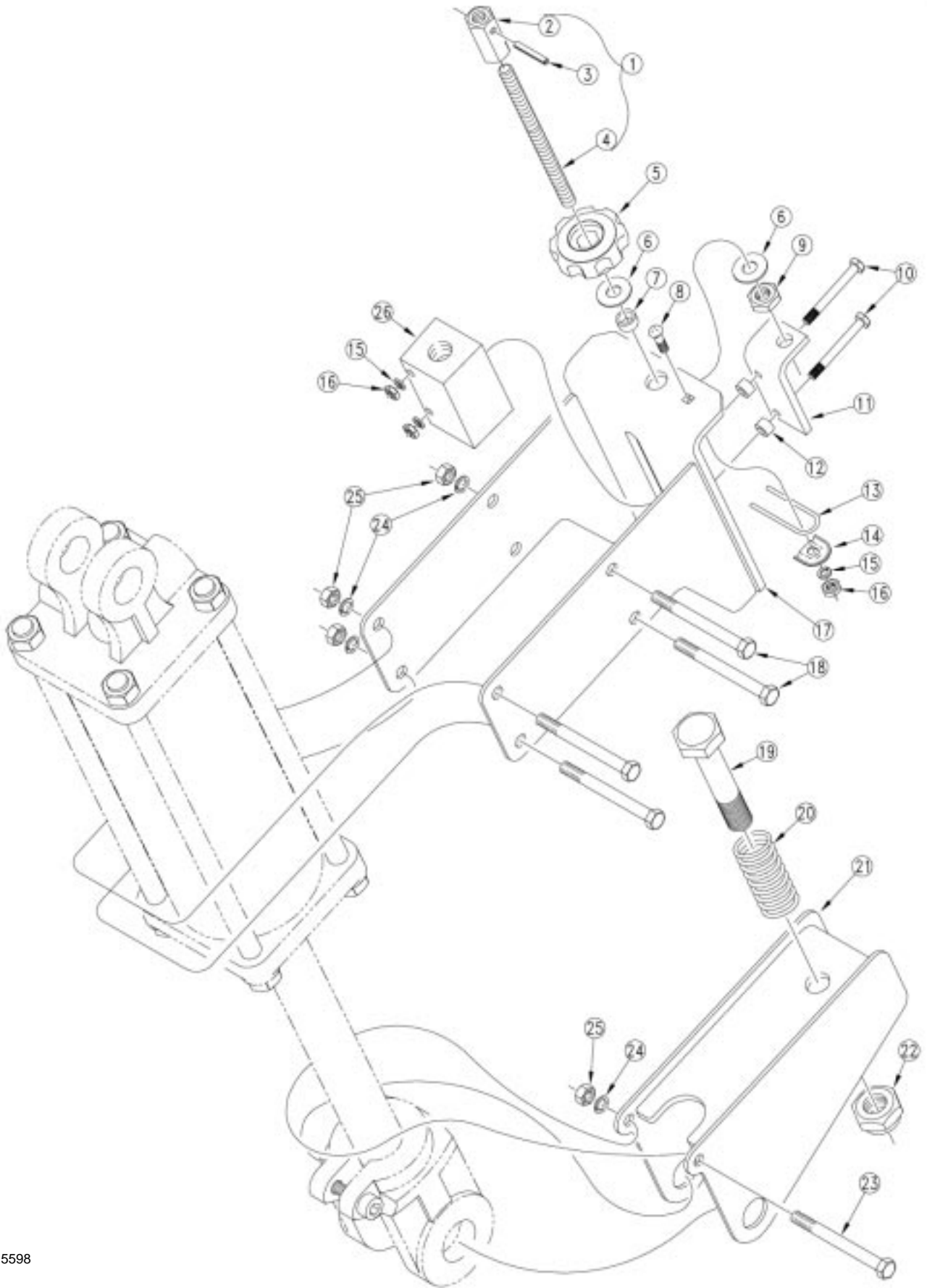
10637

**Depth Stop**

Ref.	Part No.	Part Description	Comments
1.	⊗ 802-333C	HHCS 5/16-18X3 1/2 GR5	
	● ① 16032-534P	REPLACED BY 802-333C	
2.	804-036C	WASHER FLAT 5/16 SAE PLT	
3.	51000144	51000-144 CESSNA CLAMP SEGMENT	
4.	196-098H	STOP CLAMP WELDMENT 1 1/2 ROD	
5.	51000127	51000-127 CESSNA CLAMP SEGMENT	
6.	51000128	51000-128 CESSNA NUT,SQ 5/16-18	
7.	196-360D	DEPTH STOP MOUNT, OFFSET	
8.	⊗ 810-445C	STROKE CONTROL VALVE	Refer to page 9-57 for breakdown.
9.	① 810-084C	HYD STROKE CONTROL	Refer to page 9-55 for breakdown.
10.	804-006C	WASHER LOCK SPRING 1/4 PLT	
11.	803-006C	NUT HEX 1/4-20 PLT	
12.	802-097C	HHCS 1/4-20X2 1/2 GR5	

**Legend:** ① = 1st revision; ⊗ = 2nd revision; ⊕ = 3rd revision; ● = use up existing stock; ⊗ = not interchangeable; ⊗ ① ⊗ = for example: revision 2 is not interchangeable w/revision 1

*Depth Stop*



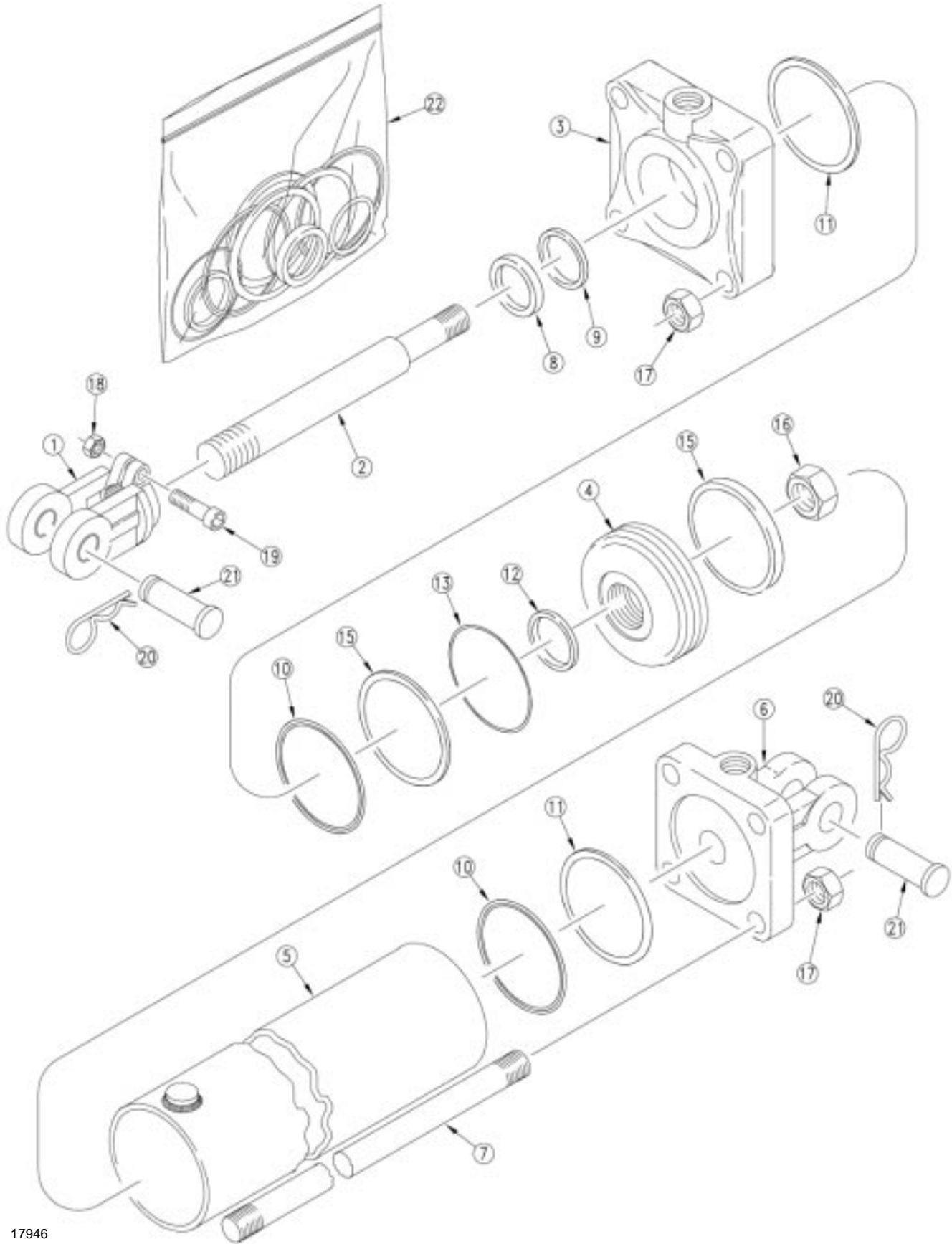
15598

**Depth Stop**

Ref.	Part No.	Part Description	Comments
1.	122-055S	SCREW ADJUSTMENT ROD	Includes items 2; 3 and 4
2.	803-067C	NUT HEX CPLR 7/16-14X1 3/4 PLT	
3.	805-073C	PIN ROLL 5/32 X 1	
4.	890-095C	THREADED ROD 7/16-14 X 7 304SS	
5.	817-021C	KNOB P.W. ADJUSTMENT	
6.	804-041C	WASHER FLAT 7/16 SAE PLT	
7.	152-380D	7/16 SPACER TUBE	
8.	802-002C	RHSNB 1/4-20X3/4 GR5	
9.	803-273C	HUT HEX NYLOCK 7/16-14 PLT	
10.	802-274C	HHCS 1/4-20X3 GR5	
11.	152-179H	DEPTH ADJUSTMENT BRACKET WLMT	
12.	152-379D	1/4 SPACER TUBE	
13.	807-020C	SPRING SCREW ADJ TENSION STRHT	
14.	122-065D	TENSION SPRING RETAINER	
15.	804-006C	WASHER LOCK SPRING 1/4 PLT	
16.	803-006C	NUT HEX 1/4-20 PLT	
17.	196-185H	2SNT DEPTH VALVE MNT WELDMENT	
18.	802-616C	HHCS 3/8-16X5 3/4 GR5	
19.	802-070C	HHCS 3/4-10X6 GR5	
20.	807-007C	SPRING LEVER	
21.	⊗ 196-212H	2SNT DEPTH STOP CLEVIS WELD	(S/N 3010 D2107, D2109 and D2110+; 2410 C1824+)
	Ⓜ 196-186H	2SNT DPTH VAL CLEVIS PLT WLMT	
22.	803-025C	NUT HEX 3/4-10 PLT NYLOCK	
23.	802-026C	HHCS 3/8-16X3 3/4 GR5	
24.	804-013C	WASHER LOCK SPRING 3/8 PLT	
25.	803-014C	NUT HEX 3/8-16 PLT	
26.	⊗ 810-445C	STROKE CONTROL VALVE	Refer to page 9-57 for breakdown.
	Ⓜ 810-084C	HYD STROKE CONTROL	Refer to page 9-55 for breakdown.

**Legend:** Ⓜ = 1st revision; ⊗ = 2nd revision; ⊕ = 3rd revision; ● = use up existing stock; ⊗ = not interchangeable; ⊗ Ⓜ = for example: revision 2 is not interchangeable w/revision 1

Midway Hydraulic Cylinder (810-392C)



17946

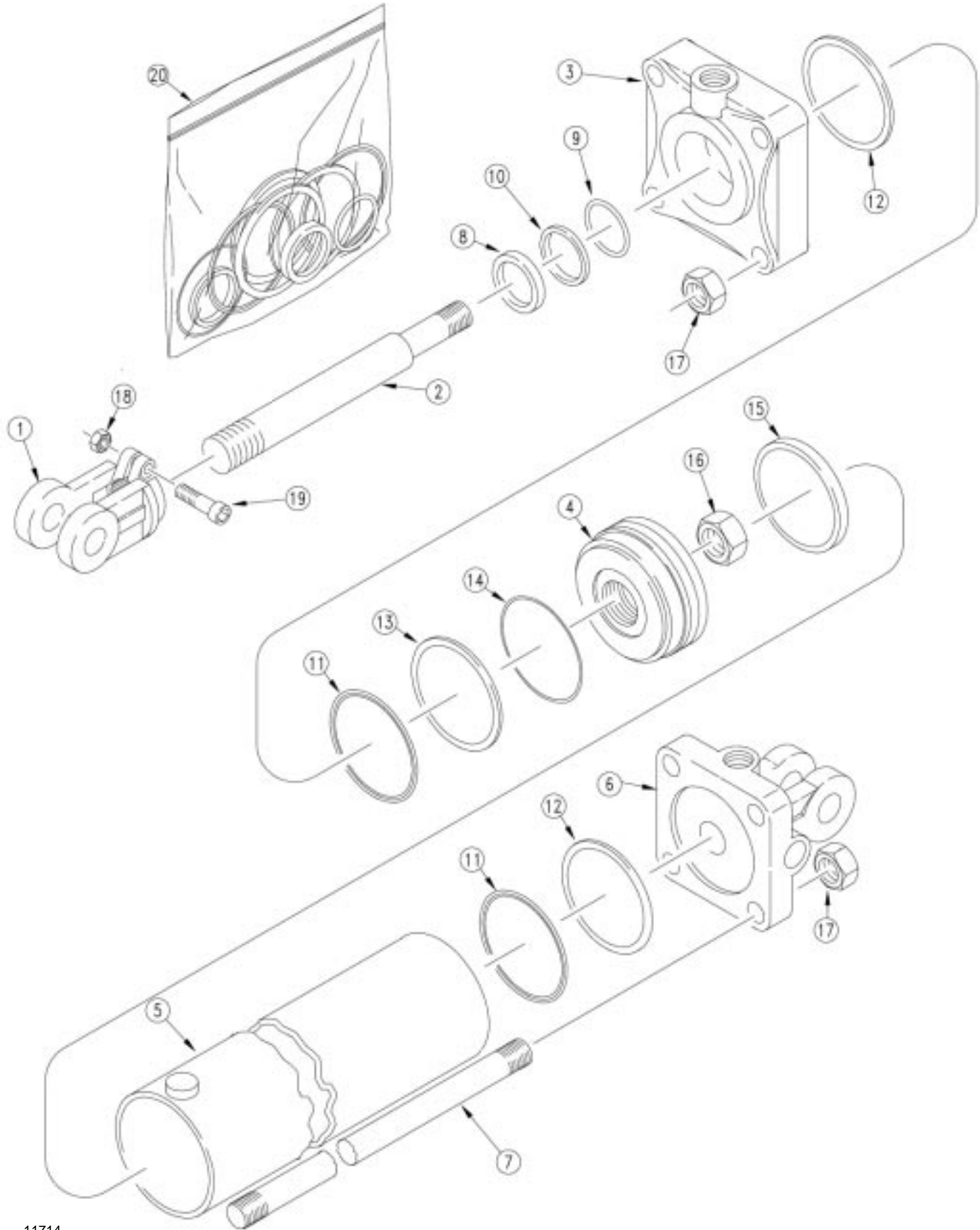
**Midway Hydraulic Cylinder (810-392C)**

Ref.	Part No.	Part Description	Comments
1.	1M7018	MW CLEVIS HEAVY DUTY W/HD BUSH	
2.	2M7622	ROD	
3.	3R7012	HEAD	
4.	4R6110	PISTON	
5.	5R6320	TUBE	
6.	6R6164	BASE MIDWAY	
7.	7M7320	TIE ROD MIDWAY	
8.		ROD WIPER	Available only in item 22.
9.		U-CUP	Available only in item 22.
10.		O-RING	Available only in item 22.
11.		BACK-UP	Available only in item 22.
12.		O-RING	Available only in item 22.
13.		TEFLON SEAL	Available only in item 22.
14.		LOADER O-RING	Available only in item 22.
15.		WEAR RING	Available only in item 22.
16.	2A0024	MW PISTON NUT 1-14	
17.	2A0019	TIE ROD NUT MIDWAY	
18.	2A0012	MW NUT CLEVIS & TIE ROD	
19.	2A0006	MW CAPSCREW	
20.	2A0209	MW PIN CLEVIS BASE END	
21.	2A0132	MW PIN CLIP	
22.	810-396C	SEAL KIT FOR 810-392C 4A6110	

**Legend:** ① = 1st revision; ② = 2nd revision; ③ = 3rd revision; ● = use up existing stock; ⊗ = not interchangeable; ⊗ ① ② = for example: revision 2 is not interchangeable w/revision 1



*Midway Hydraulic Cylinder (810-221C)*



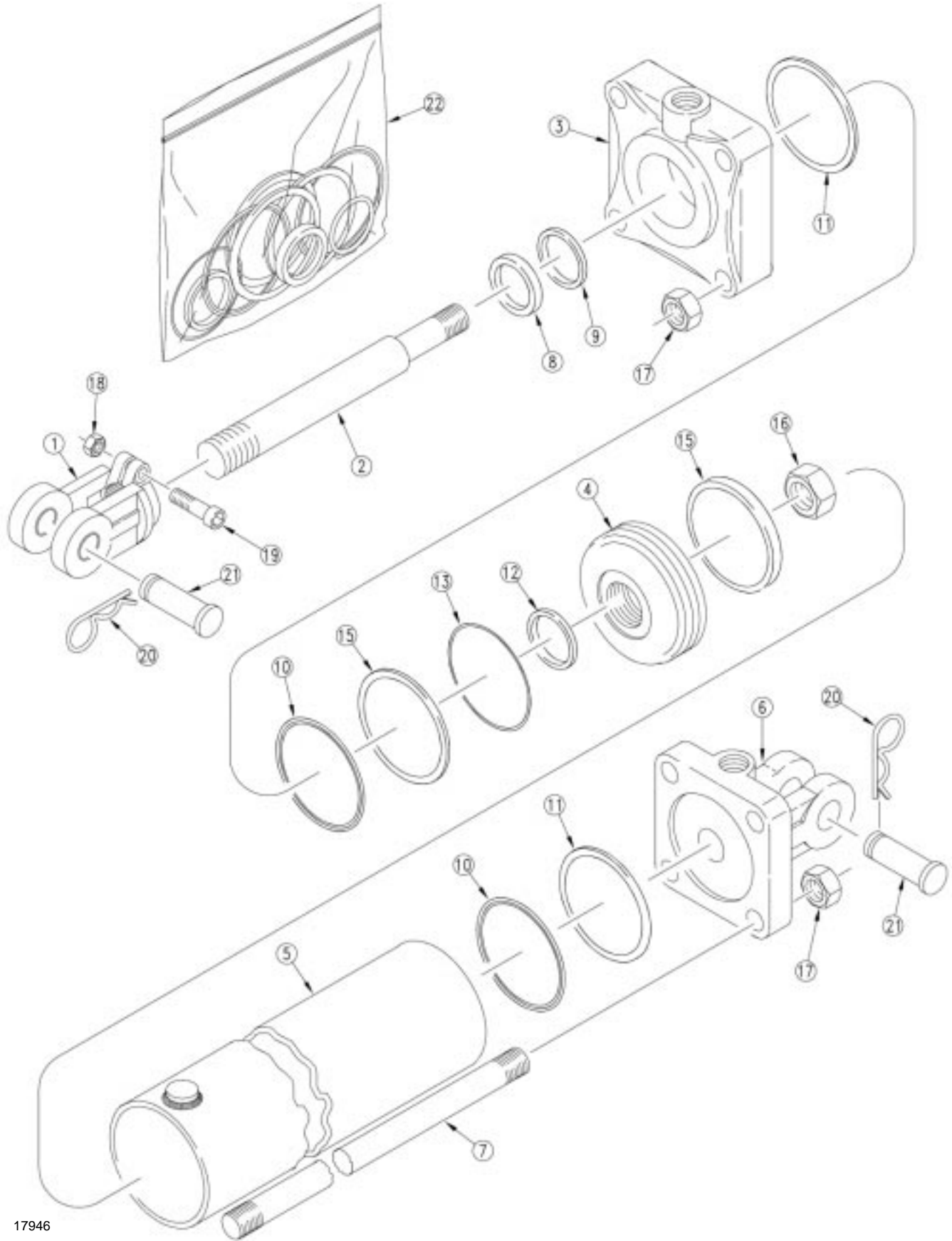
11714

**Midway Hydraulic Cylinder (810-221C)**

Ref.	Part No.	Part Description	Comments
1.	1M7018	MW CLEVIS HEAVY DUTY W/HD BUSH	
2.	2M7520	ROD MIDWAY	
3.	3R6912	HEAD MIDWAY	
4.	4R6108	PISTON MIDWAY	
5.	5R6120	TUBE MIDWAY	
6.	6R6164	BASE MIDWAY	
7.	7M7320	TIE ROD MIDWAY	
8.		WIPER SEAL	Only available in item 20.
9.		O-RING	Only available in item 20.
10.		BACKUP	Only available in item 20.
11.		O-RING	Only available in item 20.
12.		BACKUP	Only available in item 20.
13.		TEFLON SEAL	Only available in item 20.
14.		LOADER O-RING	Only available in item 20.
15.		WEAR RING	Only available in item 20.
16.	2A0024	MW PISTON NUT 1-14	
17.	2A0019	TIE ROD NUT MIDWAY	
18.	2A0012	MW NUT CLEVIS & TIE ROD	
19.	2A0006	MW CAPSCREW	
20.	810-144C	SEAL KIT MW 4.25 RPHCYL 4A6104	

**Legend:** ① = 1st revision; ② = 2nd revision; ③ = 3rd revision; ● = use up existing stock; ⊗ = not interchangeable; ⊗ ① ② = for example: revision 2 is not interchangeable w/revision 1

Midway Hydraulic Cylinder (810-393C)



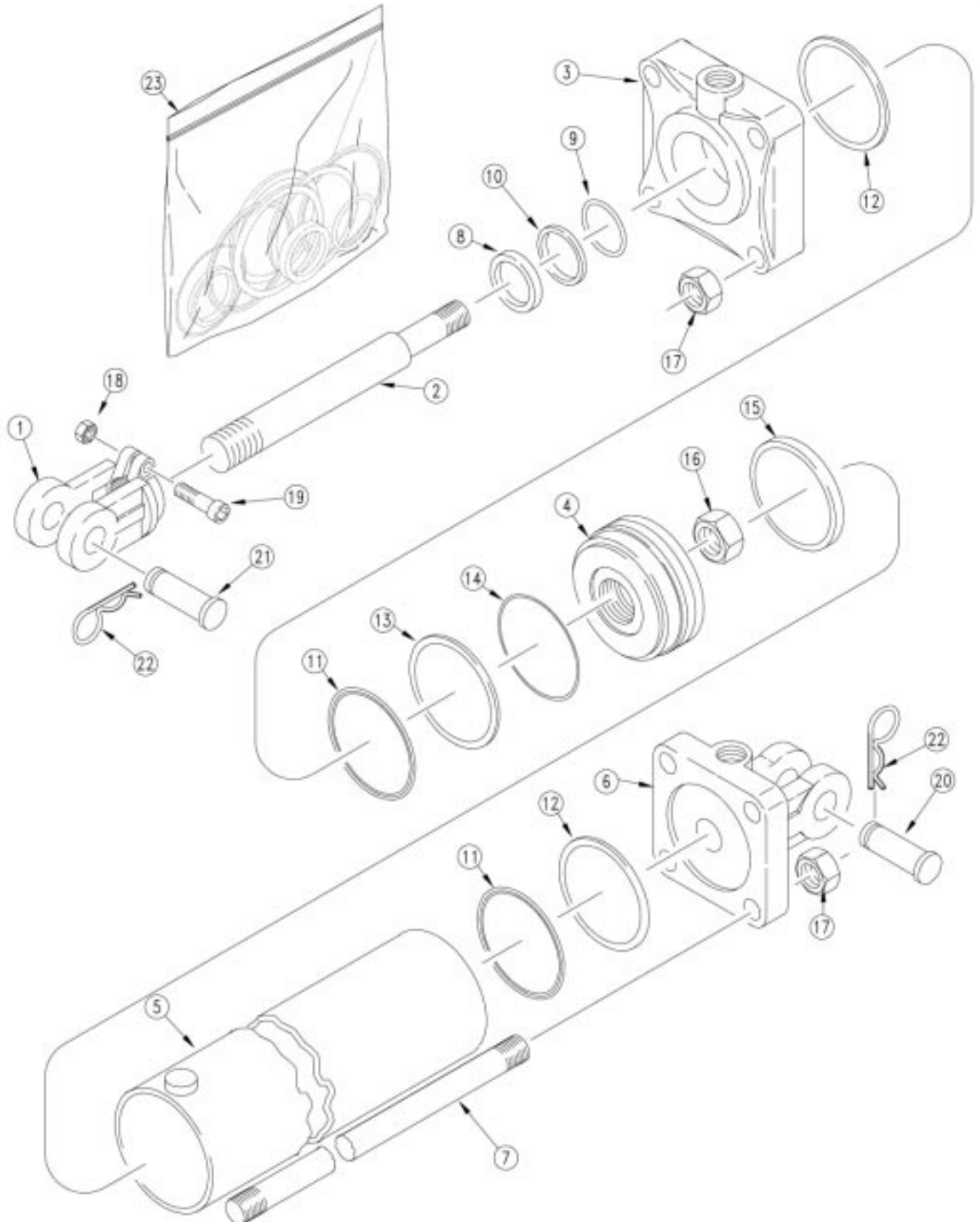
17946

**Midway Hydraulic Cylinder (810-393C)**

Ref.	Part No.	Part Description	Comments
1.	1M7018	MW CLEVIS HEAVY DUTY W/HD BUSH	
2.	2M7622	ROD	
3.	3R7612	HEAD	
4.	4R7110	PISTON	
5.	5R7320	TUBE	
6.	6R7164	BASE MIDWAY	
7.	7M7320	TIE ROD MIDWAY	
8.		ROD WIPER	Available only in item 22.
9.		U-CUP	Available only in item 22.
10.		O-RING	Available only in item 22.
11.		BACK-UP	Available only in item 22.
12.		O-RING	Available only in item 22.
13.		TEFLON SEAL	Available only in item 22.
14.		LOADER O-RING	Available only in item 22.
15.		WEAR RING	Available only in item 22.
16.	2A0024	MW PISTON NUT 1-14	
17.	2A0019	TIE ROD NUT MIDWAY	
18.	2A0012	MW NUT CLEVIS & TIE ROD	
19.	2A0006	MW CAPSCREW	
20.	2A0209	MW PIN CLEVIS BASE END	
21.	2A0132	MW PIN CLIP	
22.	810-397C	SEAL KIT FOR 810-393C 4A7110	

**Legend:** ① = 1st revision; ② = 2nd revision; ③ = 3rd revision; ● = use up existing stock; ⊗ = not interchangeable; ⊗ ① ② = for example: revision 2 is not interchangeable w/revision 1

Midway Hydraulic Cylinder (810-218C)



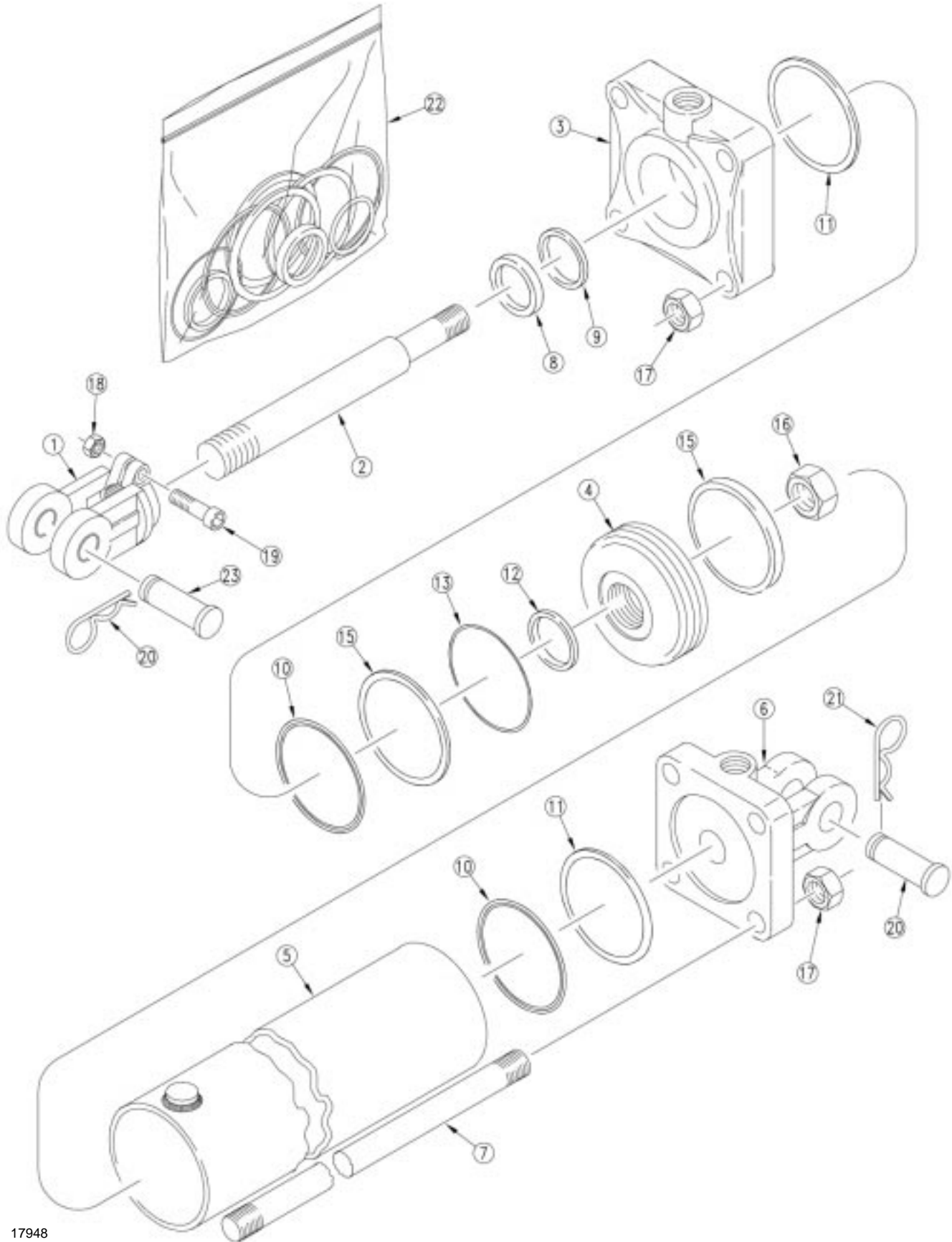
12930

**Midway Hydraulic Cylinder (810-218C)**

Ref.	Part No.	Part Description	Comments
1.	1M7018	MW CLEVIS HEAVY DUTY W/HD BUSH	
2.	2M7520	ROD MIDWAY	
3.	3R7512	HEAD MIDWAY	
4.	4R7108	PISTON MIDWAY	
5.	5R7120	TUBE MIDWAY	
6.	6R7164	MW BASE	
7.	7M7320	TIE ROD MIDWAY	
8.		WIPER SEAL	Only available in item 23.
9.		O-RING	Only available in item 23.
10.		BACKUP	Only available in item 23.
11.		O-RING	Only available in item 23.
12.		BACKUP	Only available in item 23.
13.		TEFLON SEAL	Only available in item 23.
14.		LOADER O-RING	Only available in item 23.
15.		WEAR RING	Only available in item 23.
16.	2A0024	MW PISTON NUT 1-14	
17.	2A0019	TIE ROD NUT MIDWAY	
18.	2A0012	MW NUT CLEVIS & TIE ROD	
19.	2A0006	MW CAPSCREW	
20.	2A0209	MW PIN CLEVIS BASE END	
21.	805-159C	PIN CLEVIS 1 X 3 1/8 GR5 PLT	
22.	2A0132	MW PIN CLIP	
23.	810-158C	SEAL KIT MW 4.5 RPHCYL 4A7104	

**Legend:** ● = 1st revision; ● = 2nd revision; ● = 3rd revision; ● = use up existing stock; ⊗ = not interchangeable; ⊗ ① ● = for example: revision 2 is not interchangeable w/revision 1

Midway Hydraulic Cylinder (810-395C)



17948

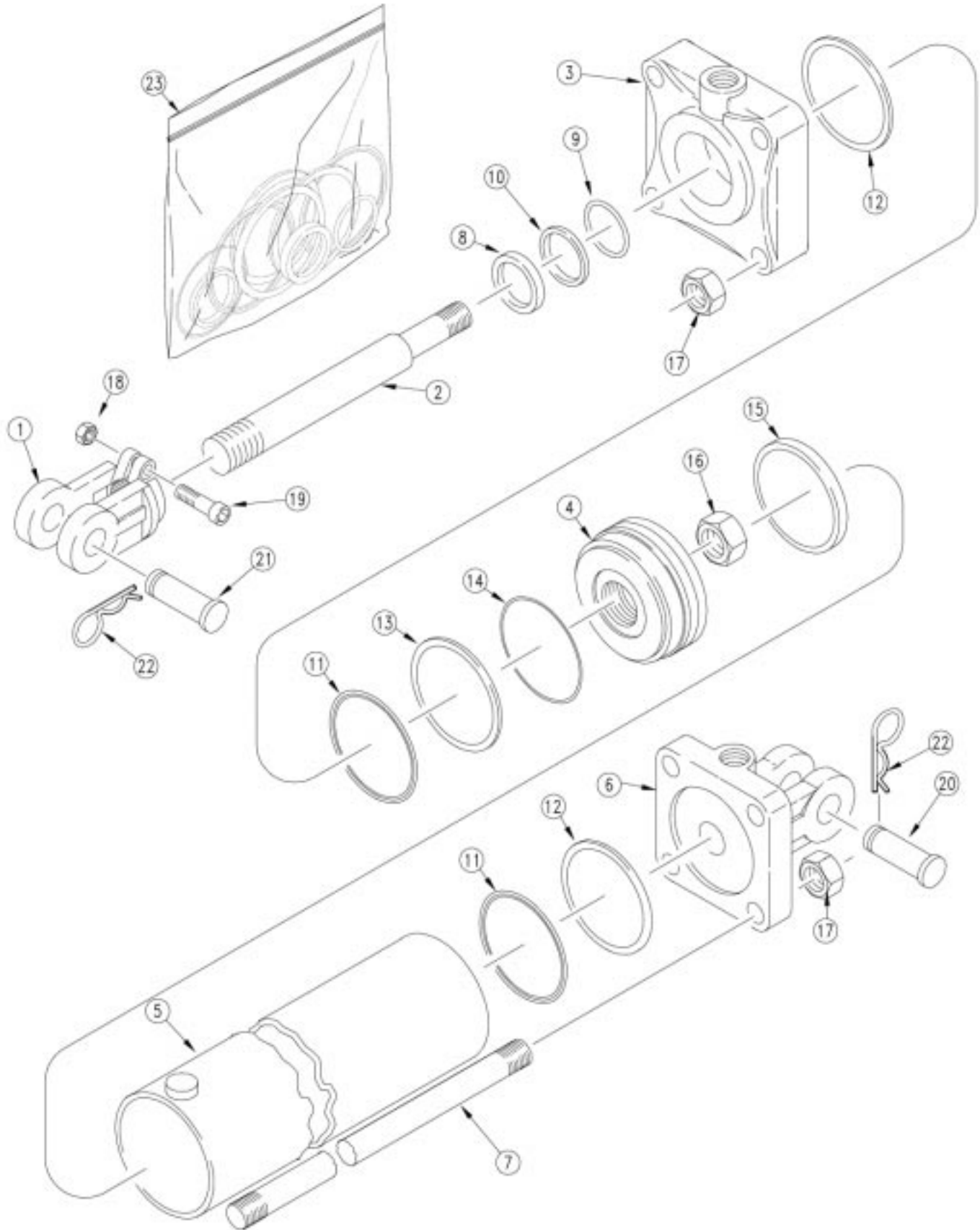


**Midway Hydraulic Cylinder (810-395C)**

Ref.	Part No.	Part Description	Comments
1.	1M7018	MW CLEVIS HEAVY DUTY W/HD BUSH	
2.	2M6522	ROD	
3.	3R4912	HEAD	
4.	4R4110	PISTON	
5.	5R4320	TUBE	
6.	6R4162	BASE MIDWAY	
7.	7M7320	TIE ROD MIDWAY	
8.		ROD WIPER	Available only in item 22.
9.		U-CUP	Available only in item 22.
10.		O-RING	Available only in item 22.
11.		BACK-UP	Available only in item 22.
12.		O-RING	Available only in item 22.
13.		TEFLON SEAL	Available only in item 22.
14.		LOADER O-RING	Available only in item 22.
15.		WEAR RING	Available only in item 22.
16.	2A0024	MW PISTON NUT 1-14	
17.	2A0019	TIE ROD NUT MIDWAY	
18.	2A0012	MW NUT CLEVIS & TIE ROD	
19.	2A0006	MW CAPSCREW	
20.	2A0208	MW CLEVIS PIN	
21.	2A0132	MW PIN CLIP	
22.	810-399C	SEAL KIT FOR 810-395C 4A4109	
23.	2A0206	MW PIN SHORT	

**Legend:** ① = 1st revision; ② = 2nd revision; ③ = 3rd revision; ● = use up existing stock; ⊗ = not interchangeable; ⊗ ① ② = for example: revision 2 is not interchangeable w/revision 1

Midway Hydraulic Cylinder (810-222C)



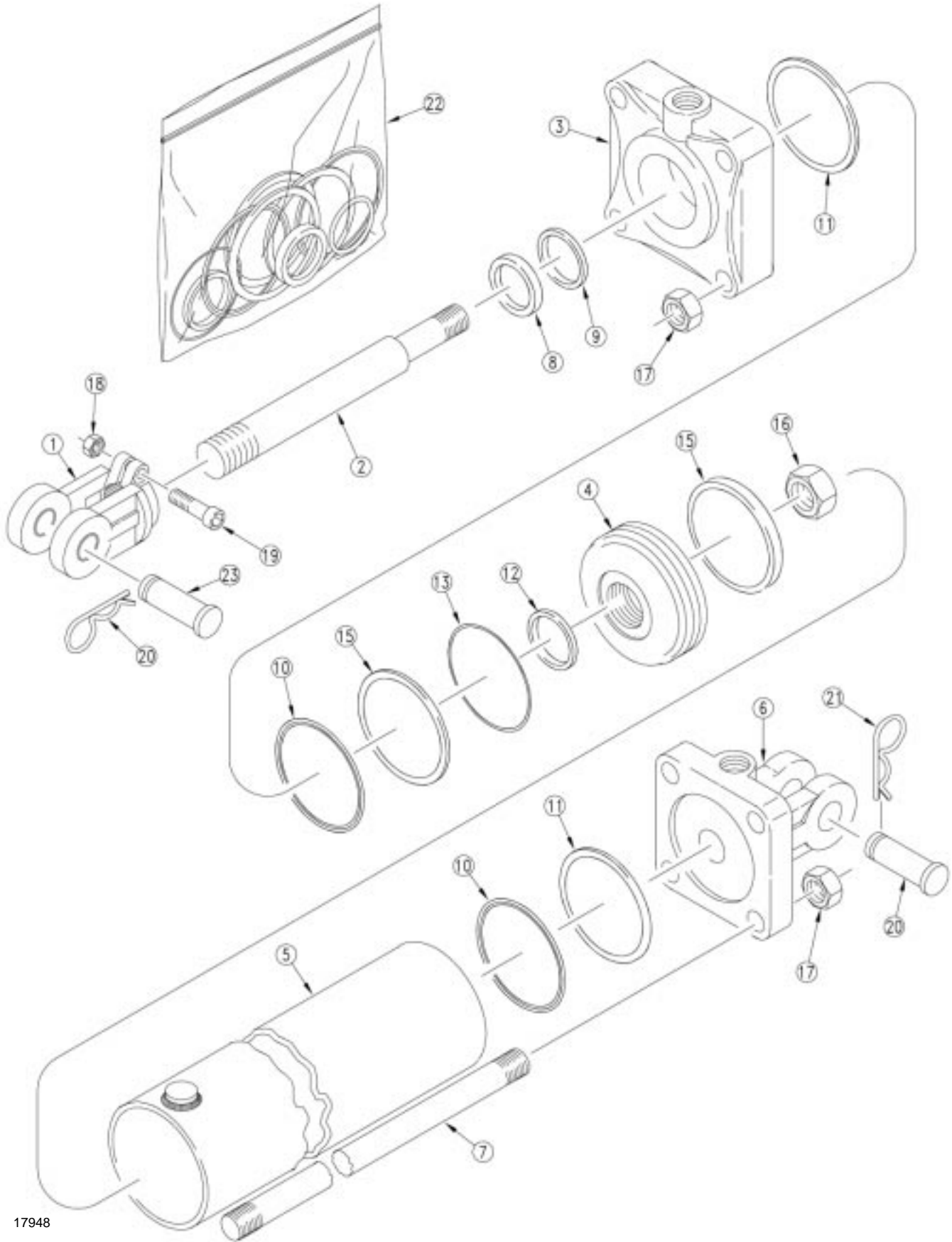
12930

**Midway Hydraulic Cylinder (810-222C)**

Ref.	Part No.	Part Description	Comments
1.	1M7018	MW CLEVIS HEAVY DUTY W/HD BUSH	
2.	2M6820	MW ROD	
3.	3R5812	MW HEAD	
4.	4R5108	PISTON MIDWAY	
5.	5R5120	TUBE MIDWAY	
6.	6R5162	MW BASE	
7.	7M6320	TIE ROD MIDWAY	
8.		WIPER SEAL	Only available in item 23.
9.		O-RING	Only available in item 23
10.		BACKUP	Only available in item 23
11.		O-RING	Only available in item 23
12.		BACKUP	Only available in item 23
13.		TEFLON SEAL	Only available in item 23
14.		LOADER O-RING	Only available in item 23
15.		WEAR RING	Only available in item 23
16.	2A0024	MW PISTON NUT 1-14	
17.	2A0018	MW TIE ROD NUT	
18.	2A0012	MW NUT CLEVIS & TIE ROD	
19.	2A0006	MW CAPSCREW	
20.	2A0208	MW CLEVIS PIN	
21.	2A0206	MW PIN SHORT	
22.	2A0132	MW PIN CLIP	
23.	810-151C	SEAL KIT MW 4 RPH CYL 4A5103	

**Legend:** ● = 1st revision; ● = 2nd revision; ● = 3rd revision; ● = use up existing stock; ⊗ = not interchangeable; ⊗ ① ● = for example: revision 2 is not interchangeable w/revision 1

Midway Hydraulic Cylinder (810-394C)



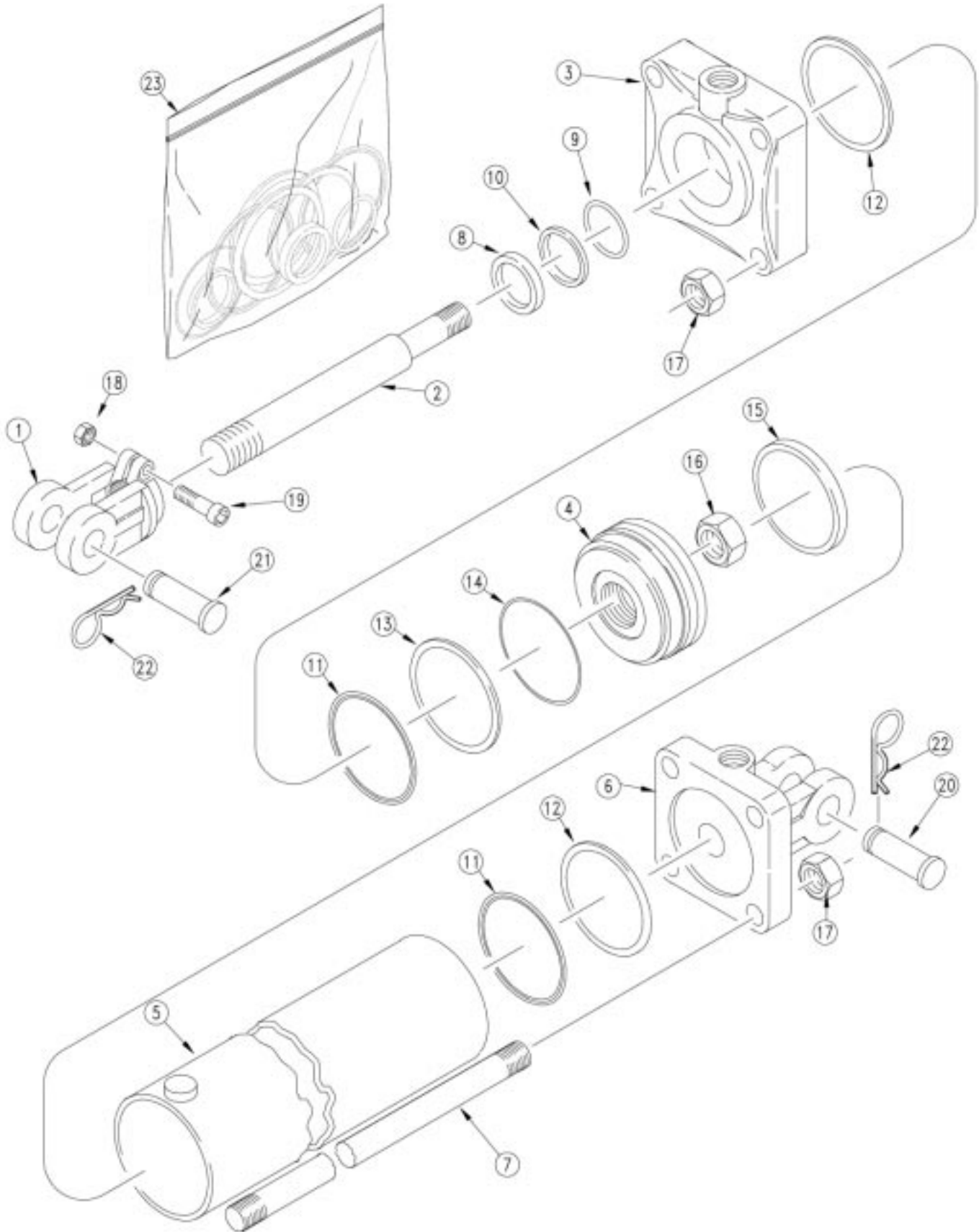
17948

**Midway Hydraulic Cylinder (810-394C)**

Ref.	Part No.	Part Description	Comments
1.	1M7018	MW CLEVIS HEAVY DUTY W/HD BUSH	
2.	2M6522	ROD	
3.	3R5912	HEAD	
4.	4R5110	PISTON	
5.	5R5320	TUBE	
6.	6R5162	BASE MIDWAY	
7.	7M6320	TIE ROD MIDWAY	
8.		ROD WIPER	Available only in item 22.
9.		U-CUP	Available only in item 22.
10.		O-RING	Available only in item 22.
11.		BACK-UP	Available only in item 22.
12.		O-RING	Available only in item 22.
13.		TEFLON SEAL	Available only in item 22.
14.		LOADER O-RING	Available only in item 22.
15.		WEAR RING	Available only in item 22.
16.	2A0024	MW PISTON NUT 1-14	
17.	2A0018	TIE ROD NUT MIDWAY	
18.	2A0012	MW NUT CLEVIS & TIE ROD	
19.	2A0006	MW CAPSCREW	
20.	2A0208	MW CLEVIS PIN	
21.	2A0132	MW PIN CLIP	
22.	810-398C	SEAL KIT FOR 810-394C 4A5109	
23.	2A0206	MW PIN SHORT	

**Legend:** ① = 1st revision; ② = 2nd revision; ③ = 3rd revision; ● = use up existing stock; ⊗ = not interchangeable; ⊗ ① ② = for example: revision 2 is not interchangeable w/revision 1

Midway Hydraulic Cylinder (810-123C)



12930

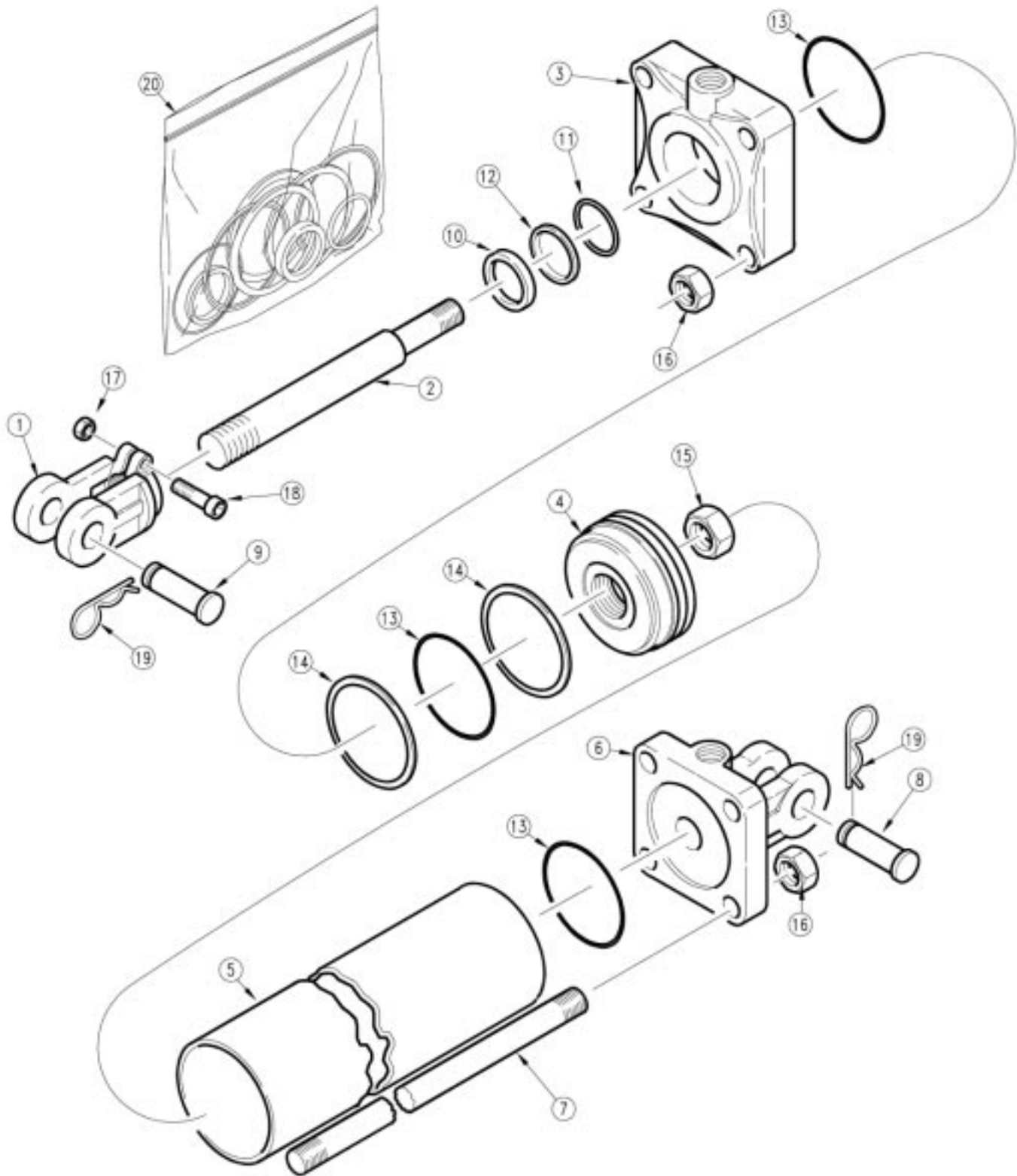
**Midway Hydraulic Cylinder (810-123C)**

Ref.	Part No.	Part Description	Comments
1.	1M7018	MW CLEVIS HEAVY DUTY W/HD BUSH	
2.	2M7520	ROD MIDWAY	
3.	3R6912	HEAD MIDWAY	
4.	4R6108	PISTON MIDWAY	
5.	5R6120	TUBE MIDWAY	
6.	6R6162	BASE MIDWAY	
7.	7M7320	TIE ROD MIDWAY	
8.		WIPER SEAL	Only available in item 23
9.		O-RING	Only available in item 23
10.		BACKUP	Only available in item 23
11.		O-RING	Only available in item 23
12.		BACKUP	Only available in item 23
13.		TEFLON SEAL	Only available in item 23
14.		LOADER O-RING	Only available in item 23
15.		WEAR RING	Only available in item 23
16.	2A0024	MW PISTON NUT 1-14	
17.	2A0019	TIE ROD NUT MIDWAY	
18.	2A0012	MW NUT CLEVIS & TIE ROD	
19.	2A0006	MW CAPSCREW	
20.	2A0209	MW PIN CLEVIS BASE END	
21.	2A0206	MW PIN SHORT	
22.	2A0132	MW PIN CLIP	
23.	810-144C	SEAL KIT MW 4.25 RPHCYL 4A6104	

**Legend:** ① = 1st revision; ② = 2nd revision; ③ = 3rd revision; ● = use up existing stock; ⊗ = not interchangeable; ⊗ ① ② = for example: revision 2 is not interchangeable w/revision 1



Midway Hydraulic Cylinder (810-219C)



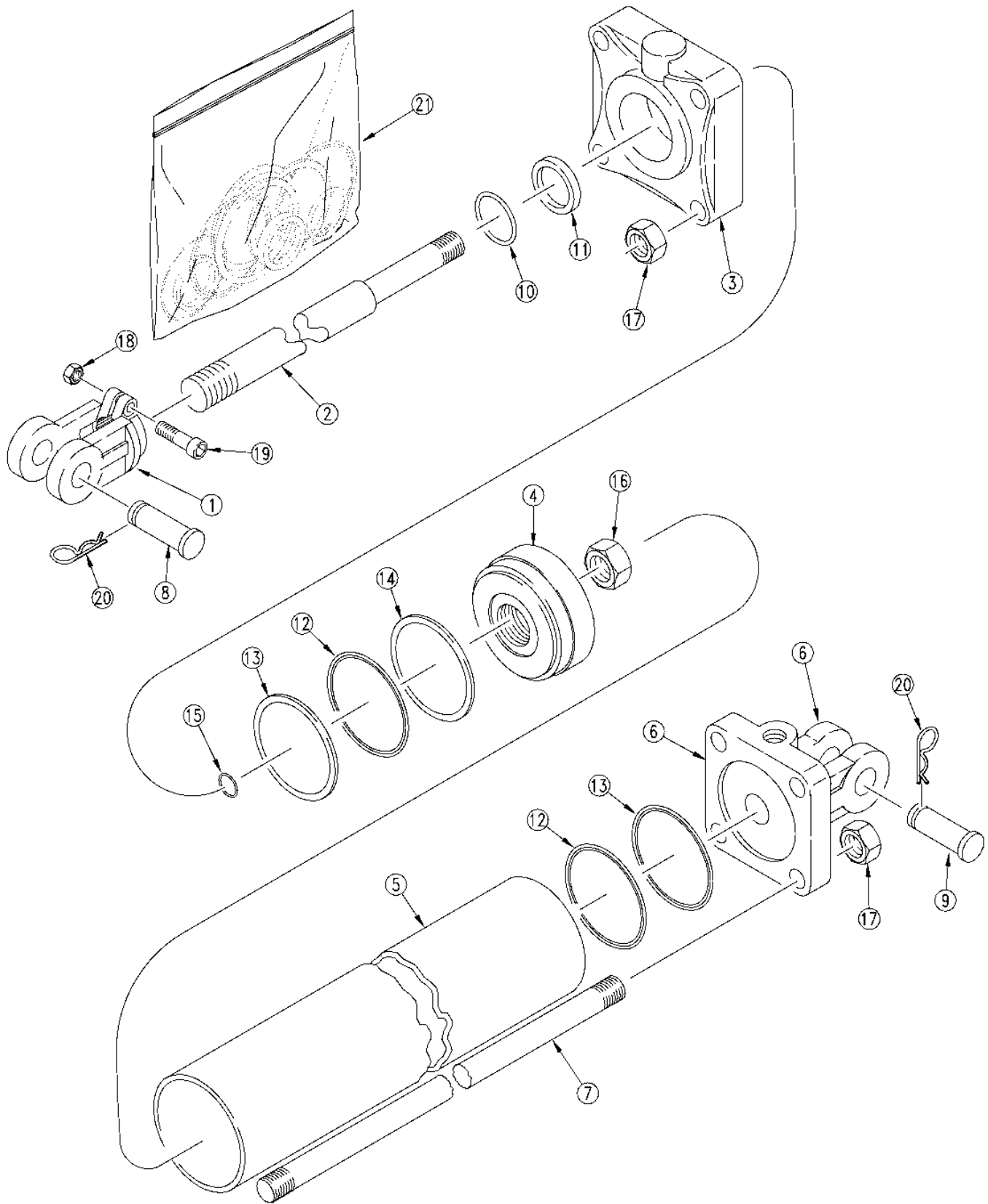
16401

**Midway Hydraulic Cylinder (810-219C)**

Ref.	Part No.	Part Description	Comments
1.	1M7018	MW CLEVIS HEAVY DUTY W/HD BUSH	
2.	2M5690	MW ROD	
3.	3R3612	MW HEAD	
4.	4M5102	MW PISTON 3 1/2 DIA.	
5.	5M5124	MW TUBE 3-1/2 X 16 CYLINDER	
6.	6R3162	MW CLEVIS BASE 3-1/2 X 3/4 O.R	
7.	7M5324	MW TIE ROD	
8.	2A0206	MW PIN SHORT	
9.	2A0208	MW CLEVIS PIN	
10.		WIPER SEAL	Only available in item 20
11.		O-RING	Only available in item 20
12.		BACKUP	Only available in item 20
13.		O-RING	Only available in item 20
14.		BACKUP	Only available in item 20
15.	2A0024	MW PISTON NUT 1-14	
16.	2A0016	MW TIE ROD NUT	
17.	2A0012	MW NUT CLEVIS & TIE ROD	
18.	2A0006	MW CAPSCREW	
19.	2A0132	MW PIN CLIP	
20.	810-251C	SEAL KIT MW 3A5106	

**Legend:** ● = 1st revision; ● = 2nd revision; ● = 3rd revision; ● = use up existing stock; ⊗ = not interchangeable; ⊗ ① ● = for example: revision 2 is not interchangeable w/revision 1

Hydraulic Cylinder (810-240C)



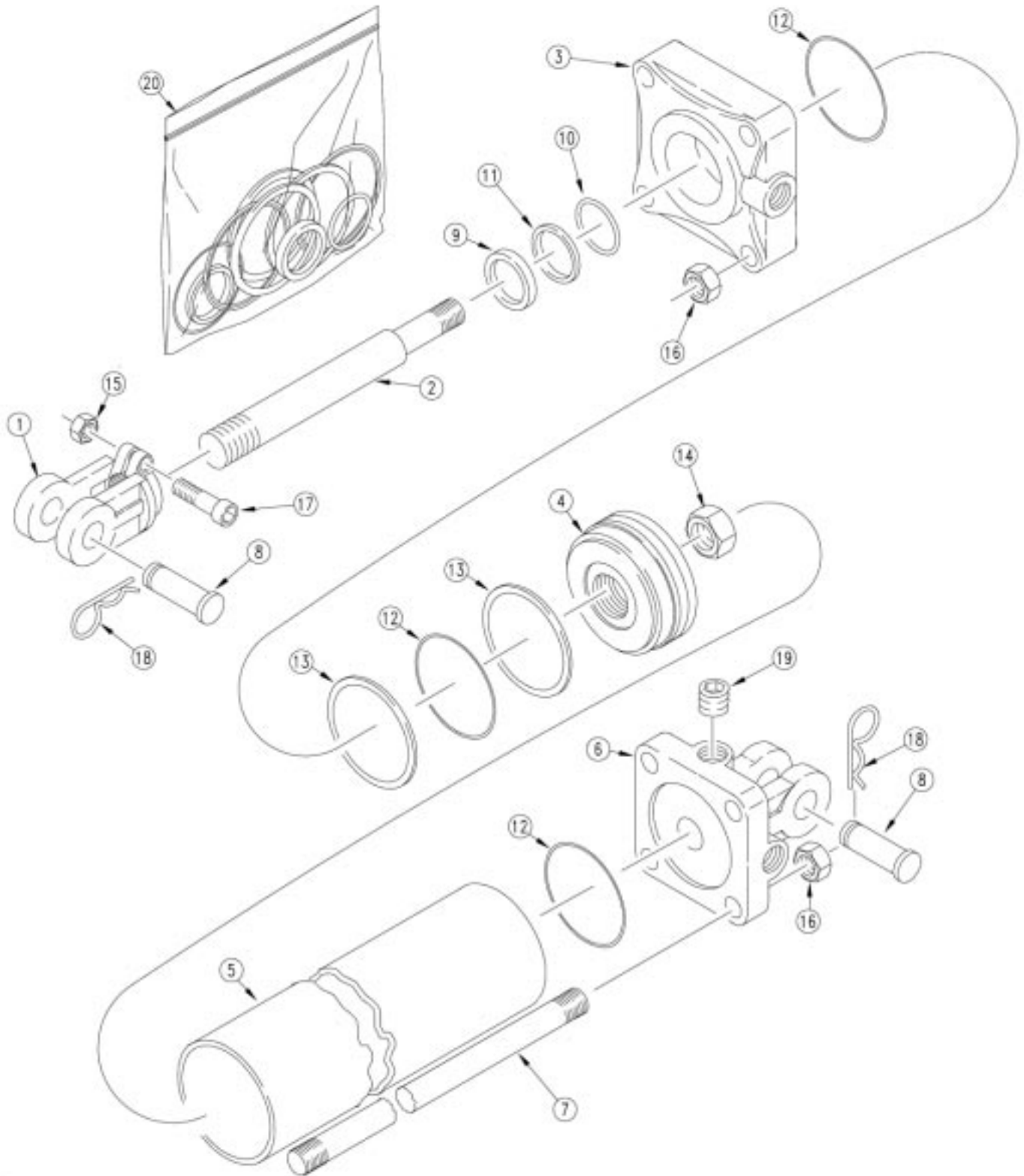
13013

**Hydraulic Cylinder (810-240C)**

Ref.	Part No.	Part Description	Comments
1.	1M7018	MW CLEVIS HEAVY DUTY W/HD BUSH	
2.	2M6676	MW ROD 2 DIA. X 16 STROKE	
3.	3R6012	HEAD MIDWAY	
4.	4M6108	MW PISTON	
5.	5M6124	MW TUBE 4 X 16 CYLINDER	
6.	6R5168	BASE MIDWAY	
7.	7M6324	MW TIE ROD 4 X 16 CYLINDER	
8.	2A0206	MW PIN SHORT	
9.	2A0208	MW CLEVIS PIN	
10.		MW WIPER	Only available in item 21
11.		U-CUP	Only available in item 21
12.		O-RING MIDWAY	Only available in item 21
13.		BACK UP MIDWAY	Only available in item 21
14.		CROWN SEAL MIDWAY	Only available in item 21
15.		MW PISTON NUT SEAL	Only available in item 21
16.	2A0024	MW PISTON NUT 1-14	
17.	2A0018	MW TIE ROD NUT	
18.	2A0012	MW NUT CLEVIS & TIE ROD	
19.	802-023C	HHCS 3/8-16X1 3/4 GR5	
20.	2A0132	MW PIN CLIP	
21.	810-014C	CYL SEAL KIT 4 X 16 MW 5A6106	

**Legend:** ● = 1st revision; ● = 2nd revision; ● = 3rd revision; ● = use up existing stock; ⊗ = not interchangeable; ⊗ ① ● = for example: revision 2 is not interchangeable w/revision 1

*Midway Hydraulic Cylinder (810-216C)*



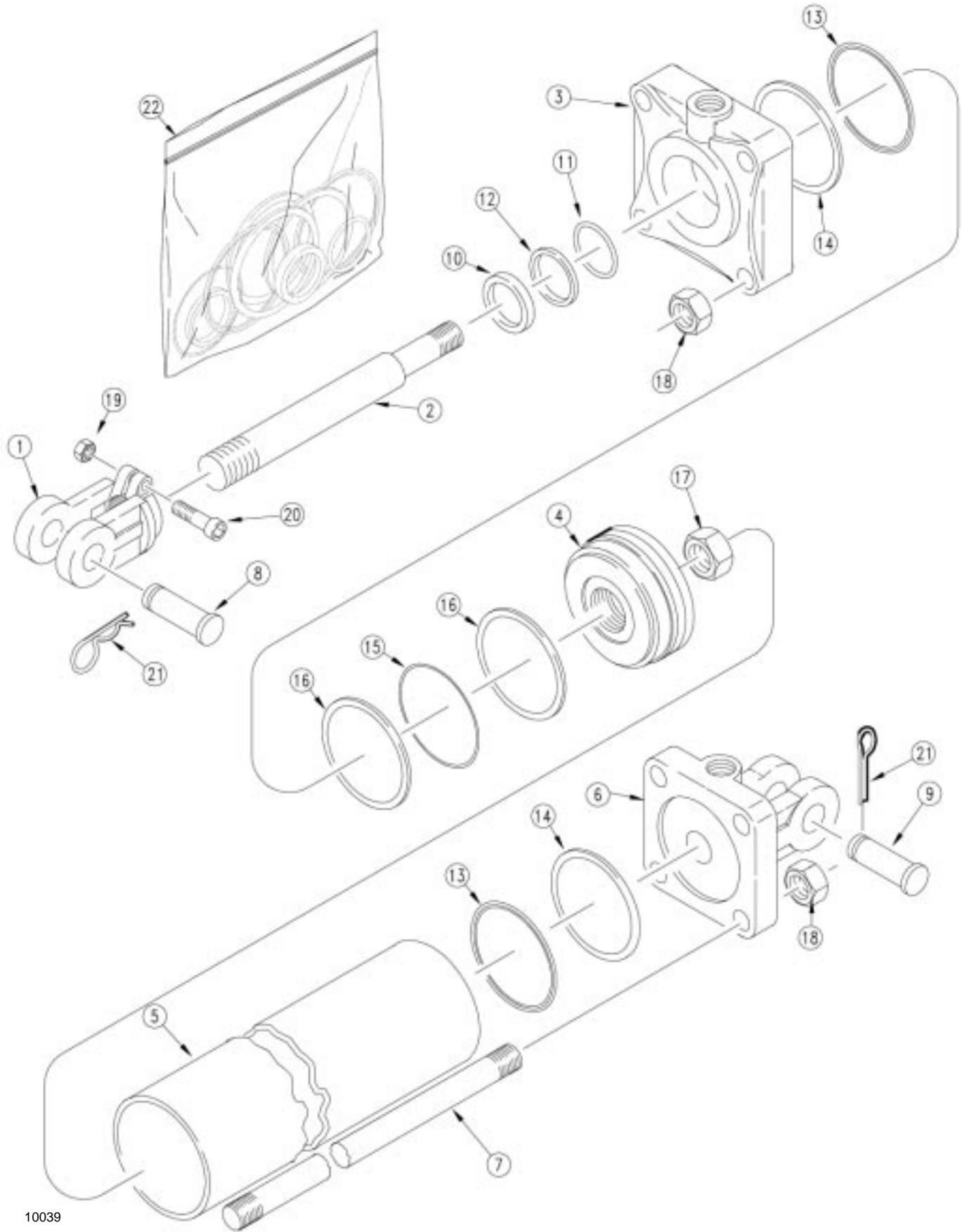
17055

**Midway Hydraulic Cylinder (810-216C)**

Ref.	Part No.	Part Description	Comments
1.	1M7016	CLEVIS ROD MIDWAY	
2.	2M6524	MW ROD	
3.	3R5912	HEAD MIDWAY	
4.	4M6108	MW PISTON	
5.	5M6124	MW TUBE 4 X 16 CYLINDER	
6.	6R5164	BASE MIDWAY	
7.	7M6324	MW TIE ROD 4 X 16 CYLINDER	
8.	2A0208	MW CLEVIS PIN	
9.		WIPER SEAL	Only available in item 20
10.		O-RING	Only available in item 20
11.		BACKUP	Only available in item 20
12.		O-RING	Only available in item 20
13.		BACKUP	Only available in item 20
14.	2A0024	MW PISTON NUT 1-14	
15.	2A0012	MW NUT CLEVIS & TIE ROD	
16.	2A0018	MW TIE ROD NUT	
17.	2A0006	MW CAPSCREW	
18.	2A0132	MW PIN CLIP	
19.	2A0126	MW PLUG	
20.	810-060C	CYL SEAL KIT-810-031C-3A6104	

**Legend:** ● = 1st revision; ● = 2nd revision; ● = 3rd revision; ● = use up existing stock; ⊗ = not interchangeable; ⊗ ① ● = for example: revision 2 is not interchangeable w/revision 1

Midway Hydraulic Cylinder (810-215C)



10039

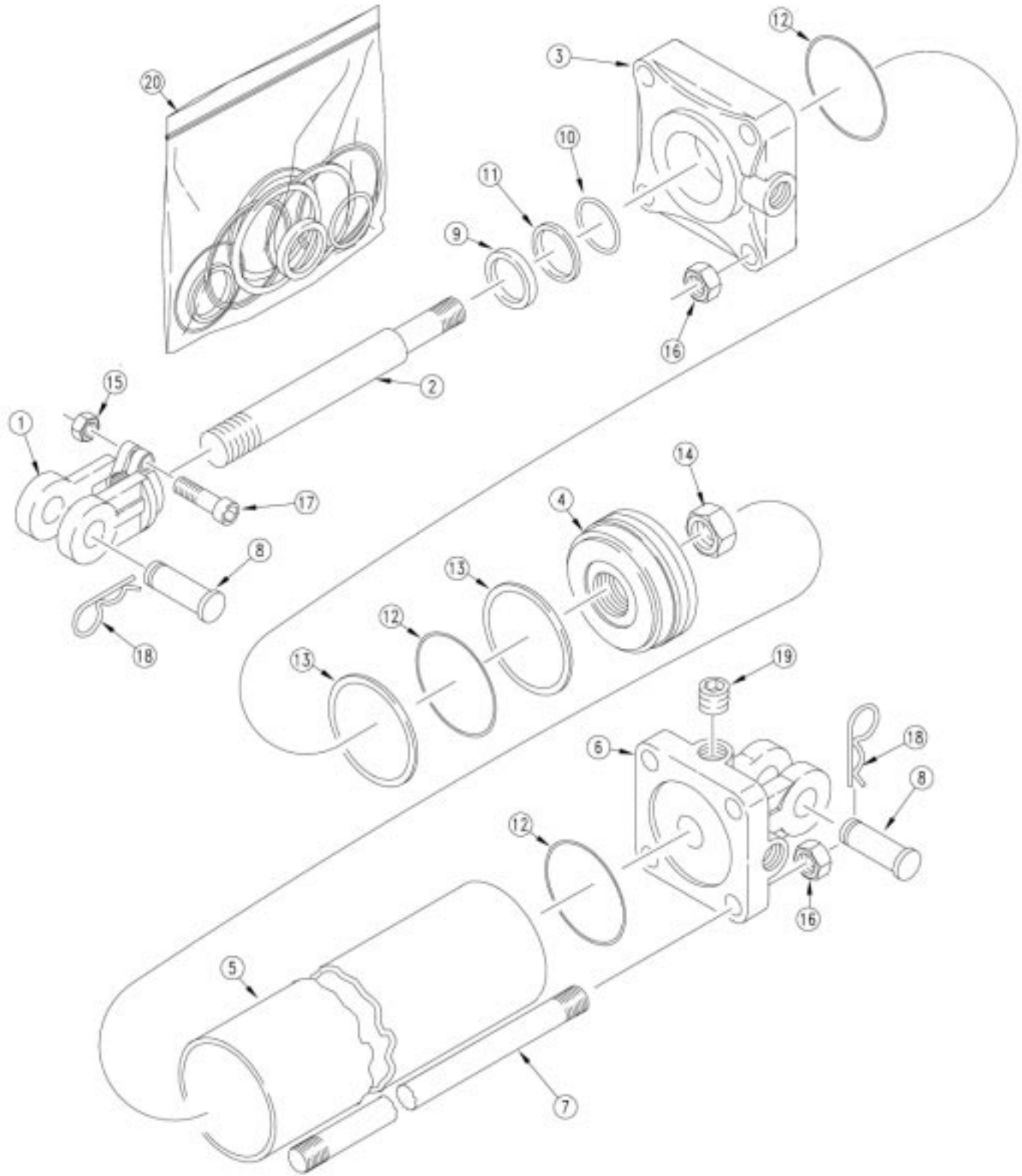


**Midway Hydraulic Cylinder (810-215C)**

Ref.	Part No.	Part Description	Comments
1.	1M7016	CLEVIS ROD MIDWAY	
2.	2M7522	MW ROD	
3.	3R7512	HEAD MIDWAY	
4.	4M7108	MW PISTON	
5.	5M7524	MW TUBE	
6.	6R7164	MW BASE	
7.	7M7324	MW TIE ROD	
8.	2A0208	MW CLEVIS PIN	
9.	2A0209	MW PIN CLEVIS BASE END	
10.		ROD WIPER	Only available in item 22
11.		O-RING	Only available in item 22
12.		BACKUP	Only available in item 22
13.		O-RING	Only available in item 22
14.		BACKUP	Only available in item 22
15.		O-RING	Only available in item 22
16.		BACKUP	Only available in item 22
17.	2A0024	MW PISTON NUT 1-14	
18.	2A0019	TIE ROD NUT MIDWAY	
19.	2A0012	MW NUT CLEVIS & TIE ROD	
20.	2A0006	MW CAPSCREW	
21.	2A0132	MW PIN CLIP	
22.	810-250C	SEAL KIT MW 3A7114	

**Legend:** ● = 1st revision; ● = 2nd revision; ● = 3rd revision; ● = use up existing stock; ⊗ = not interchangeable; ⊗ ① ● = for example: revision 2 is not interchangeable w/revision 1

Midway Hydraulic Cylinder (810-217C)



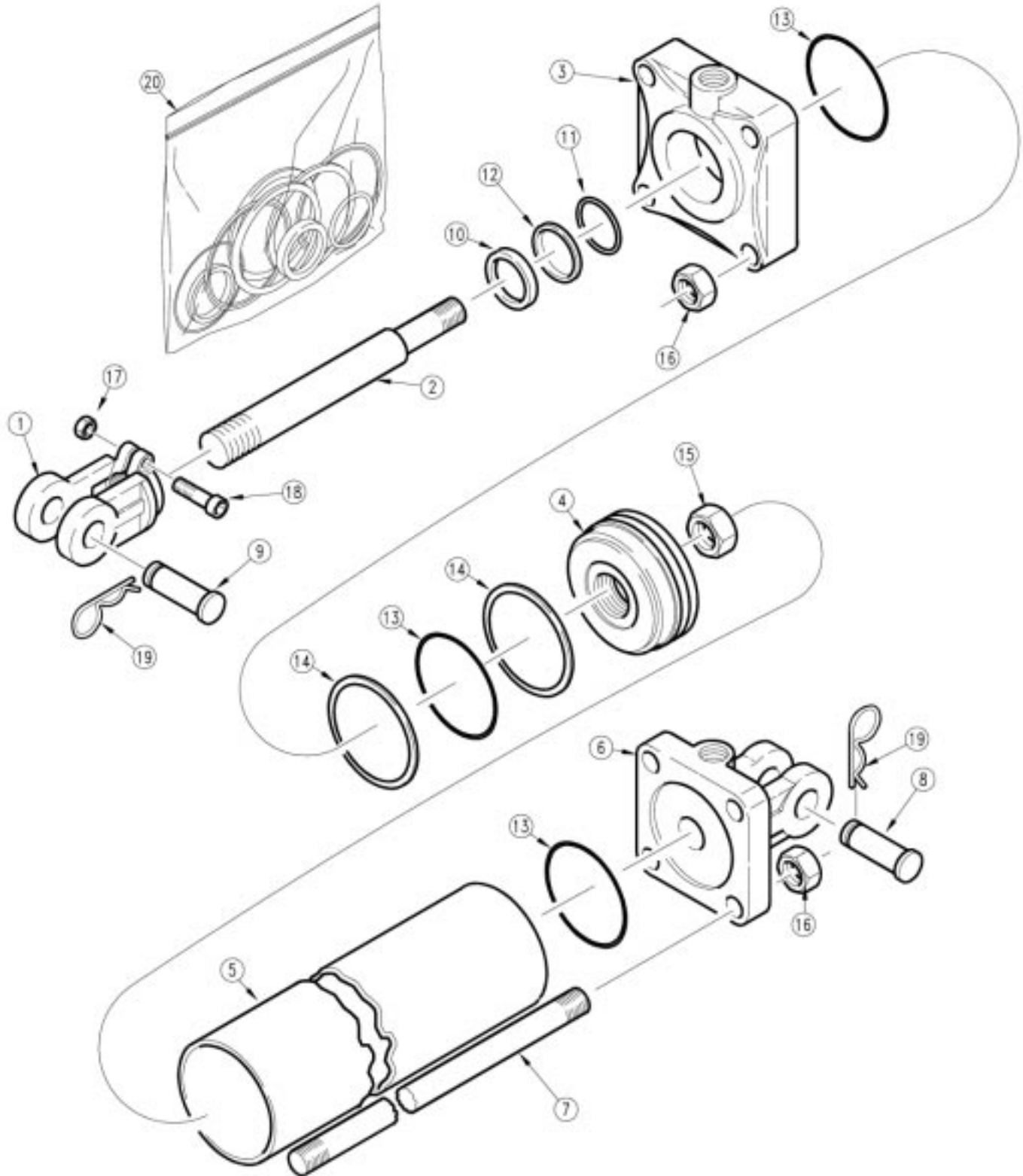
17055

**Midway Hydraulic Cylinder (810-217C)**

Ref.	Part No.	Part Description	Comments
1.	1M7016	CLEVIS ROD MIDWAY	
2.	2M5514	MW ROD	
3.	3R3512	MW HEAD	
4.	4M5102	MW PISTON 3 1/2 DIA.	
5.	5M5116	MW TUBE 3 1/2 X 8 CYLINDER	
6.	6R3164	BASE MIDWAY	
7.	7M5316	MW ROD	
8.	2A0208	MW CLEVIS PIN	
9.		WIPER SEAL	Only available in item 20
10.		O-RING	Only available in item 20
11.		BACKUP	Only available in item 20
12.		O-RING	Only available in item 20
13.		BACKUP	Only available in item 20
14.	2A0024	MW PISTON NUT 1-14	
15.	2A0012	MW NUT CLEVIS & TIE ROD	
16.	2A0016	MW TIE ROD NUT	
17.	2A0006	MW CAPSCREW	
18.	2A0132	MW PIN CLIP	
19.	2A0126	MW PLUG	
20.	810-059C	CYL SEAL KIT-810-030C-3A5104	

**Legend:** ● = 1st revision; ● = 2nd revision; ● = 3rd revision; ● = use up existing stock; ⊗ = not interchangeable; ⊗ ① ● = for example: revision 2 is not interchangeable w/revision 1

Midway Hydraulic Cylinder (810-220C)



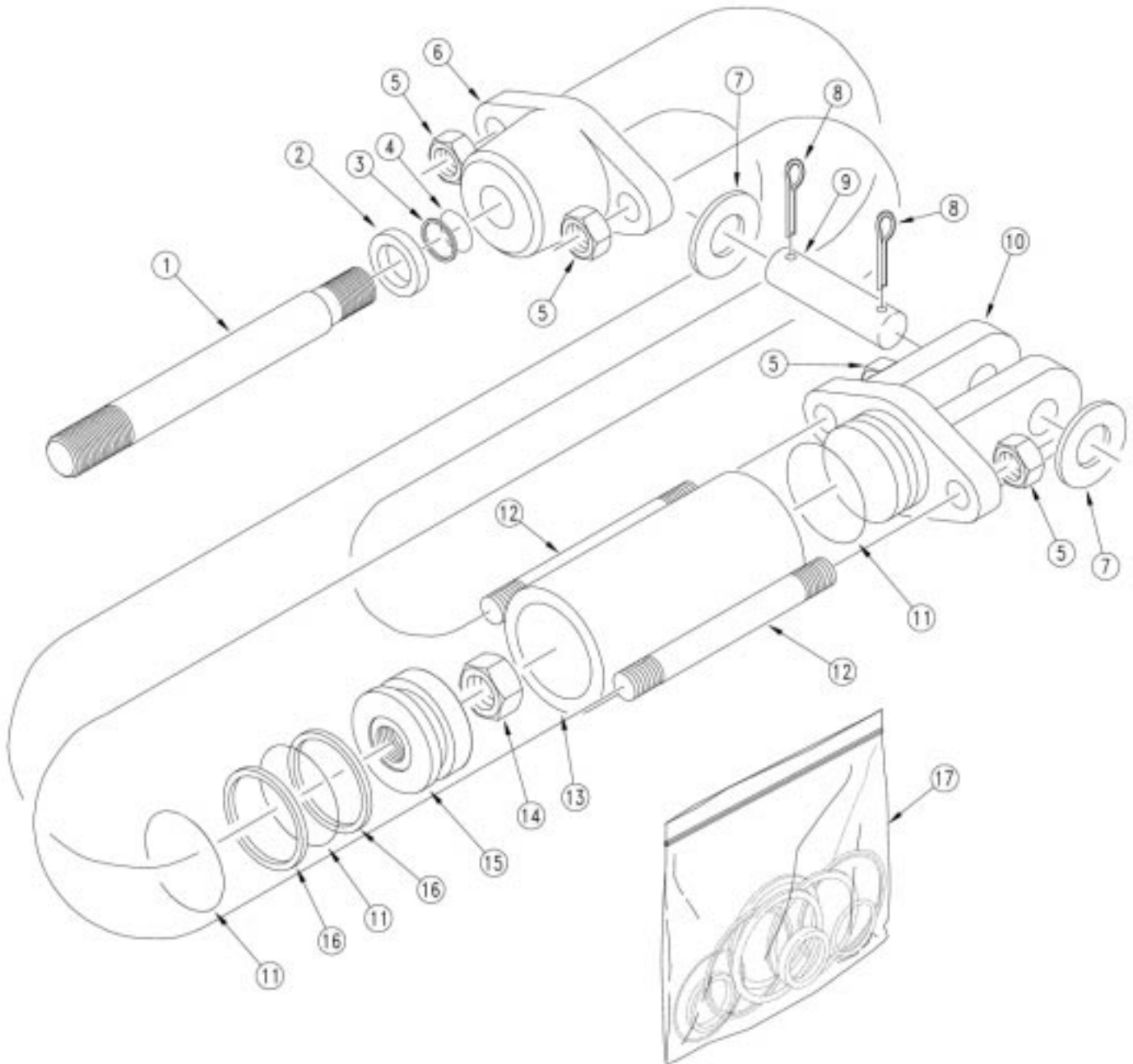
16401

**Midway Hydraulic Cylinder (810-220C)**

Ref.	Part No.	Part Description	Comments
1.	1M7016	CLEVIS ROD MIDWAY	
2.	2M7514	MW ROD	
3.	3R6912	HEAD MIDWAY	
4.	4M7502	MIDWAY 4 1/4 PISTON	
5.	5M7116	MW TUBE 4 1/4 X 8 CYLINDER	
6.	6R6164	BASE MIDWAY	
7.	7M7316	MW TIE ROD	
8.	2A0209	MW PIN CLEVIS BASE END	
9.	2A0208	MW CLEVIS PIN	
10.		WIPER SEAL	Only available in item 20
11.		O-RING	Only available in item 20
12.		BACKUP	Only available in item 20
13.		O-RING	Only available in item 20
14.		BACKUP	Only available in item 20
15.	2A0024	MW PISTON NUT 1-14	
16.	2A0019	TIE ROD NUT MIDWAY	
17.	2A0012	MW NUT CLEVIS & TIE ROD	
18.	2A0006	MW CAPSCREW	
19.	2A0132	MW PIN CLIP	
20.	810-224C	SEAL KIT MW 4.25 CYL 3A7104	

**Legend:** ● = 1st revision; ● = 2nd revision; ● = 3rd revision; ● = use up existing stock; ⊗ = not interchangeable; ⊗ ① ● = for example: revision 2 is not interchangeable w/revision 1

*Midway Hydraulic Cylinder (810-201C)*



12822

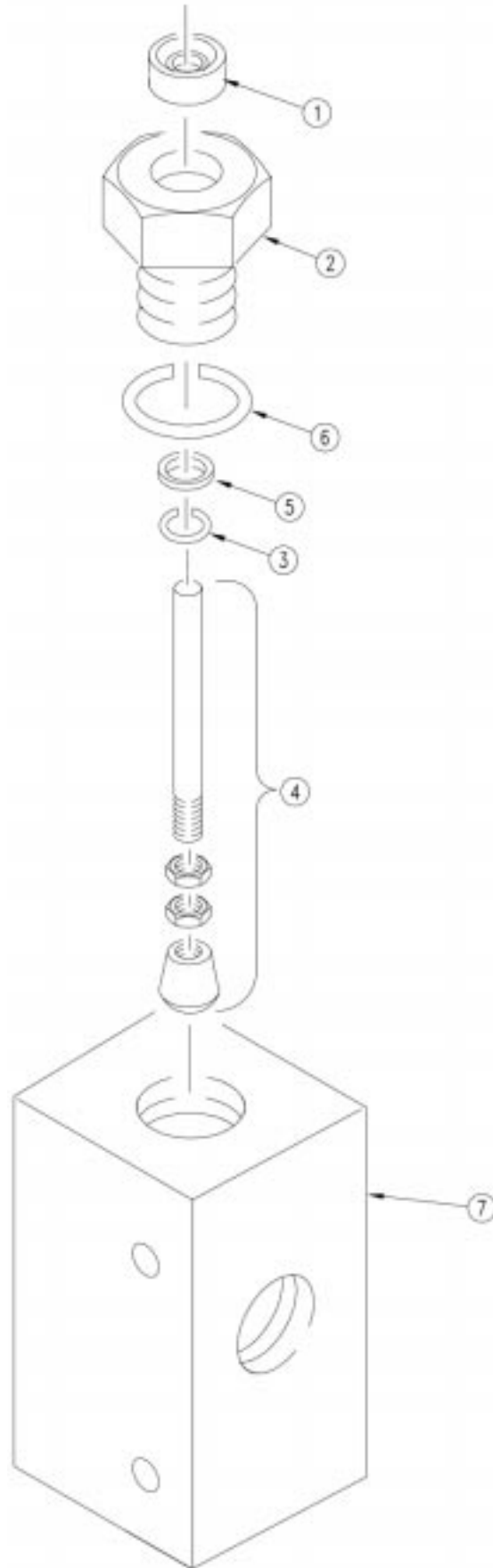
**Midway Hydraulic Cylinder (810-201C)**

Ref.	Part No.	Part Description	Comments
1.	2M1190	MW ROD	
2.		WIPER SEAL	Only available in item 17
3.		BACKUP	Only available in item 17
4.		O-RING	Only available in item 17
5.	2A0014	MW TIE ROD NUT	
6.	3M1108	MW HEAD	
7.	804-021C	WASHER FLAT 5/8 SAE PLT	
8.	2A0130	MW COTTER PIN	
9.	2A0202	MW CLEVIS PIN	
10.	6M1108	MW BASE	
11.		O-RING	Only available in item 17
12.	7M1302	MW TIE ROD	
13.	5M1103	MW TUBE	
14.	2A0018	MW TIE ROD NUT	
15.	4M1102	MW PISTON	
16.		BACKUP	Only available in item 17
17.	810-249C	SEAL KIT MW 3A1102	

**Legend:** ● = 1st revision; ● = 2nd revision; ● = 3rd revision; ● = use up existing stock; ⊗ = not interchangeable; ⊗ ① ● = for example: revision 2 is not interchangeable w/revision 1



**Hydraulic Shut-Off Valve (810-084C)**



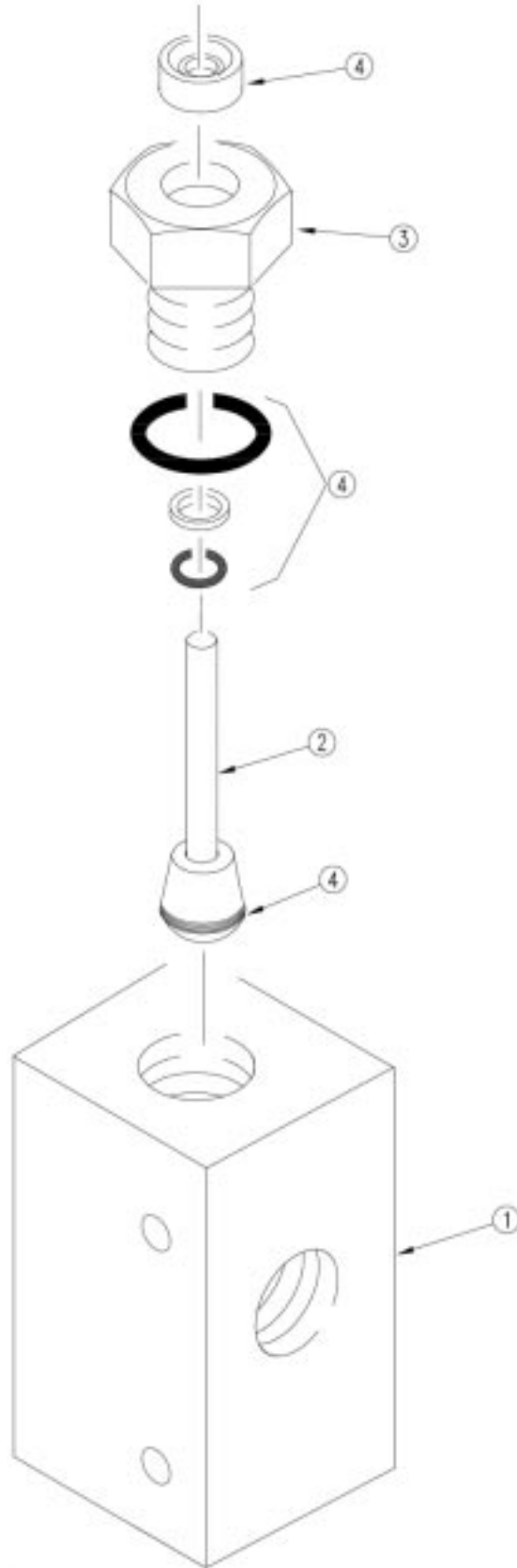
11111

**Hydraulic Shut-Off Valve (810-084C)**

Ref.	Part No.	Part Description	Comments
1.	199098	MONARCH WIPER SEAL	
2.	494665	MONARCH ROD CAP	
3.	198509	MONARCH O-RING 010	
4.	491509	MONARCH POPPET SUB-ASSEMBLY	
5.	197812	MONARCH BACK UP WASHER	
6.	198581	MONARCH O-RING 115	
7.	492544	MONARCH STROKE CONTROL VALVE	

**Legend:** ① = 1st revision; ② = 2nd revision; ③ = 3rd revision; ● = use up existing stock; ⊗ = not interchangeable; ⊗ ① ② = for example: revision 2 is not interchangeable w/revision 1

**Stroke Control Valve (810-445C)**



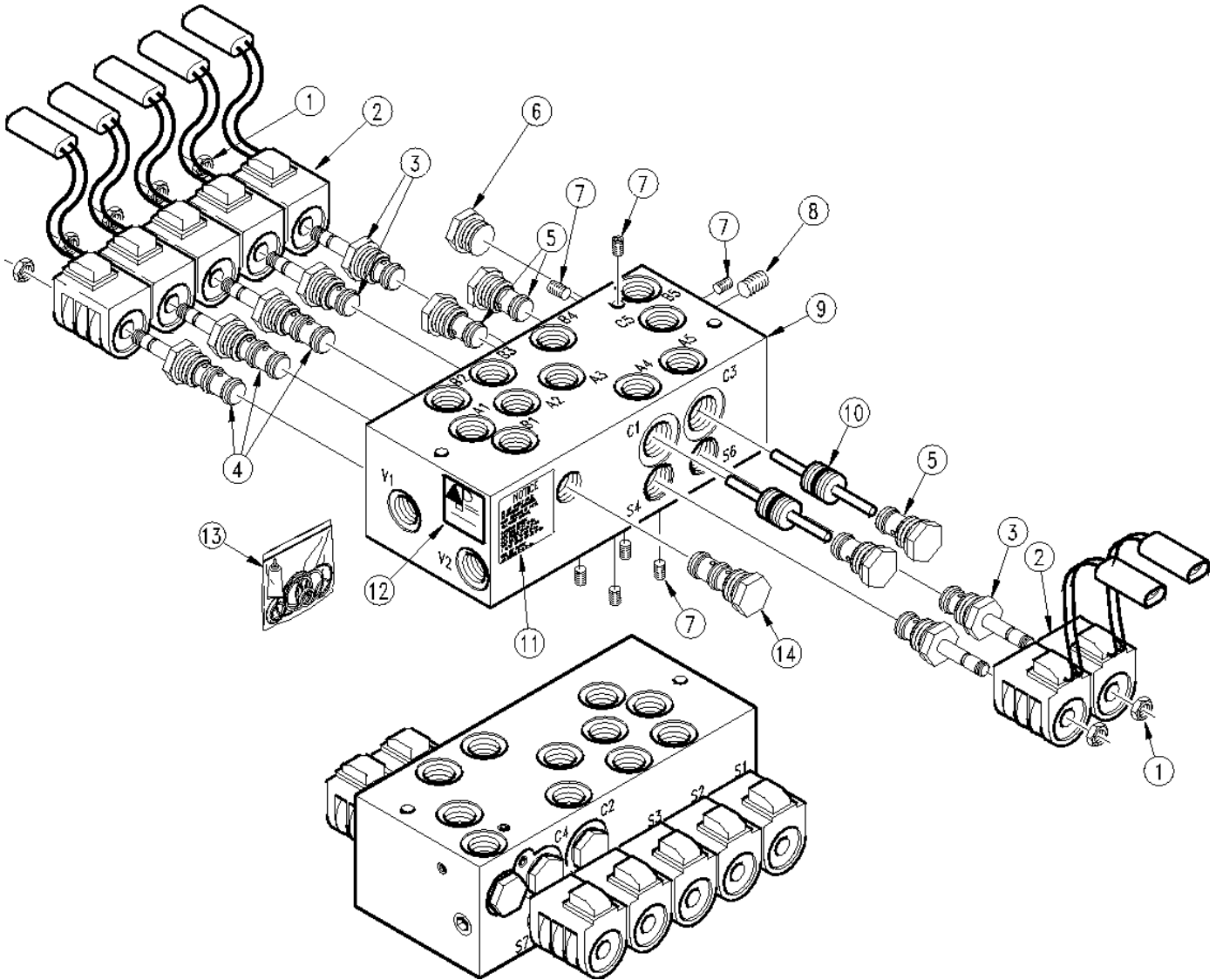
19650

**Stroke Control Valve (810-445C)**

Ref.	Part No.	Part Description	Comments
1.	5396	BODY	
2.	5397	PISTON, WITH O-RING	
3.	8062	PLUG, ADAPTER, ASM.	
4.	810-446C	SEAL KIT 5398 810-445C	

**Legend:** ① = 1st revision; ② = 2nd revision; ③ = 3rd revision; ● = use up existing stock; ⊗ = not interchangeable; ⊗ ① ② = for example: revision 2 is not interchangeable w/revision 1

Valve Manifold (810-237C)



12823

**Valve Manifold (810-237C)**

Ref.	Part No.	Part Description	Comments
1.	803-059C	NUT HEX JAM 1/2-20 PLT	
2.	39680008	DELTA COIL 12VDC W CONN	
3.	85002356	DELTA ZW NC VALVE	
4.	85002335	DELTA 4W2P CL GEN VALVE	
5.	85002006	DELTA CHECK VALVE	
6.	811-491C	PL 7/8 MORB HOLOW HEX	
7.	61010001	DELTA 1/8 NPTF PLUG	
8.	61010012	DELTA 3/8 NPTF PLUG	
9.	30102629	DELTA MANIFOLD	
10.	34952067	DELTA PILOT PISTON ASSY	
11.	62010053	DELTA NOTICE TAG	
12.	62010018	DELTA MANIFOLD TAG	
13.		SEAL KIT FOR CARTRIDGE VALVES	Refer to the illustrations below for proper seal kit identification.
14.	810-293C	VALVE P O CHECK DELTA 85002692	

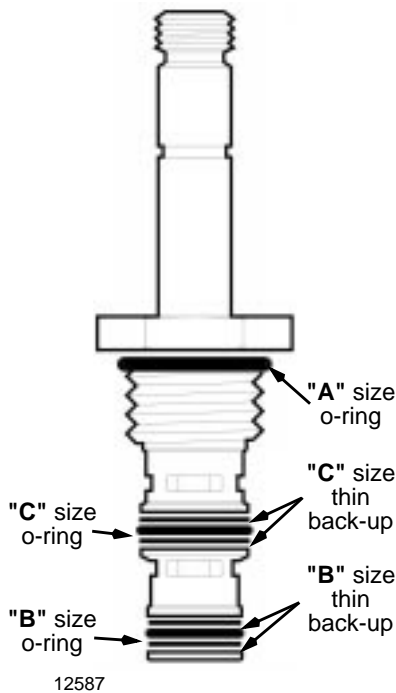
NOTE: Each o-ring kit contains all of the o-rings for the series of valve on which it is used. Not all of the seals will be used on every valve.

Each kit also contains a packet of sealant which is to be used on the threads of the valve when it is re-installed into the manifold.

**Seal Kits For Manifold Valves**  
 Refer to page 9-61, for Full Scale O-Ring/Back-up Ring Identification Chart

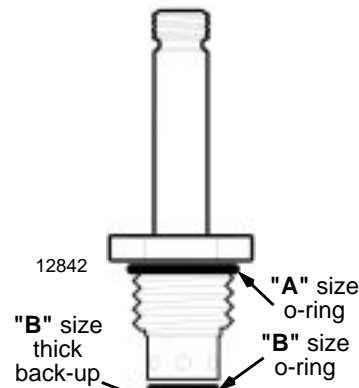
**4W2P Valve**

Use Seal Kit 21170040  
 (Ref. Item #4)



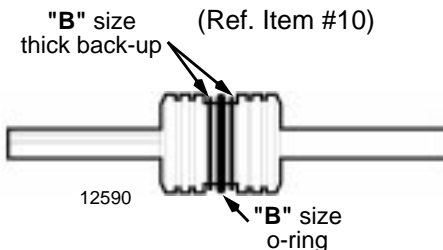
**2W NC Valve**

Use Seal Kit 21170040  
 (Ref. Item #3)



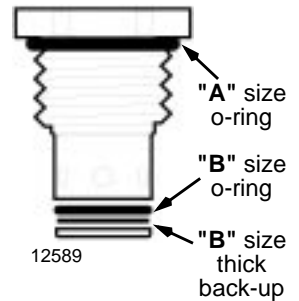
**Piston Valve**

Use Seal Kit 21170040  
 (Ref. Item #10)



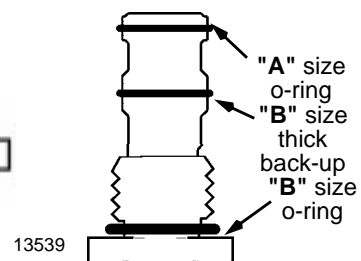
**Check Valve**

Use Seal Kit 21170040  
 (Ref. Item #5)



**P.O. Check Valve**

Use Seal Kit 85002657 (Ref. Item #14)



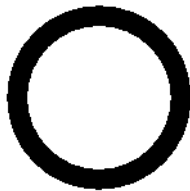
Legend: ● = 1st revision; ● = 2nd revision; ● = 3rd revision; ● = use up existing stock; ⊗ = not interchangeable; ⊗ ⊕ ● = for example: revision 2 is not interchangeable w/revision 1

## O-Ring Identification Chart

(Match o-rings and back-up rings to full size illustrations below for identification.)

**21170040**

**For 3/4"-16 Series Valves**



**A**

OD .949  
ID .754



**B**

OD .629  
ID .489



**C**

OD .691  
ID .551



**D**

OD .754  
ID .614

Scale: 1=1

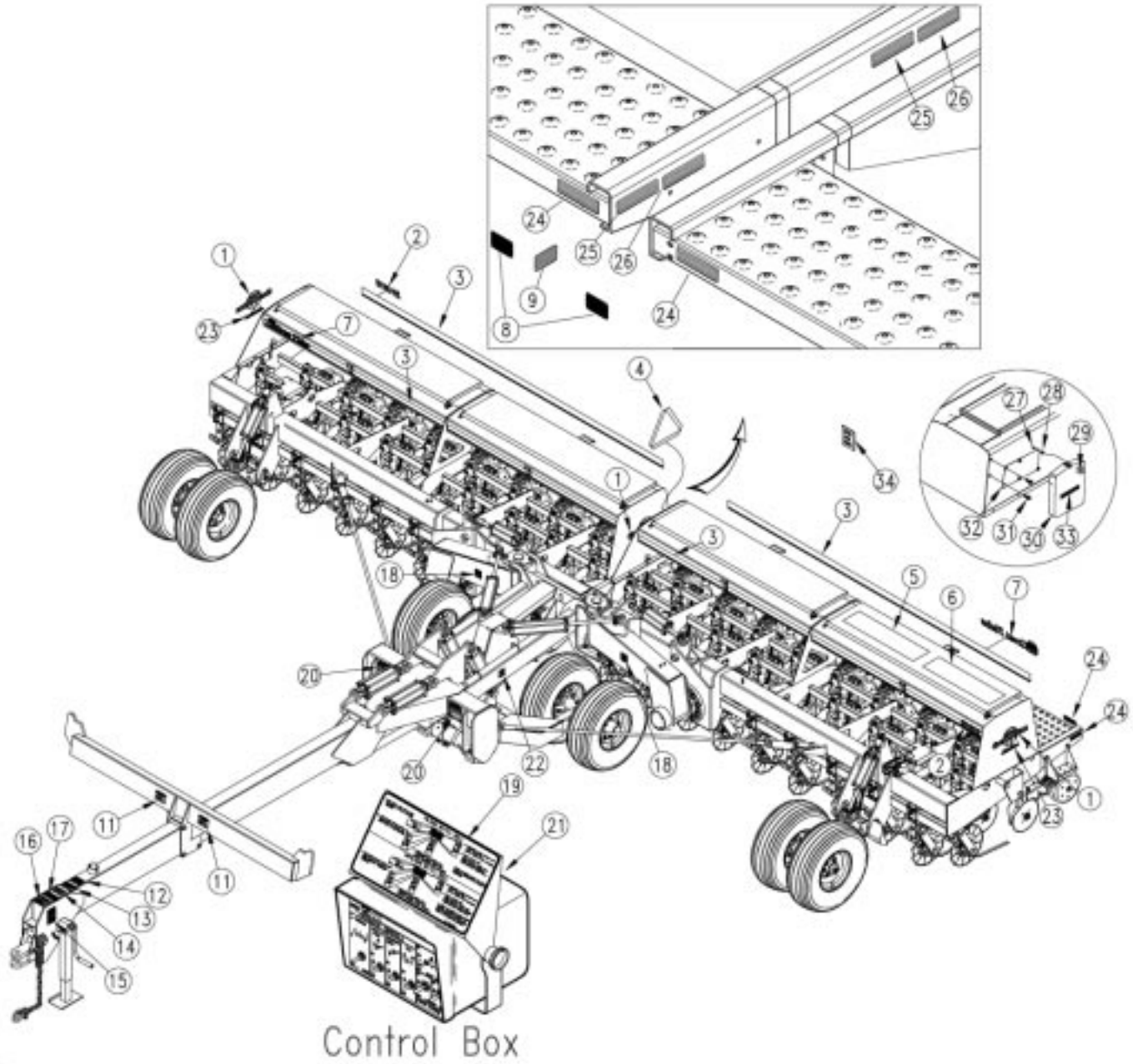


**Seal Kits for Depth Control Valve**

Ref.	Part No.	Part Description	Comments
	⊕ 500-090B	SEAL KIT 7/8-14 DELTA W/ LTITE	Includes two of the thin Backup Rings, sizes B, C and D. One of the thick Backup Rings, sizes C and D. Two of the thick Backup Rings, size B. One of the O-Rings, sizes A, B, C and D. And one packet of thread sealant for the valve threads.
	● ⊕ 810-228C	OBS & REPLACED BY 500-090B	
	● ① 21170040	REPLACED BY 810-228C	

**Legend:** ● = 1st revision; ⊕ = 2nd revision; ⊕ = 3rd revision; ● = use up existing stock; ⊗ = not interchangeable; ⊗ ① ⊕ = for example: revision 2 is not interchangeable w/revision 1

*Decal Placement*



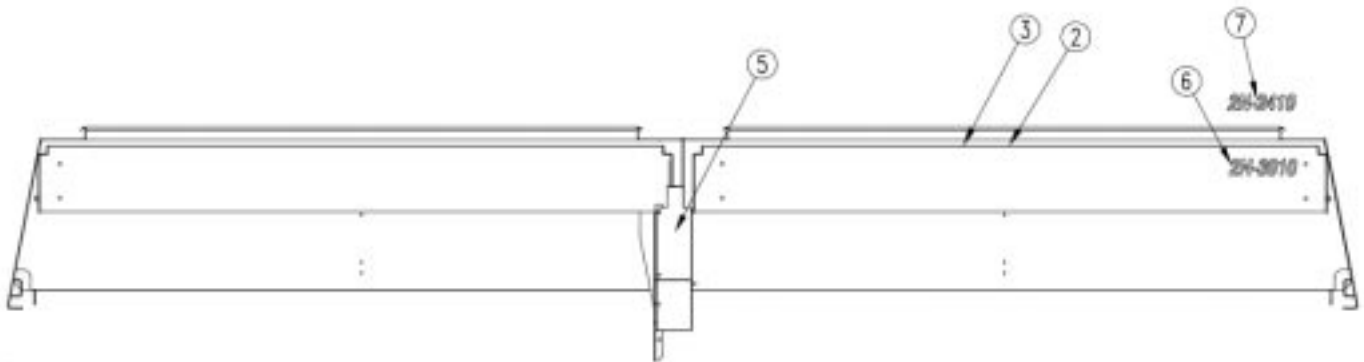
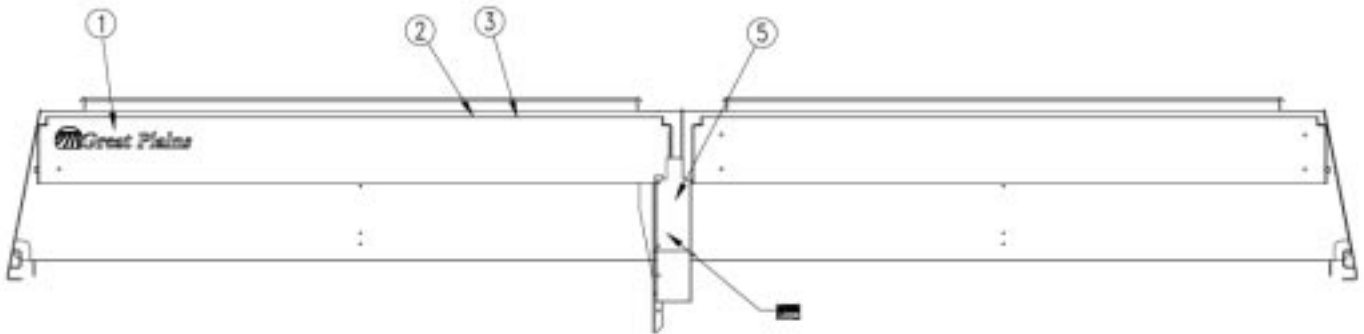
14569

**Decal Placement**

Ref.	Part No.	Part Description	Comments
1.	⊗ 838-228C	DECAL GREAT PLAINS ON LOGO SML	2000 and above.
	① 818-413C	DECAL GREAT PLAINS ON LOGO	1999 and below.
2.	⊗ 838-195C	DECAL 2N-3010	2000 and above.
	① 818-434C	DECAL SOLID STAND 3010 NT	1999 and below.
	⊗ 838-193C	DECAL 2N-2410	2000 and above.
	① 818-435C	DECAL SOLID STAND 2410 NT	1999 and below.
3.	⊗ 838-160C	DECAL 3 COLOR STRIPE 2.50 WIDE	2000 and above.
	① 818-414C	DECAL W/ 4 COLOR STRIPE	1999 and below.
4.	818-003C	DECAL SLOW MOVING VEHICLE	
5.	818-346C	DECAL 93-2SNT SEED RATE 2 OF 2	2003 and below
6.	818-345C	DECAL 93-2SNT SEED RATE 1 OF 2	2003 and below
7.	⊗ 838-161C	DECAL LOGO&GP F/STRIPE 4 X 24	2000 and above.
	① 818-415C	DECAL GP W/ LOGO AND STRIPE	1999 and below.
8.	818-229C	DECAL AMBER REFLECTOR	
9.	818-230C	DECAL RED REFLECTOR	
10.	818-412C	DECAL GREAT PLAINS W/ LOGO	No longer available. 1999 and below.
11.	818-045C	DECAL WARNING PINCH PT/CRUSH	
12.	818-043C	DECAL LIFT CYL OPERATING INSTR	
13.	818-188C	DECAL WARNING 20 MPH TRANS LRG	
14.	818-020C	DECAL CAUTION TIRE DAMAGE HAZ	
15.	818-078C	DECAL CAUTION FP-HC-MF-24&30	
16.	818-019C	DECAL WARNING NEG TONGUE WT	
17.	818-475C	DECAL WARNING 30'TONGUE WEIGHT	
	818-476C	DECAL WARNING 24'TONGUE WEIGHT	
18.	818-398C	DECAL CAUTION TIRES NOT A STEP	
19.	818-508C	DECAL 2SNT FOLDING INSTRUCT.	
20.	818-477C	DECAL TRANSPORT LOCK WARNING	
21.	196-362D	DECAL MOUNTING BRACKET	
22.	818-748C	DECAL 2SNT DEPTH STOP	
23.	838-158C	DECAL SCRIPT SOLID STAND SMALL	2000 and above.
24.	838-265C	DECAL REFLECTOR AMBER 1 1/2 x 9	2001+
25.	838-266C	DECAL REFLECTOR RED 1 1/2 x 9	2001+
26.	838-367C	DECAL REFLECTOR DAYIME 1 1/2 x 9	2001+
27.	802-004C	HHCS 1/4-20X3/4 GR5	
28.	817-042C	MINI END WHEEL PRESS WHEEL	
29.	803-293C	NUT HEX FLNG T-LOCK 1/4-20 PLT	
30.	817-516C	MANUAL PAK 1" W/ GASKET	
31.	802-203C	HFSS 1/2-13X1 1/2 GR5	
32.	248-251D	MANUAL PAK MOUNTING PLATE	2004 and above.
33.	838-482C	DECAL GP PLANTING COMPONENTS	
34.	196-126B	2SNT SEEDRATE BOOK	

**Legend:** ① = 1st revision; ⊗ = 2nd revision; ⊕ = 3rd revision; ● = use up existing stock; ⊗ = not interchangeable; ⊗ ① ⊕ = for example: revision 2 is not interchangeable w/revision 1

*Small Seeds Decal Placement (Option)*



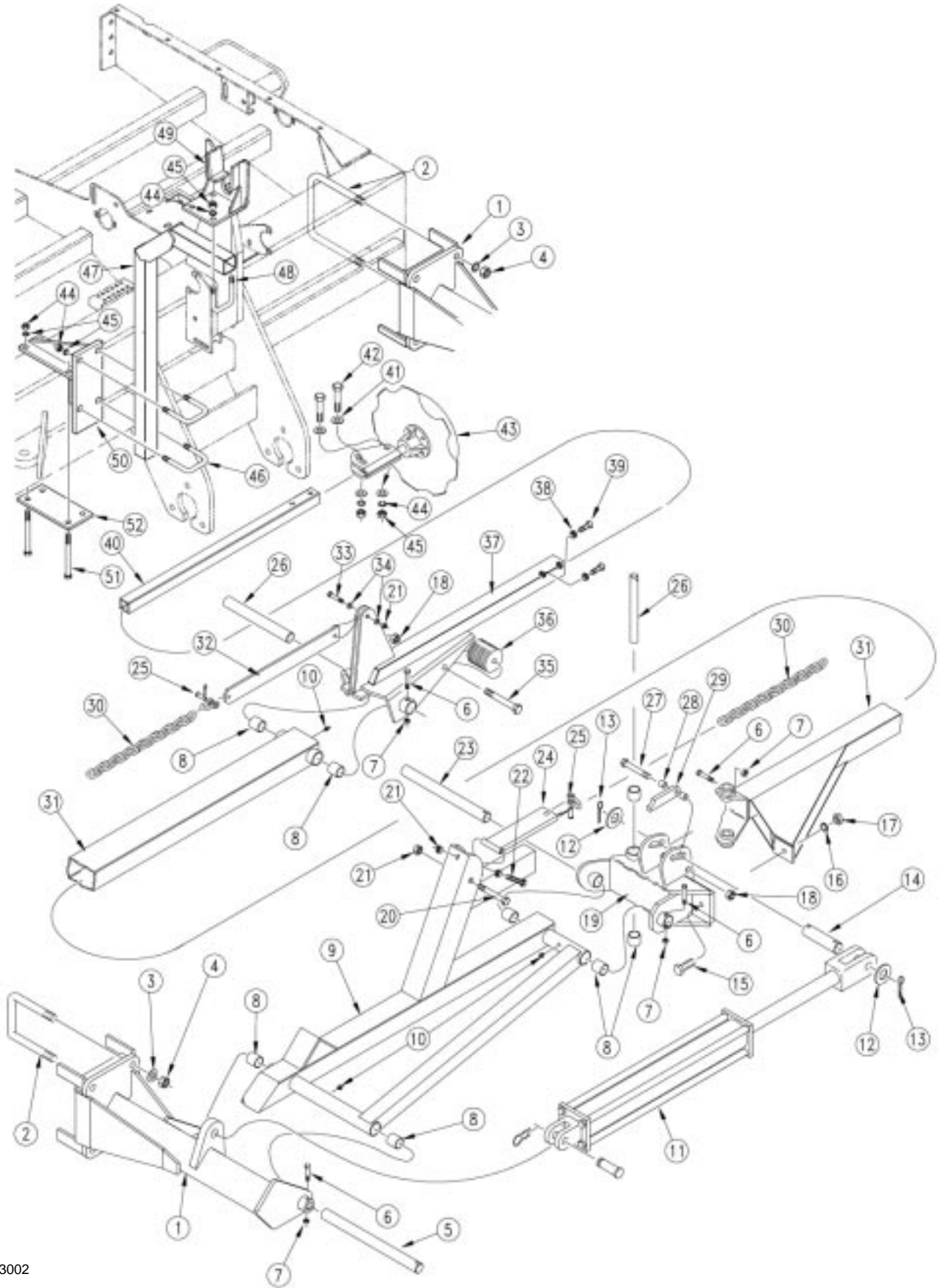
18831

**Small Seeds Decal Placement (Option)**

Ref.	Part No.	Part Description	Comments
1.	⊗ 838-161C	DECAL LOGO&GP F/STRIPE 4 X 24	2000 and above.
	Ⓛ 818-415C	DECAL GP W/ LOGO AND STRIPE	1999 and below.
2.	818-207C	DECAL-GRSSDR SD RATE ADJ INST	
3.	818-031C	DECAL GRASS SEEDER SEED RATE	
4.	818-414C	DECAL W/ 4 COLOR STRIPE	
5.	818-205C	DECAL WARNING MOVING PARTS HAZ	
6.	⊗ 838-195C	DECAL 2N-3010	2000 and above.
	Ⓛ 818-434C	DECAL SOLID STAND 3010 NT	1999 and below.
7.	⊗ 838-193C	DECAL 2N-2410	2000 and above.
	Ⓛ 818-435C	DECAL SOLID STAND 2410 NT	1999 and below.

**Legend:** Ⓛ = 1st revision; ⊗ = 2nd revision; ⊕ = 3rd revision; ● = use up existing stock; ⊗ = not interchangeable; ⊗ ⊕ ⊗ = for example: revision 2 is not interchangeable w/revision 1

30' Drill Flat Fold Marker



13002

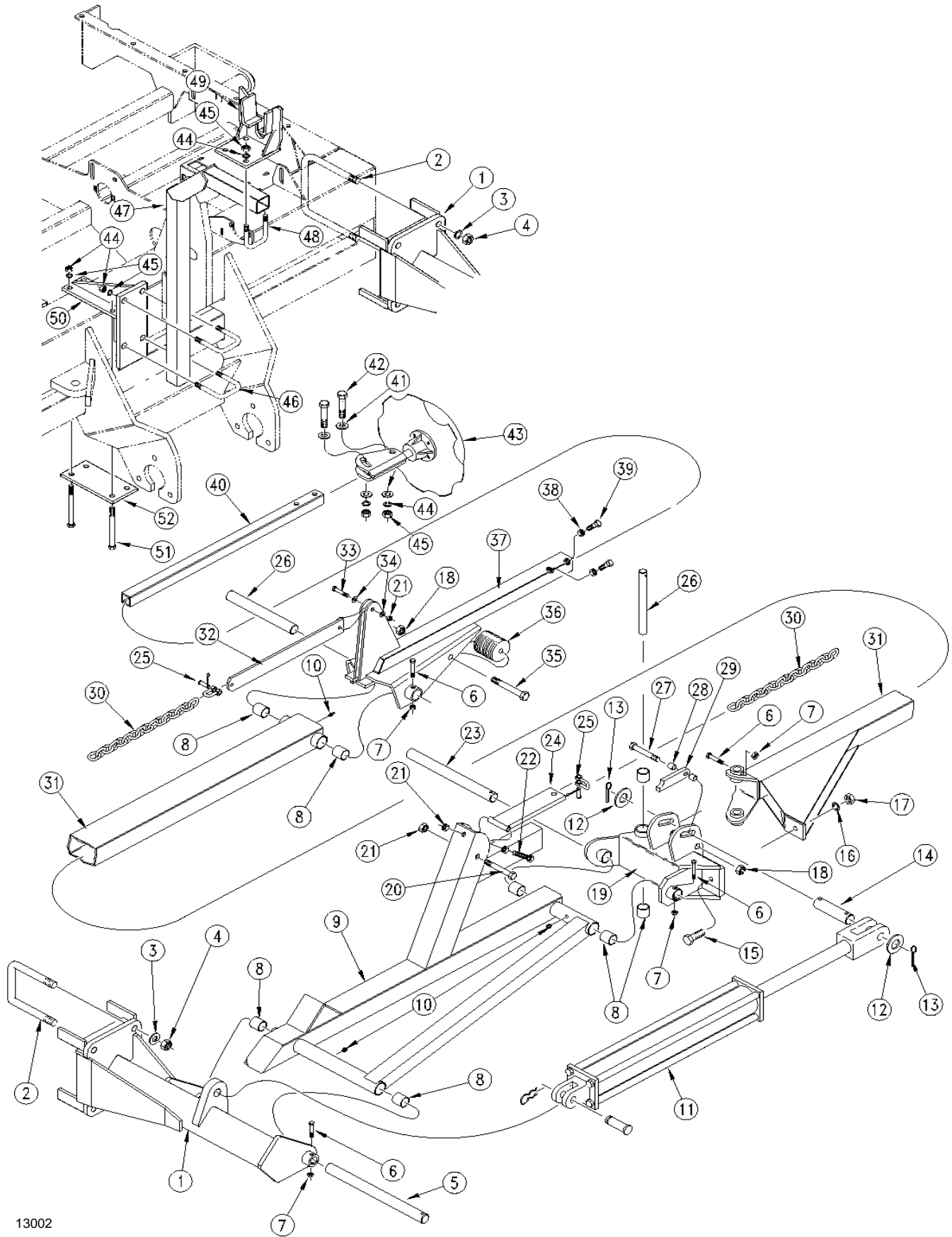
**30' Drill Flat Fold Marker**

Ref.	Part No.	Part Description	Comments
1.	113-381H	2SNT L.H. MARKER MOUNT WMNT	
	113-382H	2SNT R.H. MARKER MOUNT WMNT	
2.	806-037C	U-BOLT 3/4-10 X 8 1/16 X 9 1/2	
3.	804-023C	WASHER LOCK SPRING 3/4 PLT	
4.	803-027C	NUT HEX 3/4-10 PLT	
5.	113-312D	FIRST PIVOT SHAFT	
6.	802-115C	HHCS 5/16-18X2 GR5	
7.	803-011C	NUT LOCK 5/16-18 PLT	
8.	890-005C	BUSHING CYL 1 1/4 X 1 X 1	
9.	113-180H	LH FIRST SECTION	
	113-188H	RH FIRST SECTION	
10.	800-001C	GREASE ZERK STRAIGHT 1/4-28	
11.	810-118C	CYL 2.5X20X1.12 ROD (TIE)1 PIN	Refer to page 11-11 for breakdown.
12.	804-029C	WASHER FLAT 1 SAE	
13.	805-058C	PIN COTTER 3/16 X 2	
14.	113-248D	MARKER CYLINDER PIN BODY	
15.	802-234C	HHCS 7/16-14X2 1/4 GR5	
16.	804-014C	WASHER LOCK 7/16 PLT	
17.	803-015C	NUT HEX 7/16-14 PLT	
18.	803-019C	NUT LOCK 1/2-13 PLT	
19.	113-350H	NO-TILL BREAKAWAY JOINT LH	
	113-351H	NO-TILL BREAKAWAY JOINT RH	
20.	802-168C	HHCS 3/8-16X3 1/4 GR5	
21.	803-013C	NUT LOCK 3/8-16 PLT	
22.	802-261C	HHCS 3/8-16X2 1/2 GR5 FTHD	
23.	113-313D	SECOND PIVOT SHAFT	
24.	113-200H	CHAIN BAR WELDMENT	
25.	890-018C	UTILITY CLEVIS 5/16	
26.	113-311D	HINGE PIN	
27.	802-201C	HHCS 1/2-13X4 3/4 GR5	
28.	113-325D	STOP BUSHING	
29.	113-324D	CYLINDER STOP	
30.	113-319D	MARKER CHAIN 30'	
31.	113-341H	NO-TILL MARKER 30' 2ND SECTION	
32.	113-323D	CHAIN BAR	
33.	802-022C	HHCS 3/8-16X1 1/2 GR5	
34.	804-011C	WASHER FLAT 3/8 USS PLT	
35.	802-260C	HHCS 1/2-13X7 GR5	
36.	113-398D	RUBBER TUBE RD 3 OD X 5 LONG	
37.	113-343H	NO-TILL MARKER 30' 3RD SECTION	
38.	803-036C	NUT HEX JAM 1/2-13 PLT	
39.	801-013C	SCREW SET SQ HD 1/2-13X1 1/2G5	
40.	113-378D	NO-TILL 30' 4TH SECT TUBE	
41.	804-017C	WASHER FLAT 1/2 USS PLT	
42.	802-042C	HHCS 1/2-13X3 3/4 GR5	
43.	113-360S	NOTILL MRKR DSK & 4BLT HUB ASY	Refer to page 11-5 for breakdown.
44.	804-015C	WASHER LOCK SPRING 1/2 PLT	
45.	803-020C	NUT HEX 1/2-13 PLT	
46.	806-023C	U-BOLT 1/2-13 X 2 1/32 X 3 1/4	
47.	113-197H	MARKER CARRIER	
48.	806-005C	U-BOLT 1/2-13 X 2 X 3 GR 5	
49.	113-365H	NO-TILL SADDLE REST WELDMENT	
50.	113-316H	MARKER TRNSPT ARM MOUNT WLDMT	
51.	802-048C	HHCS 1/2-13X9 1/2 GR5	
52.	113-555D	MARKER MOUNT PLATE	

Legend: ● = 1st revision; ● = 2nd revision; ● = 3rd revision; ● = use up existing stock; ⊗ = not interchangeable; ⊗ ⊕ ● = for example: revision 2 is not interchangeable w/revision 1



24' Drill Flat Fold Marker



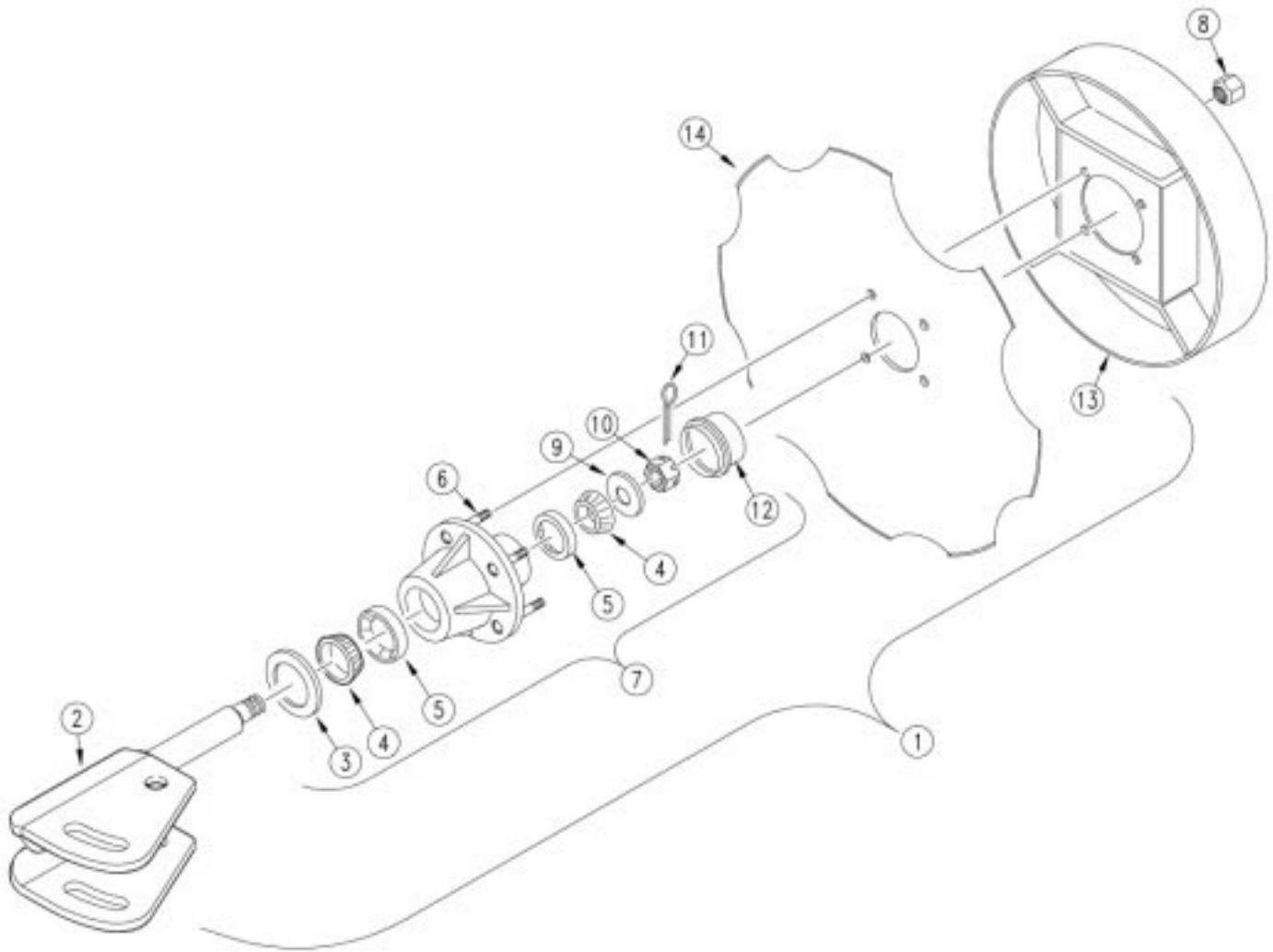
13002

**24' Drill Flat Fold Marker**

Ref.	Part No.	Part Description	Comments
1.	113-381H	2SNT L.H. MARKER MOUNT WMNT	
	113-382H	2SNT R.H. MARKER MOUNT WMNT	
2.	806-037C	U-BOLT 3/4-10 X 8 1/16 X 9 1/2	
3.	804-023C	WASHER LOCK SPRING 3/4 PLT	
4.	803-027C	NUT HEX 3/4-10 PLT	
5.	113-312D	FIRST PIVOT SHAFT	
6.	802-115C	HHCS 5/16-18X2 GR5	
7.	803-011C	NUT LOCK 5/16-18 PLT	
8.	890-005C	BUSHING CYL 1 1/4 X 1 X 1	
9.	113-180H	LH FIRST SECTION	
	113-188H	RH FIRST SECTION	
10.	800-001C	GREASE ZERK STRAIGHT 1/4-28	
11.	810-118C	CYL 2.5X20X1.12 ROD (TIE)1 PIN	Refer to page 11-11 for breakdown.
12.	804-029C	WASHER FLAT 1 SAE	
13.	805-058C	PIN COTTER 3/16 X 2	
14.	113-248D	MARKER CYLINDER PIN BODY	
15.	802-234C	HHCS 7/16-14X2 1/4 GR5	
16.	804-014C	WASHER LOCK 7/16 PLT	
17.	803-015C	NUT HEX 7/16-14 PLT	
18.	803-019C	NUT LOCK 1/2-13 PLT	
19.	113-350H	NO-TILL BREAKAWAY JOINT LH	
	113-351H	NO-TILL BREAKAWAY JOINT RH	
20.	802-168C	HHCS 3/8-16X3 1/4 GR5	
21.	803-013C	NUT LOCK 3/8-16 PLT	
22.	802-261C	HHCS 3/8-16X2 1/2 GR5 FTHD	
23.	113-313D	SECOND PIVOT SHAFT	
24.	113-200H	CHAIN BAR WELDMENT	
25.	890-018C	UTILITY CLEVIS 5/16	
26.	113-311D	HINGE PIN	
27.	802-201C	HHCS 1/2-13X4 3/4 GR5	
28.	113-325D	STOP BUSHING	
29.	113-324D	CYLINDER STOP	
30.	113-328D	24' MARKER CHAIN	
31.	113-342H	NO-TILL MARKER 24' 2ND SECTION	
32.	113-323D	CHAIN BAR	
33.	802-022C	HHCS 3/8-16X1 1/2 GR5	
34.	804-011C	WASHER FLAT 3/8 USS PLT	
35.	802-260C	HHCS 1/2-13X7 GR5	
36.	113-398D	RUBBER TUBE RD 3 OD X 5 LONG	
37.	113-344H	NO-TILL MARKER 24' 3RD SECTION	
38.	803-036C	NUT HEX JAM 1/2-13 PLT	
39.	801-013C	SCREW SET SQ HD 1/2-13X1 1/2G5	
40.	113-379D	NO-TILL 24' 4TH SECT TUBE	
41.	804-017C	WASHER FLAT 1/2 USS PLT	
42.	802-041C	HHCS 1/2-13X3 1/2 GR5	
43.	113-360S	NOTILL MRKR DSK & 4BLT HUB ASY	Refer to page 11-5 for breakdown.
44.	804-015C	WASHER LOCK SPRING 1/2 PLT	
45.	803-020C	NUT HEX 1/2-13 PLT	
46.	806-023C	U-BOLT 1/2-13 X 2 1/32 X 3 1/4	
47.	113-197H	MARKER CARRIER	
48.	806-005C	U-BOLT 1/2-13 X 2 X 3 GR 5	
49.	113-365H	NO-TILL SADDLE REST WELDMENT	
50.	113-316H	MARKER TRNSPT ARM MOUNT WLDMT	
51.	802-048C	HHCS 1/2-13X9 1/2 GR5	
52.	113-555D	MARKER MOUNT PLATE	

Legend: ● = 1st revision; ● = 2nd revision; ● = 3rd revision; ● = use up existing stock; ⊗ = not interchangeable; ⊗ ⊕ ● = for example: revision 2 is not interchangeable w/revision 1

*Marker Disk and Bearings*



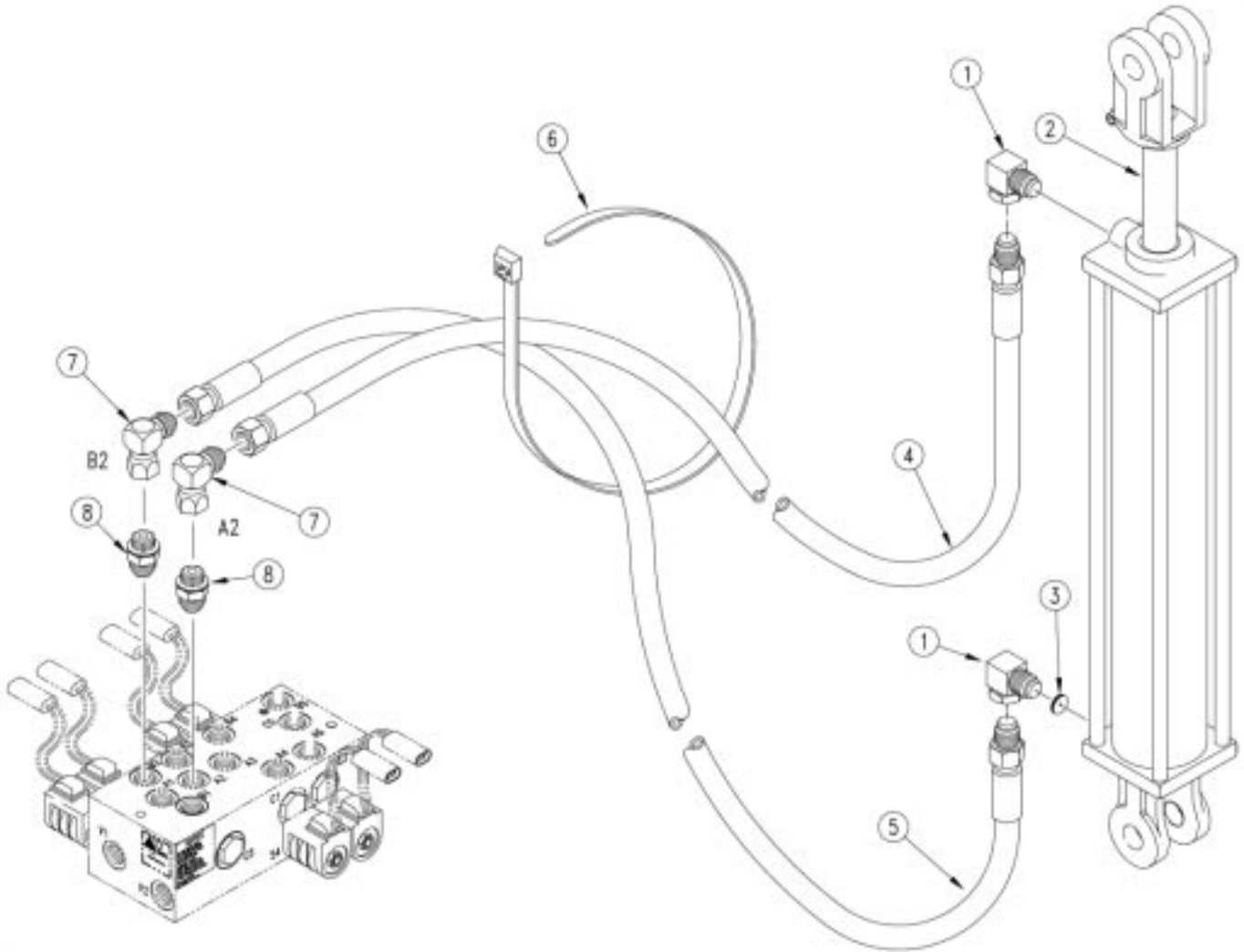
11156

**Marker Disk and Bearings**

Ref.	Part No.	Part Description	Comments
1.	113-360S	NOTILL MRKR DSK & 4BLT HUB ASY	Includes itmes 2 through 14
2.	113-345H	NO-TILL MARKER DISK SPINDLE WM	
3.	816-014C	TINE GAUGE WHEEL HUB SEAL	Includes items 3 through 6 & 9 through 12
4.	822-030C	BEARING CONE 1	
5.	822-080C	BEARING CUP L44610	
6.	802-125C	BHSNB 1/2-20X1 3/8 GR5	
7.	815-001C	TINE GW HUB	
8.	803-159C	NUT LUG 1/2-20 X 60 DEG PLT	
9.	804-025C	WASHER FLAT 3/4 SAE PLT	
10.	803-053C	NUT HEX SLOTTED 3/4-16	
11.	805-045C	PIN COTTER 5/32 X 1 1/4 LG	
12.	890-068C	GREASE CAP	
13.	113-346H	DEPTH BAND 12 4-BOLT	
14.	820-094C	16 4-BOLT NOTCHED MARKER DISK	

**Legend:** ● = 1st revision; ● = 2nd revision; ● = 3rd revision; ● = use up existing stock; ⊗ = not interchangeable; ⊗ ① ● = for example: revision 2 is not interchangeable w/revision 1

Single Marker Hydraulics



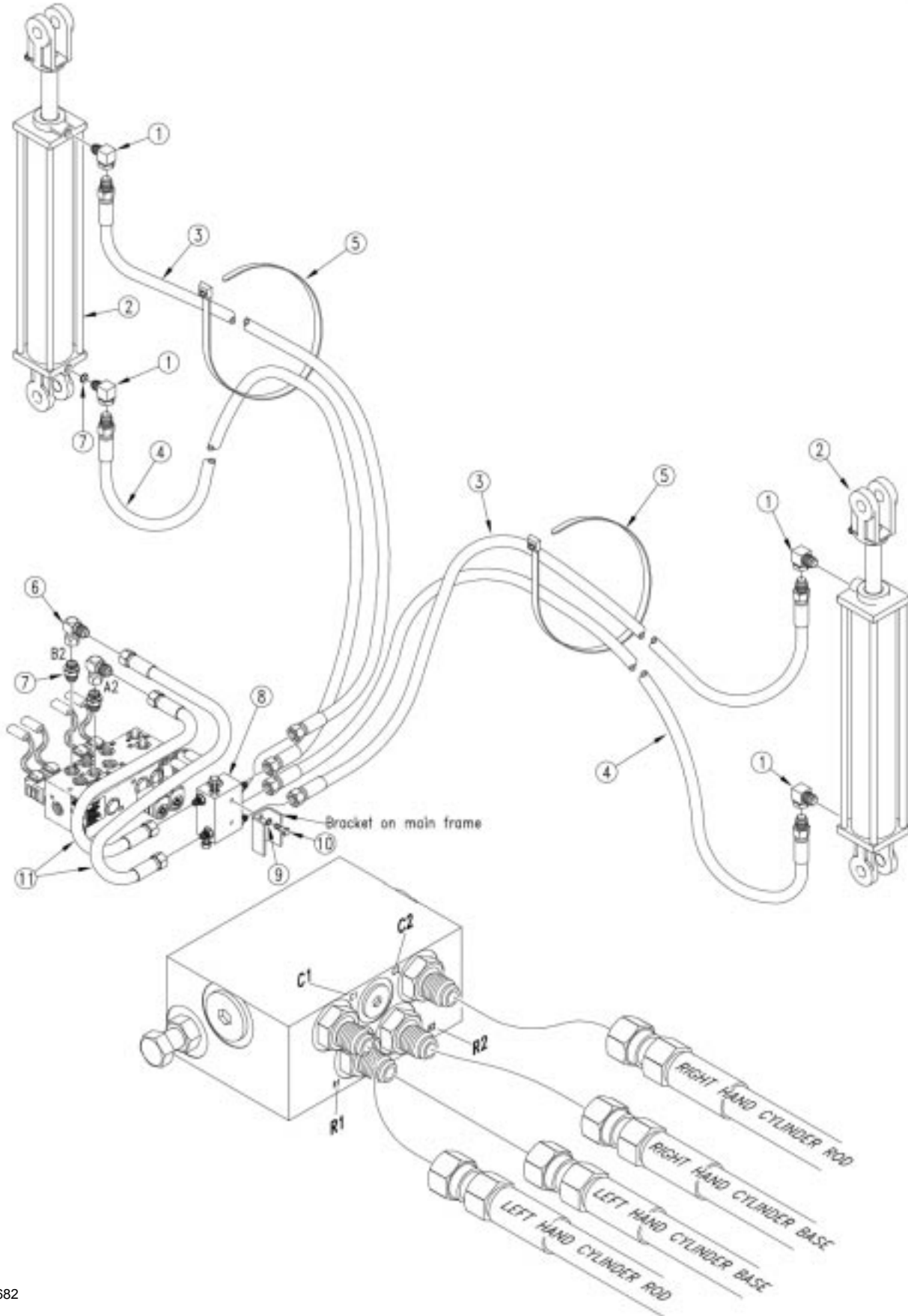
13003

**Single Marker Hydraulics**

Ref.	Part No.	Part Description	Comments
1.	811-281C	EL 3/8FNPT 9/16MORB	
2.	810-118C	CYL 2.5X20X1.12 ROD (TIE)1 PIN	Refer to page 11-11 for breakdown.
3.	811-347C	ORPL 1/16 9/16MORB	
4.	811-014C	HH1/4R1 288 9/16FJIC 3/8MNPT	
	811-035C	HH1/4R1 252 9/16FJIC 3/8MNPT	
5.	811-451C	HH1/4R1 212 3/8MNPT 9/16FJIC	
	811-035C	HH1/4R1 252 9/16FJIC 3/8MNPT	
6.	800-082C	CABLE TIE .31X21.5 6DIA 120LB	
7.	811-169C	EL 9/16MJIC 9/16FJIC	
8.	811-133C	AD 9/16MJIC 3/4MORB	

**Legend:** ● = 1st revision; ● = 2nd revision; ● = 3rd revision; ● = use up existing stock; ⊗ = not interchangeable; ⊗ ① ● = for example: revision 2 is not interchangeable w/revision 1

*Dual Marker Hydraulics*



14682

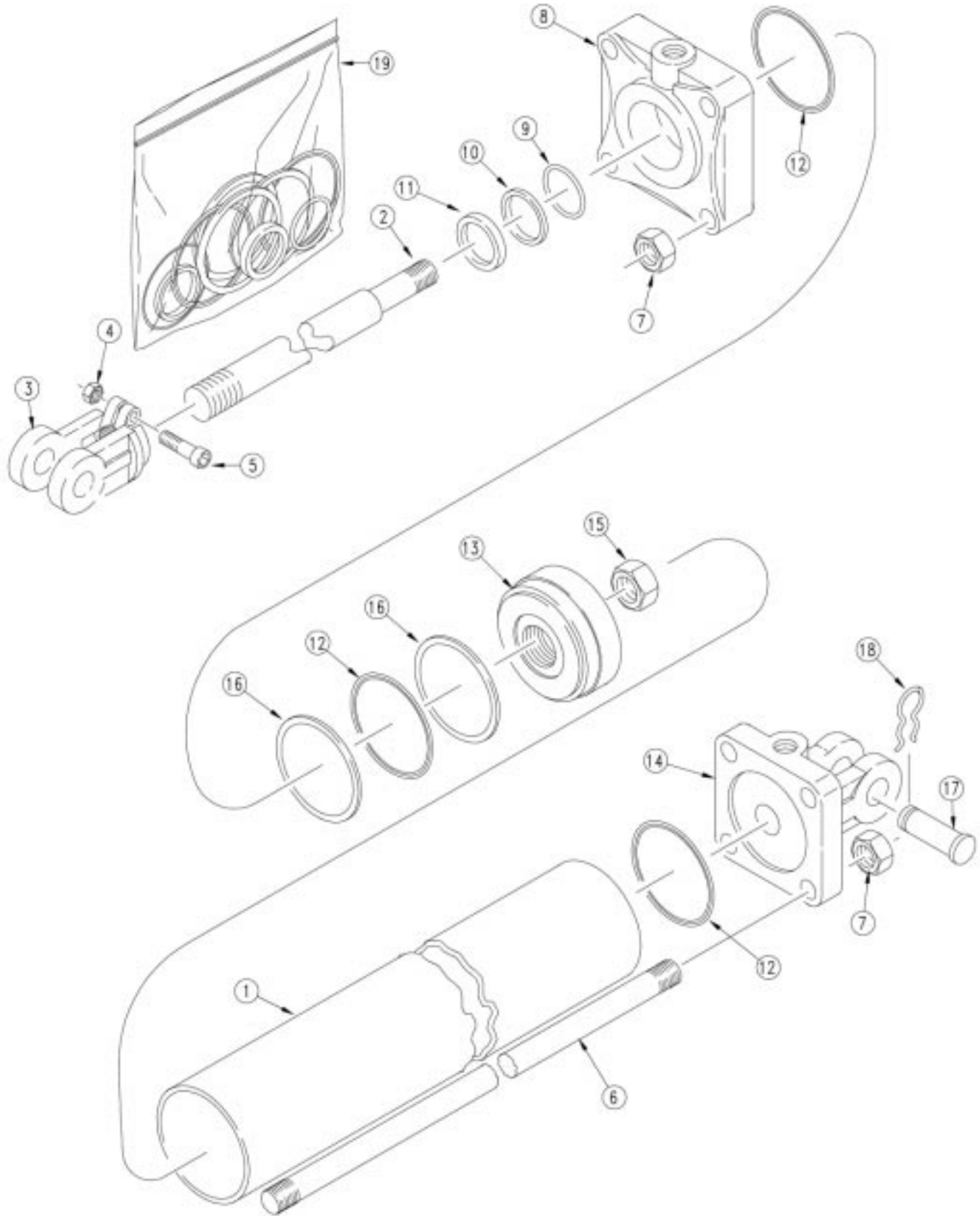


**Dual Marker Hydraulics**

Ref.	Part No.	Part Description	Comments
1.	811-281C	EL 3/8FNPT 9/16MORB	
2.	810-118C	CYL 2.5X20X1.12 ROD (TIE)1 PIN	Refer to page 11-11 for breakdown.
3.	811-014C	HH1/4R1 288 9/16FJIC 3/8MNPT	
	811-035C	HH1/4R1 252 9/16FJIC 3/8MNPT	
4.	811-451C	HH1/4R1 212 3/8MNPT 9/16FJIC	
	811-035C	HH1/4R1 252 9/16FJIC 3/8MNPT	
5.	800-082C	CABLE TIE .31X21.5 6DIA 120LB	
6.	811-169C	EL 9/16MJIC 9/16FJIC	
7.	811-133C	AD 9/16MJIC 3/4MORB	
8.	810-197C	VALVE,SEQUENCE SHOEMAKER	Refer to page 11-13 for breakdown.
9.	804-013C	WASHER LOCK SPRING 3/8 PLT	
10.	802-417C	HHCS 3/8-16X7/8 GR5	
11.	811-333C	HH1/4R1 032 9/16FJIC	

**Legend:** ● = 1st revision; ● = 2nd revision; ● = 3rd revision; ● = use up existing stock; ⊗ = not interchangeable; ⊗ ① ● = for example: revision 2 is not interchangeable w/revision 1

*Midway Hydraulic Cylinder (810-118C)*



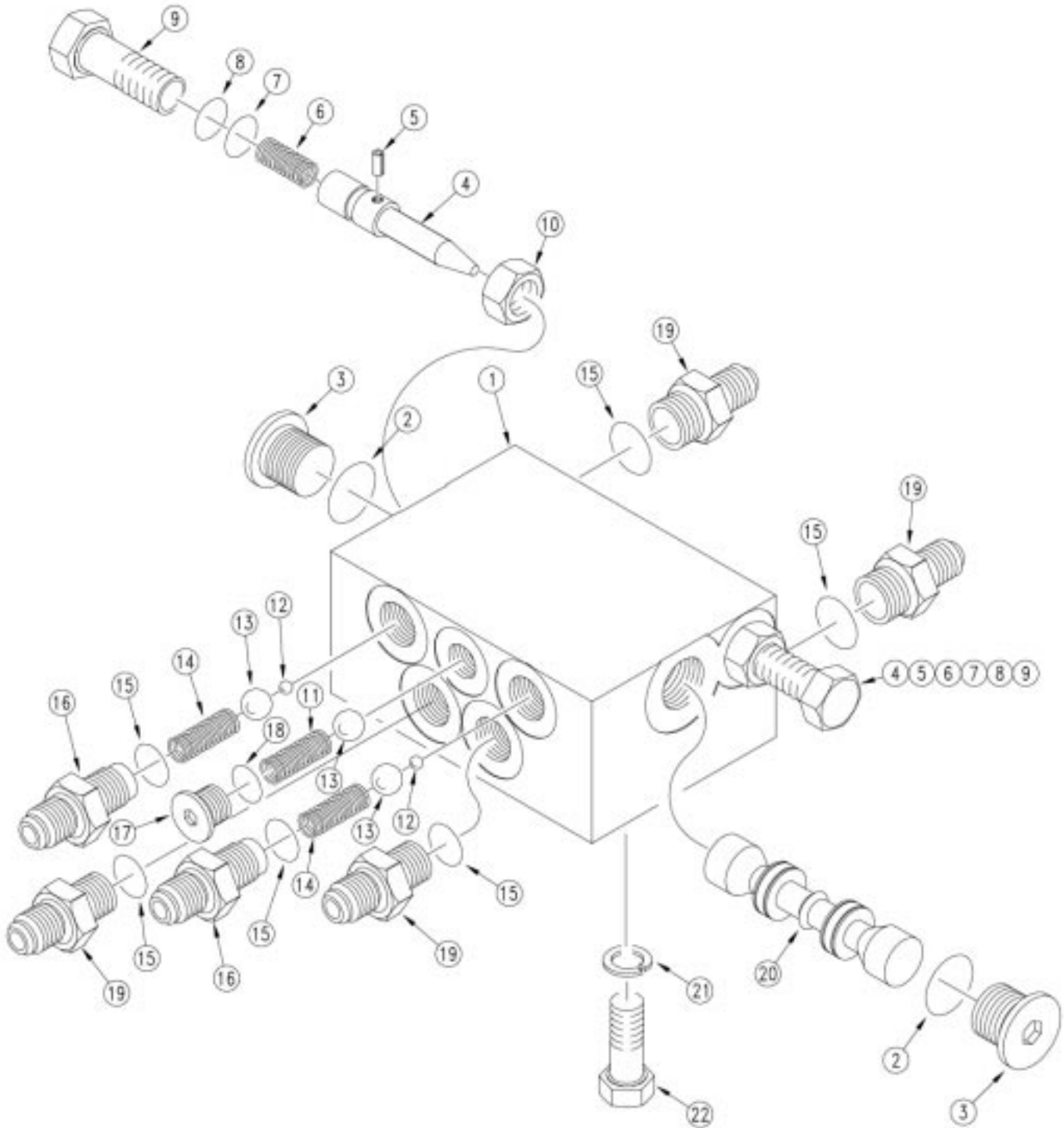
11188

**Midway Hydraulic Cylinder (810-118C)**

Ref.	Part No.	Part Description	Comments
1.	5M3128	MW TUBE 2-1/2 X 20 CYLINDER	
2.	2M3326	MW ROD	
3.	1M6006	MW ROD CLEVIS	
4.	2A0012	MW NUT CLEVIS & TIE ROD	
5.	2A0006	MW CAPSCREW	
6.	7M3328	MW TIE ROD	
7.	2A0012	MW NUT CLEVIS & TIE ROD	
8.	3M3310	MW HEAD	
9.		O-RING ROD	Only available in item 19.
10.		BACKUP ROD	Only available in item 19.
11.		ROD WIPER	Only available in item 19.
12.		O-RING PISTON	Only available in item 19.
13.	4M3102	MW PISTON 2 1/2 CYL	
14.	6M3128	MW BASE 2-1/2 X 9/16 SAE	
15.	2A0022	MW NUT, PISTON	
16.		BACKUP PISTON	Only available in item 19.
17.	2A0208	MW CLEVIS PIN	
18.	2A0132	MW PIN CLIP	
19.	810-119C	SEAL KIT 2.5 CROSS 3C4385	

**Legend:** ● = 1st revision; ● = 2nd revision; ● = 3rd revision; ● = use up existing stock; ⊗ = not interchangeable; ⊗ ① ● = for example: revision 2 is not interchangeable w/revision 1

**Marker Sequence Valve (810-197C)**



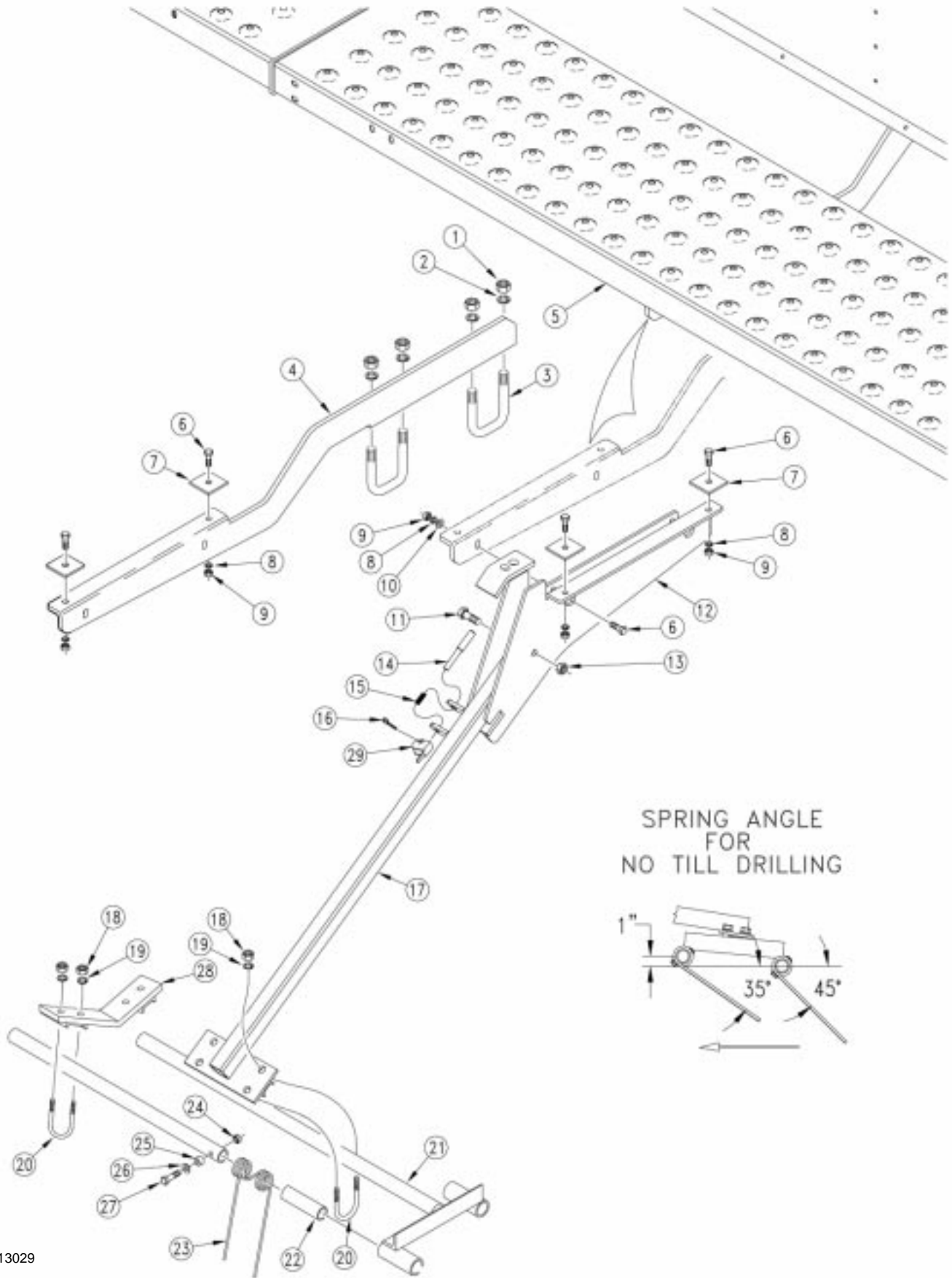
13992

**Marker Sequence Valve (810-197C)**

Ref.	Part No.	Part Description	Comments
1.	3089	SHOEMAKER BODY MKR SEQ VALVE	
2.	1088-908	SHOEMAKER O-RING	
3.	1132-08	SHOEMAKER PLUG, HEX SOCKET	
4.	1179	SHOEMAKER NEEDLE, FLOW CONTROL	
5.	1217	SHOEMAKER .125 SPRING PIN	
6.	1211	SHOEMAKER SPRING COMPRESSION	
7.	1088-011	SHOEMAKER O-RING	
8.	1089-011	SHOEMAKER TEFLON BACK UP RING	
9.	1180	SHOEMAKER SCREW, FLOW CON. ADJ.	
10.	1218	SHOEMAKER HEX, JAM NUT Z PLTD.	
11.	1099	SHOEMAKER SPRING DETENT	
12.	1087-250	BALL, STEEL 1/4" DIAMETER	
13.	1087-437	SHOEMAKER 7/16 DIA STEEL BALL	
14.	1042	SPRING	
15.	1088-906	SHOEMAKER O-RING	
16.	1182	SHOEMAKER FITTING PORT ADPT.	
17.	1132-05	SHOEMAKER HEX, SKT O-RING PLUG	
18.	1088-905	SHOEMAKER O-RING	
19.	1092-6	SHMKR ST CNTR REPL BY 1092-6-6	
20.	2153	SHOEMAKER SPOOL, MKR SEQ. .055	
21.	804-013C	WASHER LOCK SPRING 3/8 PLT	
22.	802-014C	HHCS 3/8-16X3/4 GR5	

**Legend:** ● = 1st revision; ● = 2nd revision; ● = 3rd revision; ● = use up existing stock; ⊗ = not interchangeable; ⊗ ① ● = for example: revision 2 is not interchangeable w/revision 1

Harrow



13029

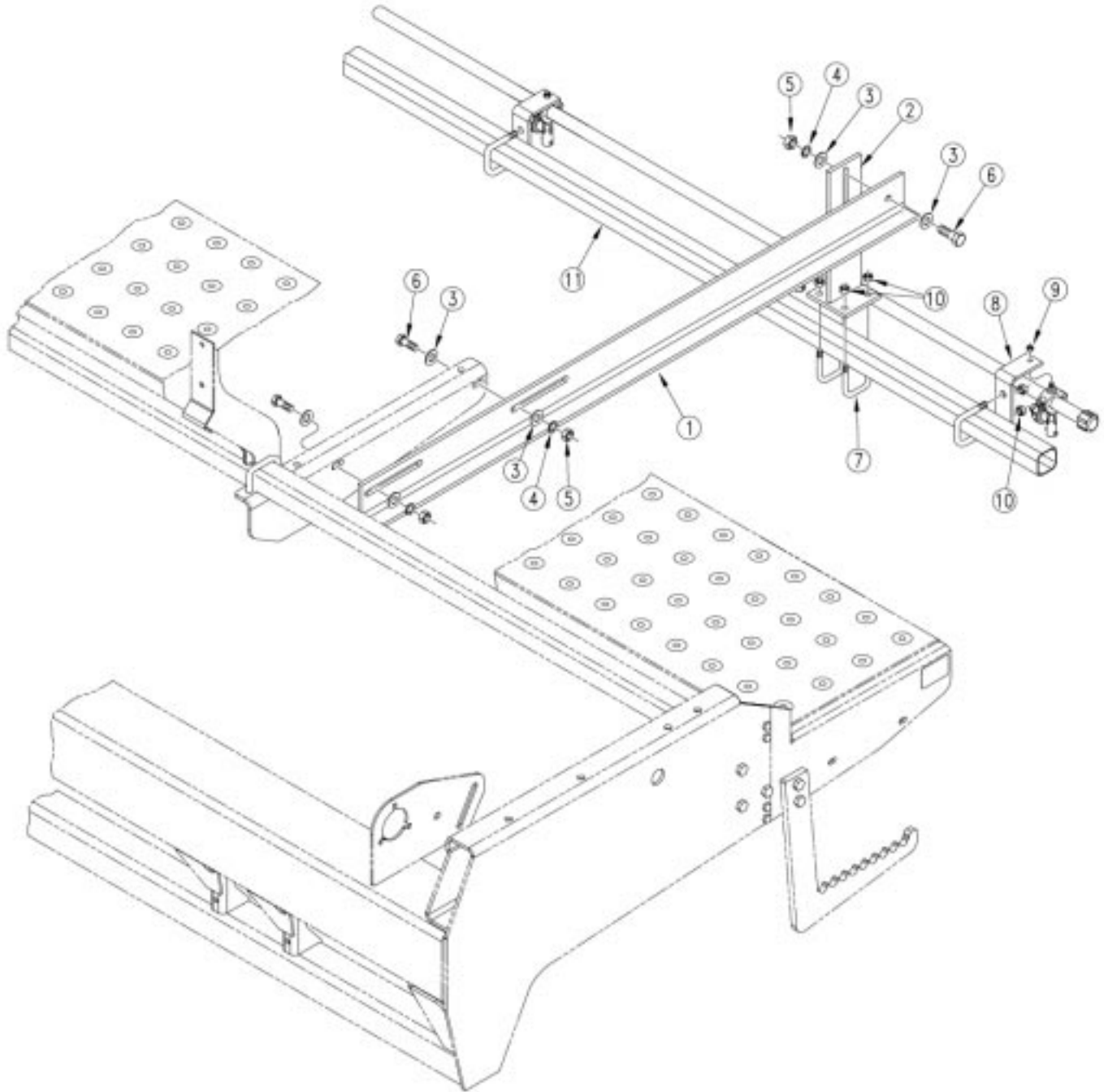
**Harrow**

Ref.	Part No.	Part Description	Comments
1.	803-021C	NUT HEX 5/8-11 PLT	
2.	804-022C	WASHER LOCK SPRING 5/8 PLT	
3.	806-113C	U-BOLT 5/8-11 X 2 1/32 X 4 3/8	
4.	119-208D	2SNT WALKBOARD SUPPORT	
5.		WALKBOARD	
6.	802-079C	HHCS 3/8-16X1 1/4 GR5	
7.	119-032D	3-PT STEP RETAINER	
8.	804-013C	WASHER LOCK SPRING 3/8 PLT	
9.	803-014C	NUT HEX 3/8-16 PLT	
10.	804-012C	WASHER FLAT 3/8 SAE PLT	
11.	802-226C	HHCS 1/2-13X2 3/4 GR5	
12.	116-125H	HARROW BRACKET WELDMENT LH	
	116-126H	HARROW BRACKET WELDMENT RH	
13.	803-147C	NUT HEX NYLOCK 1/2-13	
14.	113-164D	MARKER LOCK PIN	
15.	807-031C	MARKER LOCK SPRING	
16.	805-045C	PIN COTTER 5/32 X 1 1/4 LG	
17.	116-127H	HANGER ARM WELDMENT LH	
	116-128H	HANGER ARM WELDMENT RH	
18.	803-020C	NUT HEX 1/2-13 PLT	
19.	804-015C	WASHER LOCK SPRING 1/2 PLT	
20.	806-046C	U-BOLT 1/2-13 X 1 3/8X2 3/4 LG	
21.	116-064H	20' FRAME WELDMENT	
	116-065H	15' FRAME WELDMENT	
22.	116-116D	14' TINE TUBE	
	116-114D	15' TINE TUBE	
	116-176D	24' 2SNT HARROW TINE TUBE-134	
	116-186D	24' 2SNT HARROW TINE TUBE-142	
23.	807-079C	HARROW DBL TORSION SPRG 11 IN	
24.	803-084C	NUT HEX NYLOCK 5/16-18 PLT	
25.	890-351C	BUSHING 5/8 OD X 11/32 ID	
26.	804-010C	WASHER FLAT 5/16 USS PLT	
27.	802-138C	HHCS 5/16-18X2 1/4 GR5	
28.	116-062H	CENTER BRACE WELDMENT	
29.	116-183D	HARROW LOCKUP HANDLE	

**Legend:** ● = 1st revision; ● = 2nd revision; ● = 3rd revision; ● = use up existing stock; ⊗ = not interchangeable; ⊗ ① ● = for example: revision 2 is not interchangeable w/revision 1



*Drill Boom Mounting*



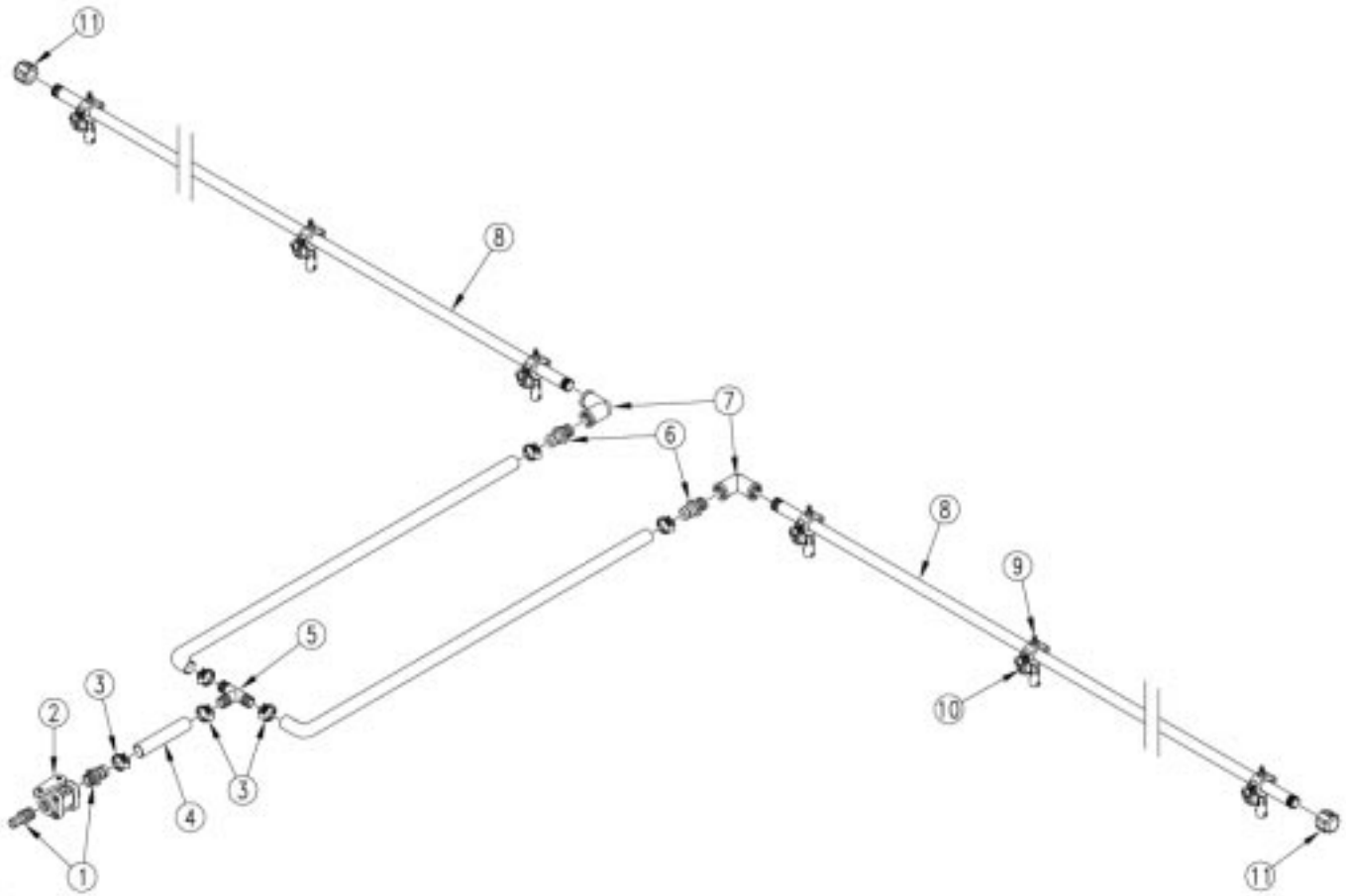
18177

**Drill Boom Mounting**

Ref.	Part No.	Part Description	Comments
1.	116-222D	HANGER MOUNT	
2.	116-193H	2SNT HANGER WELDMENT	
3.	116-197H	3PT HANGER WELDMENT	
4.	804-011C	WASHER FLAT 3/8 USS PLT	
5.	804-013C	WASHER LOCK SPRING 3/8 PLT	
6.	803-014C	NUT HEX 3/8-16 PLT	
7.	802-079C	HHCS 3/8-16X1 1/4 GR5	
8.	806-107C	U-BOLT 5/16-18 X 1 17/32X2 1/8	
9.	116-214D	NOZZLE BRACKET	
10.	803-187C	NUT HEX WHIZ 1/4-20 18-8 SS	
11.	803-199C	NUT HEX FLANGE 5/16-18 PLT	
12.	116-213D	30' BOOM MOUNT TUBE	For 2N3010.
	116-219D	24' LH BOOM MOUNT TUBE	For 2N2410 left hand.
	116-220D	24' RH BOOM MOUNT TUBE	For 2N2410 right hand.

**Legend:** ● = 1st revision; ● = 2nd revision; ● = 3rd revision; ● = use up existing stock; ⊗ = not interchangeable; ⊗ ① ● = for example: revision 2 is not interchangeable w/revision 1

*Drill Boom Plumbing*



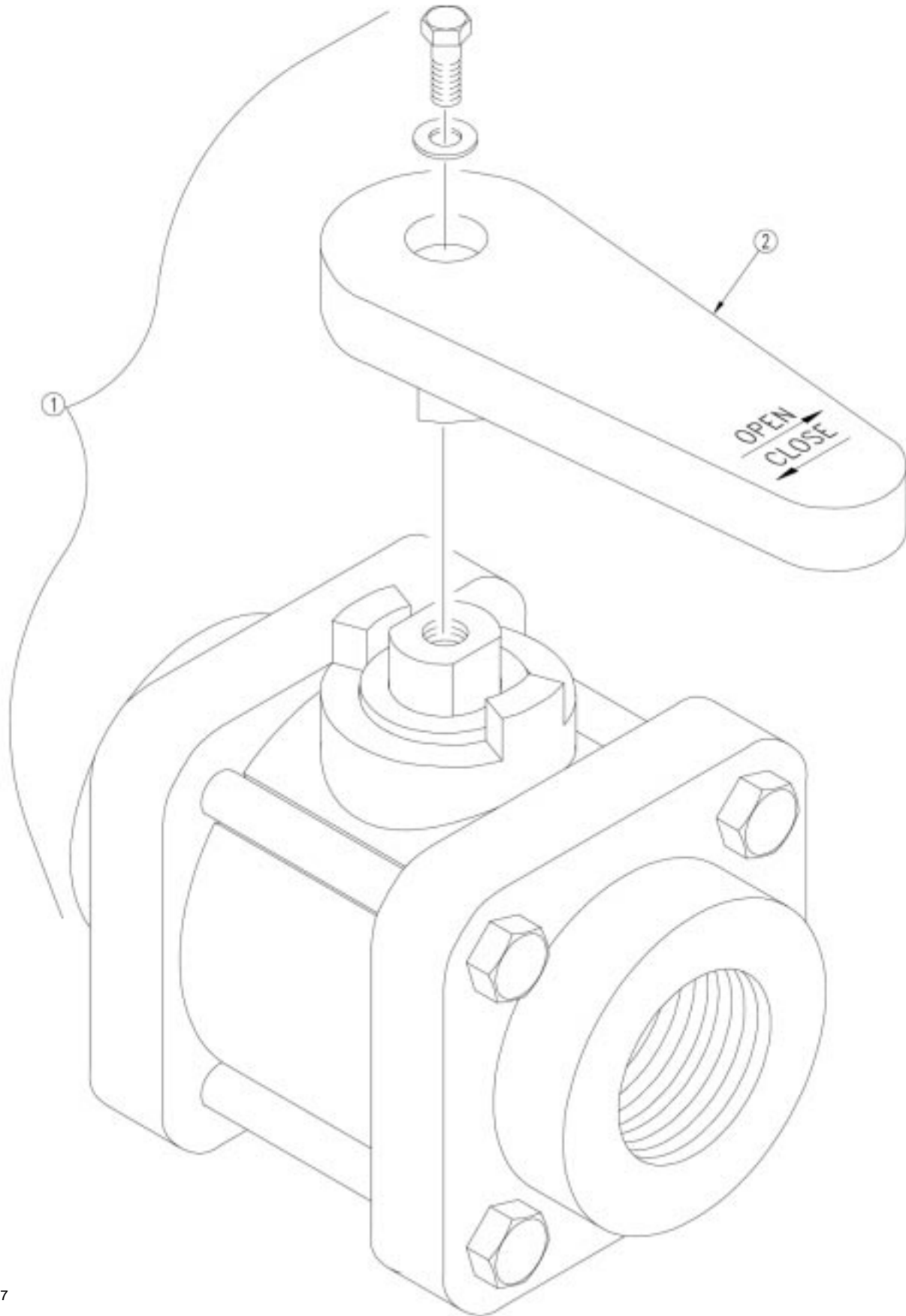
18176

**Drill Boom Plumbing**

Ref.	Part No.	Part Description	Comments
1.	830-087C	AD 1MNPT X 1HB POLYPROP	
2.	829-011C	VALVE - 1FNPT BALL POLYPROP	Refer to page 13-5 for breakdown.
3.	800-127C	CLAMP WRM DRV #12 SS(.56-1.25)	
4.	990-082R	HOSE 1 ID 200PSI EPDM	
5.	830-013C	TEE 1HB POLYPROP	
6.	830-085C	AD 3/4MNPT X 1HB POLYPROP	
7.	830-034C	EL 3/4FNPT POLYPROP	
8.	116-216D	166 WET BOOM TUBE	For 2N3010.
	116-217D	126 WET BOOM TUBE	For 2N2410 left hand.
	116-218D	146 WET BOOM TUBE	For 2N3010 right hand.
9.	802-012C	HHCS 5/16-18X1 1/2 GR5	
10.	829-089C	NOZZLE BODY 3/4 WET BOOM CLAMP	Refer to page 13-7 for breakdown.
11.	830-061C	CA 3/4MNPT POLYPROP	

**Legend:** ● = 1st revision; ● = 2nd revision; ● = 3rd revision; ● = use up existing stock; ⊗ = not interchangeable; ⊗ ① ● = for example: revision 2 is not interchangeable w/revision 1

*Ball Valve*



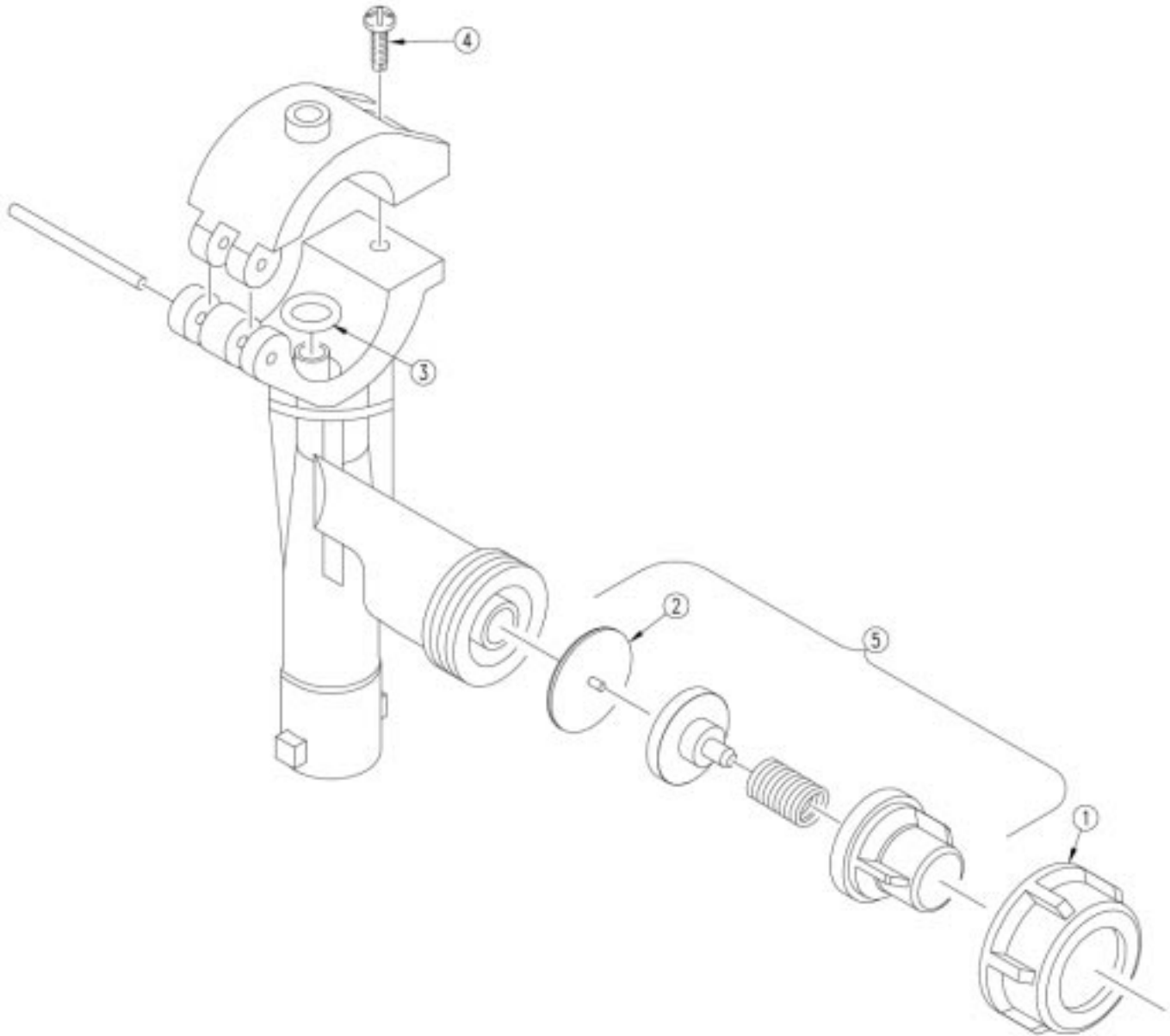
14407

**Ball Valve**

Ref.	Part No.	Part Description	Comments
1.	829-011C	VALVE - 1"FNPT BALL POLYPROP	
2.	V-07153	BANJO VALVE HANDLE 1/2"-1"	

**Legend:** ① = 1st revision; ② = 2nd revision; ③ = 3rd revision; ● = use up existing stock; ⊗ = not interchangeable; ⊗ ① ② = for example: revision 2 is not interchangeable w/revision 1

*Spraying Systems Check Valve (829-089C)*



16714

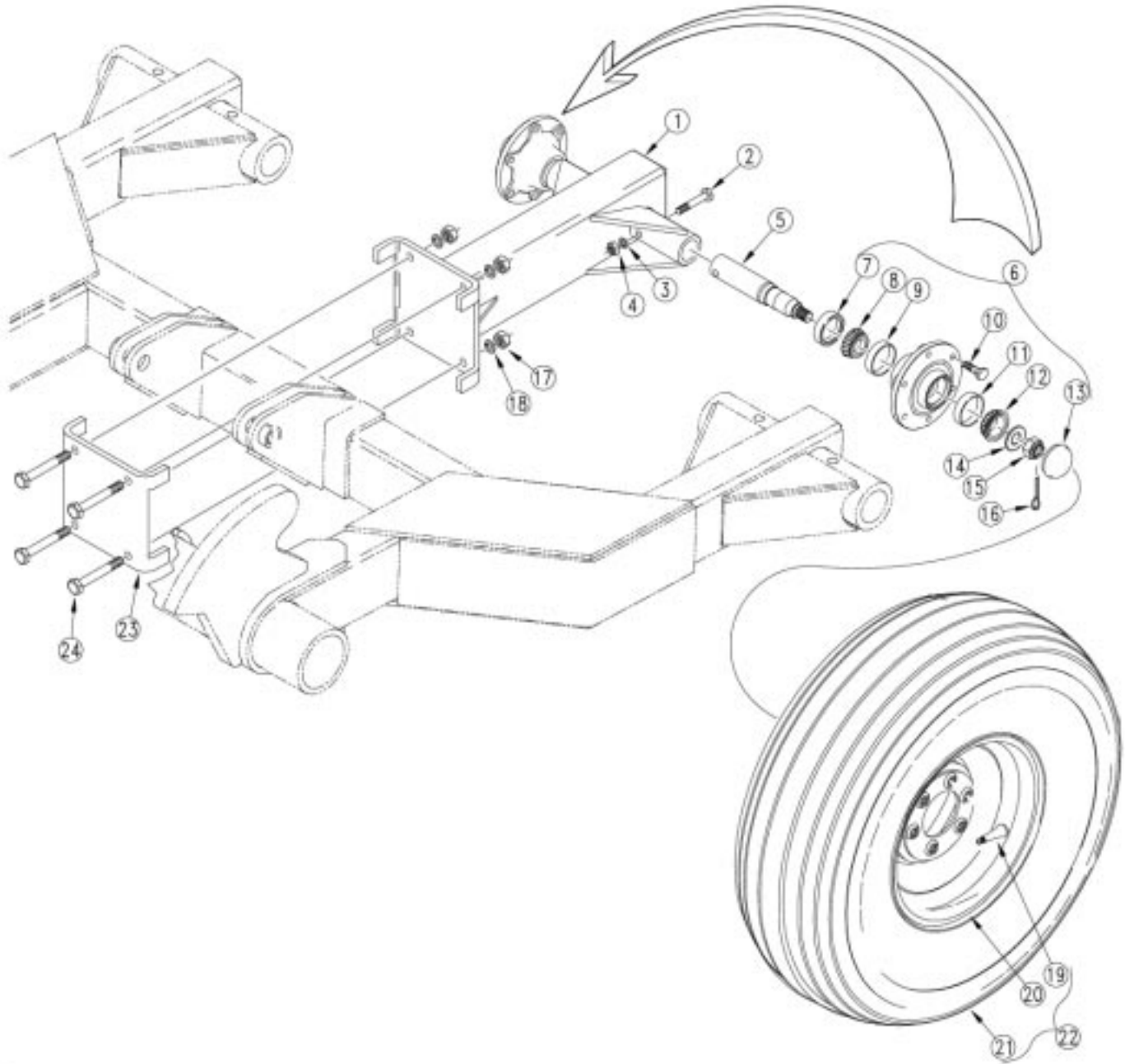


**Spraying Systems Check Valve (829-089C)**

Ref.	Part No.	Part Description	Comments
1.	20030	PRECISION CHECK VALVE FLY NUT	
2.	005865.036	PRECISION VITON DIAPHRAGM CHK	
3.	400020.030	O-RING	
4.	V2B25F	SELF THREADING SCREW SS	
5.	005860.130	PRECISION RED NOZZLE CHK VALVE	

**Legend:** ① = 1st revision; ② = 2nd revision; ③ = 3rd revision; ● = use up existing stock; ⊗ = not interchangeable; ⊗ ① ② = for example: revision 2 is not interchangeable w/revision 1

Auxiliary Axle



16094

**Auxiliary Axle**

Ref.	Part No.	Part Description	Comments
1.	⊗ ① ② 196-200H	<b>2SNT AUXILIARY AXLE 1997</b>	
	① 196-175H	<b>2SNT AUXILIARY AXLE</b>	
2.	802-099C	HHCS 1/2-13X3 1/4 GR5	
3.	804-015C	WASHER LOCK SPRING 1/2 PLT	
4.	803-020C	NUT HEX 1/2-13 PLT	
5.	196-374D	AUXILIARY AXLE SPINDLE	
6.	⊗ ① ② 815-077C	<b>HUB 6 BOLT 4 5/8 PILOT 3600 LB</b>	
	① 200-001S	<b>REPLACED BY 815-077C</b>	
7.	816-011C	SEAL 2.56X1.625X.438 CR16289	
8.	822-018C	BEARING CONE LM-29749	
9.	822-019C	BEARING CUP LM-29710	
10.	802-104C	BOLT WHEEL 1/2-20X1 90-DEG	
11.	822-020C	BEARING CUP LM-67010	
12.	822-021C	BEARING CONE LM-67048	
13.	200-001D	HUB GREASE CAP	
14.	804-055C	WASHER SPINDLE - 7/8	
15.	803-029C	NUT HEX SLOTTED 7/8-14 PLT	
16.	805-016C	PIN COTTER 3/16 X 1 1/4 PLT	
17.	803-021C	NUT HEX 5/8-11 PLT	
18.	804-022C	WASHER LOCK SPRING 5/8 PLT	
19.	814-015C	TUBE 9.5LX15-8 PLY W/CAL STEM	
20.	814-008C	WHEEL 8 X 15 X 6 BOLT	
21.	814-009C	TIRE 9.5L X 15-12 PLY-TUBELESS	
22.	102-005K	PVT PL HITCH TRNSP WHL&TIRE	
23.	196-373D	AUXILIARY AXLE MOUNT-TOP	
24.	⊗ ① ② 802-356C	<b>HHCS 5/8-11X8 1/2 GR5</b>	
	① 802-335C	<b>HHCS 5/8-11X6 1/2 GR5</b>	

**Legend:** ① = 1st revision; ② = 2nd revision; ③ = 3rd revision; ● = use up existing stock; ⊗ = not interchangeable; ⊗ ① ② = for example: revision 2 is not interchangeable w/revision 1